



Santa Rosa™ Comfort Height®

One-piece compact elongated chair height toilet
K-10491

Features

- One-piece toilets integrate the tank and bowl into a seamless, easy-to-clean design.
- Compact elongated bowl offers added comfort while occupying the same space as a round-front bowl.
- Comfort Height® feature offers chair-height seating that makes sitting down and standing up easier for most adults.
- 1.28 gpf (4.8 lpf).
- Left-hand Polished Chrome trip lever.
- Brevia™ toilet seat included.

Technology

- Single-flush gravity uses the force of gravity and a precision-engineered tank, bowl, and trapway to create a strong siphon during flushing.

Installation

- Supply line sold separately.
- Standard 12" (305 mm) rough-in.

Water Conservation & Rebates

- Eligible for consumer rebates in some municipalities.

Recommended Products/Accessories

- K-75796 Cachet® Nightlight Quiet-Close™ Elongated toilet seat
- K-8298 C³®-155 Elongated bidet toilet seat
- K-5420 Low-Profile Bolt Caps
- K-9169-L Trip lever
- K-23726 Drain treatment

Included Components

Additional Components:

Tank cover, Trip Lever, Wax ring, and Hardware kit



ADA **CSA B651** **OBC**

Codes/Standards

ASME A112.19.2/CSA B45.1
DOE - Energy Policy Act 1992
EPA WaterSense®
California Energy Commission (CEC)
ADA
ICC/ANSI A117.1
CSA B651
OBC

KOHLER® Toilets and Seats Limited Warranty

See website for detailed warranty information.

Available Colors/Finishes

Color tiles intended for reference only.

Color Code Description

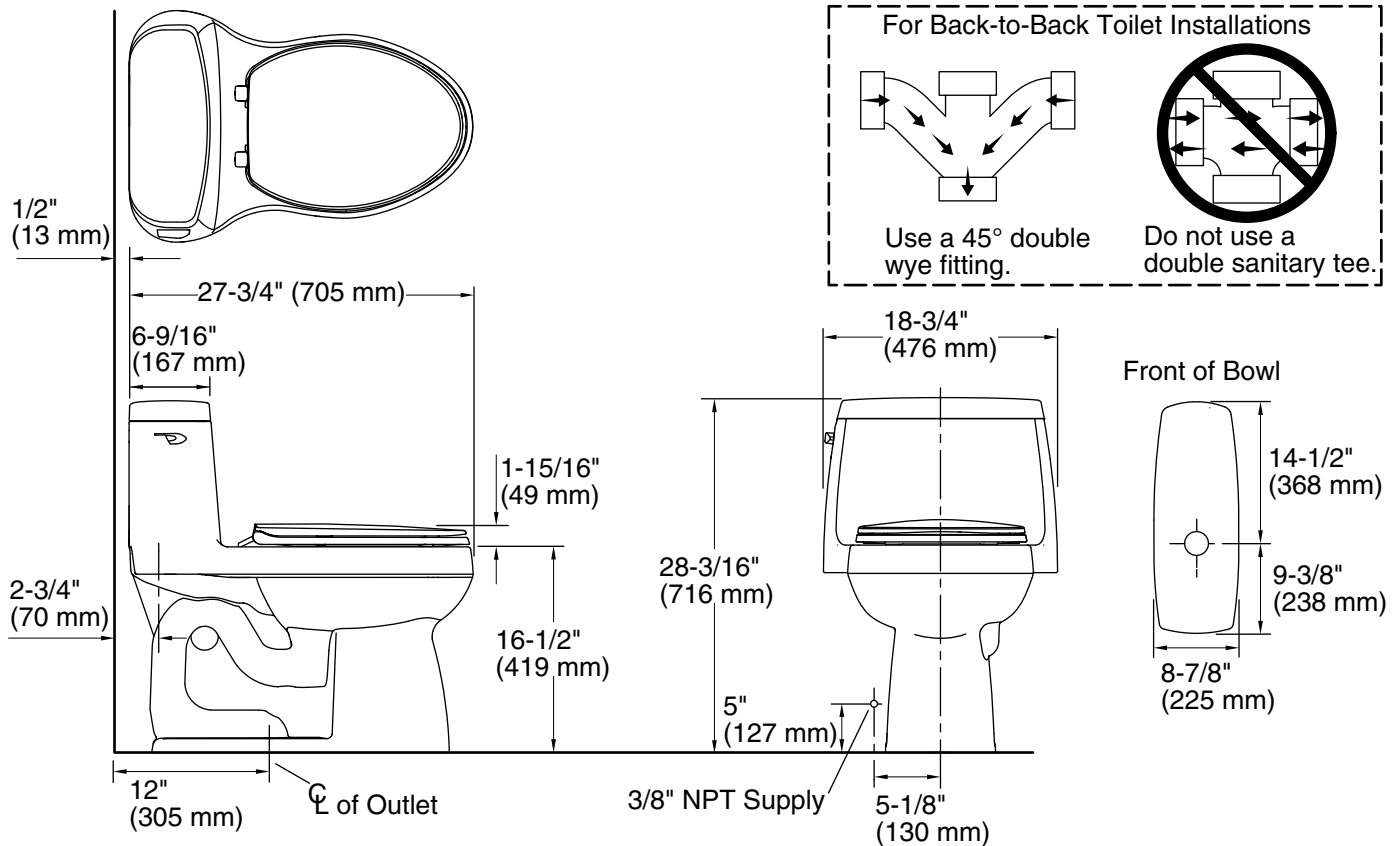
■ 0 White



Santa Rosa™ Comfort Height®

One-piece compact elongated chair height toilet

K-10491



Technical Information

All product dimensions are nominal.

Toilet type:	One-piece, Floor-mount
Trap passageway:	2-1/8" (54 mm)
Water Consumption	
Full:	1.28 gpf (4.8 lpf)
Water surface size:	11" x 8-1/8" (279 mm x 206 mm)
Rim to water surface:	6-1/4" (159 mm)
Rough-in:	12" (305 mm)
Seat-mounting holes:	5-1/2" (140 mm)

Notes

Install this product according to the installation instructions.

For back-to-back toilet installations: Use only a 45° double wye fitting.

The model is acceptable for left-hand Accessible compartment installations only.

ADA, OBC, CSA B651 compliant when installed to the specific requirements of these regulations.

Plumbing codes may require elongated toilets and elongated, open-front seats in public bathrooms.

Accessibility standards may require controls to be located on the open side of the toilet.