

FEATURES

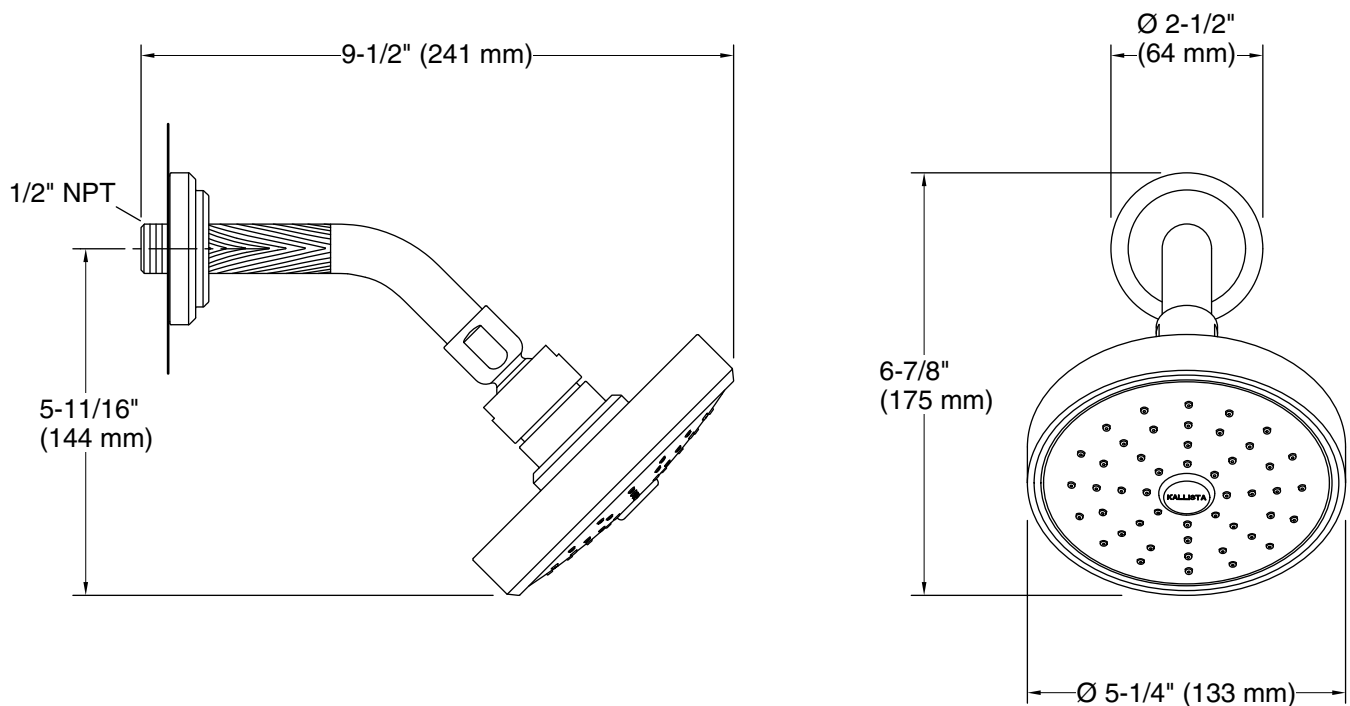
- Solid brass construction for durability and reliability
- Sprayface resists hard water build-up and is easy to clean
- 1.75 gal/min (6.6 l/min) flow rate
- Air-induction technology
- Complements the Pinna Paletta collection

CODES/STANDARDS APPLICABLE

Specified model meets or exceeds the following:

- ASME A112.18.1/CSA B125.1
- EPA WaterSense® (Pending)

P24940



SPECIFIED MODEL

Model	Description	Finishes
P24940-CPH	Pinna Paletta Air-Induction Showerhead w/Polished Chrome Accented Arm	<input type="checkbox"/> CP Polished Chrome
P24940-AD	Pinna Paletta Air-Induction Showerhead w/Nickel Silver Accented Arm	<input type="checkbox"/> AD Nickel Silver
P24940-ADW	Pinna Paletta Air-Induction Showerhead w/Antique Nickel Silver Accented Arm	<input type="checkbox"/> AD Nickel Silver
P24940-ABW	Pinna Paletta Air-Induction Showerhead w/Antique American Bronze Accented Arm	<input type="checkbox"/> BZ Antique Bronze
P24940-ULB	Pinna Paletta Air-Induction Showerhead w/Unlacquered Brass Accented Arm	<input type="checkbox"/> ULB Unlacquered Brass

We reserve the right to make revisions without notice in the design of products or in packaging unless this right has specifically been waived at the time the order is accepted.