

Features

- A perfect complement to our Components suite of products.
- Suitable for any living space, allowing you to create a cohesive design aesthetic throughout your home.
- Dimmable, integrated LED emits a beautiful light at the perfect color temperature.
- This piece is designed to be filled with distilled water or reverse osmosis (RO) water to reflect light throughout the room.
- Can be positioned up or down depending upon room setting.
- Suitable for damp locations, per UL 1598.

Material

- Manufactured with quality materials and complemented with a meticulous finishing process.
- Durable finishes engineered to last and designed to coordinate with KOHLER faucet finishes.

Included Components

Additional Components:
Installation hardware



Codes/Standards

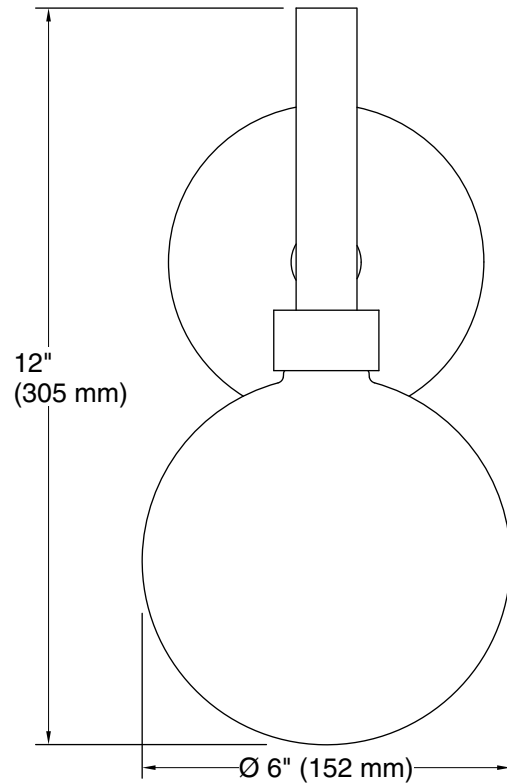
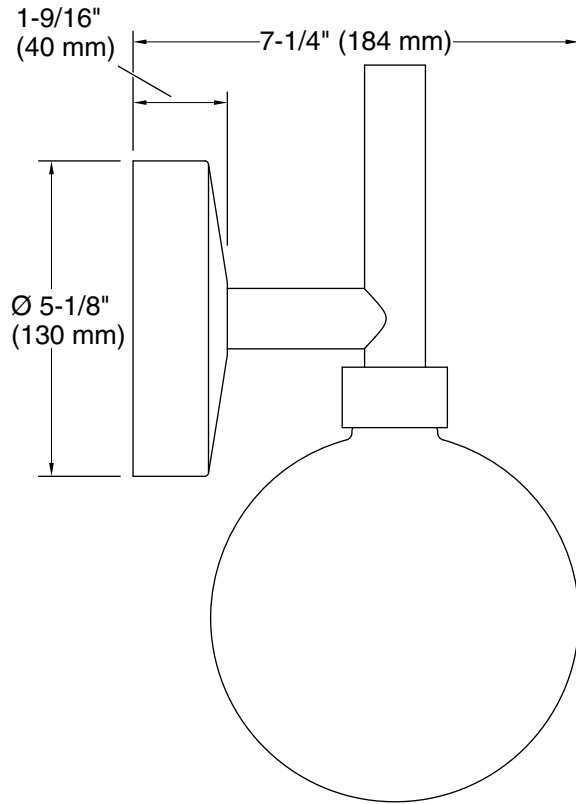
California Energy Commission (CEC)
UL 1598
CSA C22.2 No. 250
CA Title 24 JA8

See website for detailed warranty information.

Available Colors/Finishes

Color tiles intended for reference only.

Color	Code	Description
	SNL	Polished Nickel
	BGL	Moderne Brushed Gold
	CPL	Polished Chrome
	BLL	Matte Black
	2GL	Brushed Moderne Brass



Required Electrical Service

One circuit required.

Lights: 120 V, 60 Hz

Technical Information

All product dimensions are nominal.

Material: Steel, Aluminum, Glass

Lighting Type: Integrated LED

Number of Shades: 1

Shade Type: Glass - clear

Electrical component rating: LED: 60 Hz, 10 W, 450 Lumens, 3000K