



Dutchmaster Blush Floral™ Carillon®

17-3/4" round drop-in bathroom sink, no overflow

K-30333-DM1

Features

- Decorated with a dramatic floral pattern on black background
- Produced in collaboration with artist-photographer Ashley Woodson Bailey (AWB™)
- Round basin with subtle lift at edges
- Wading pool design accommodates a wide variety of faucets
- No faucet holes; requires wall- or counter-mount faucet

Material

- Vitreous china

Installation

- Drop-in

Recommended Products/Accessories

- K-23726 Drain treatment
- K-23725 Cast iron cleaner



ADA

CSA B651

Codes/Standards

ASME A112.19.2/CSA B45.1

ADA

ICC/ANSI A117.1

CSA B651

IAPMO Certification


KOHLER® One-Year Limited Warranty

See website for detailed warranty information.

Available Colors/Finishes

Color tiles intended for reference only.

Color Code Description

	0	White
---	---	-------

1-800-4KOHLER (1-800-456-4537)

Kohler Co. reserves the right to make revisions without notice to product specifications.

For the most current Specification Sheet, go to www.kohler.com USA or www.kohler.ca Canada

2-27-2024 20:11 - US

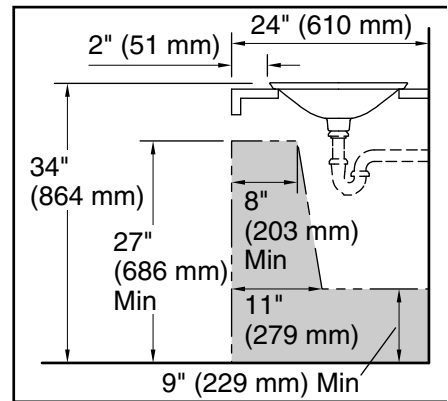
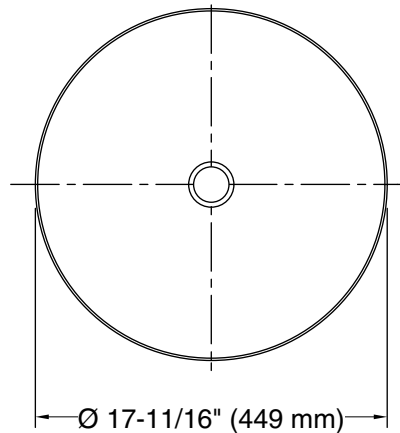
THE BOLD LOOK
OF **KOHLER**®



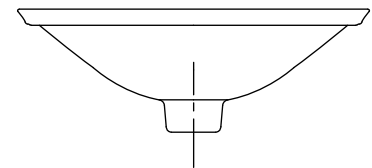
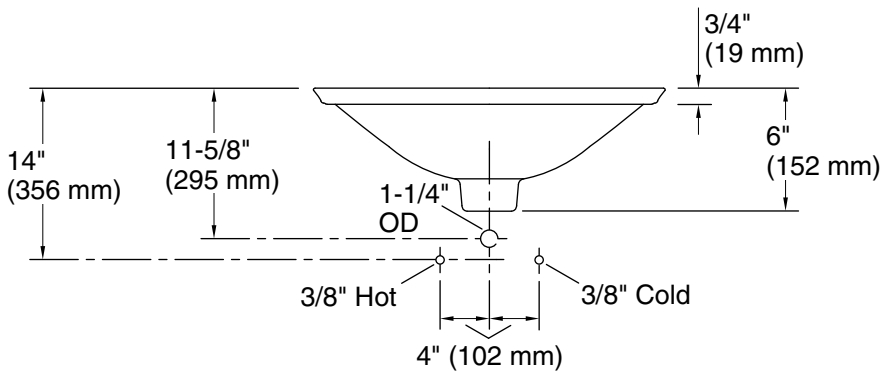
Dutchmaster Blush Floral™ Carillon®

17-3/4" round drop-in bathroom sink, no overflow

K-30333-DM1



Recommended ADA Installation



Technical Information

All product dimensions are nominal.

Bowl configuration: Single

Bowl area (Only): Length: 17-1/4" (437 mm)

Width: 17-1/4" (437 mm)

Bowl depth: 4" (102 mm)

Water depth: 4" (102 mm)

With overflow: No

Template: 1242827, required, included

Notes

Install this product according to the installation instructions.

NOTICE: Countertop manufacturer or cutter must use the current product template available at www.kohler.com, or by calling 1-800-4KOHLER. Kohler Co. is not responsible for cutout errors when the incorrect cutout template is used.

ADA, CSA B651 compliant when installed to the specific requirements of these regulations.