

Features

- Two lever handles offer separate control of hot and cold water
- 7-11/16" (195 mm) spout reach
- 1.2 gpm (4.5 lpm) maximum flow rate at 60 psi (4.14 bar)
- Coordinates with other products in the Tone collection

Material

- Premium material construction for durability and reliability
- KOHLER® finishes resist corrosion and tarnishing

Installation

- Wall-mount

Water Conservation & Rebates

- This product can help a building earn Water Efficiency points in LEED® Green Building Rating System

Required Products/Accessories

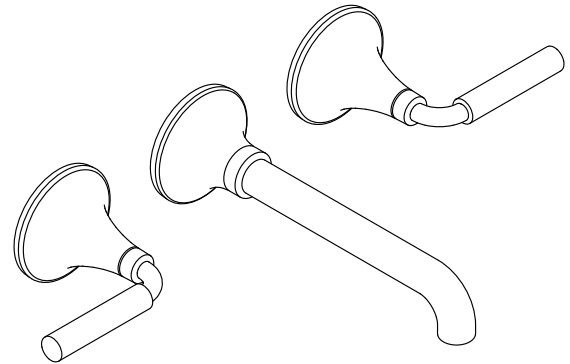
For wall-mount installation
K-410-K Wall-mount Valve

Recommended Products/Accessories

K-23726 Drain treatment
K-23723 Faucet cleaner
K-27425 18" towel bar
K-27426 24" towel bar
K-27427 Robe hook
K-27428 Towel ring
K-27429 Pivoting toilet paper holder

Optional Products/Accessories

K-7107 Decorative Drain
K-7108 Decorative Drain
K-7124 Pop-Up Clicker Drain
K-7129 Drain
K-7129-A Drain
K-8801 Sink drain and strainer with tailpiece
1008176 Handle Kit - Deep Rough-In



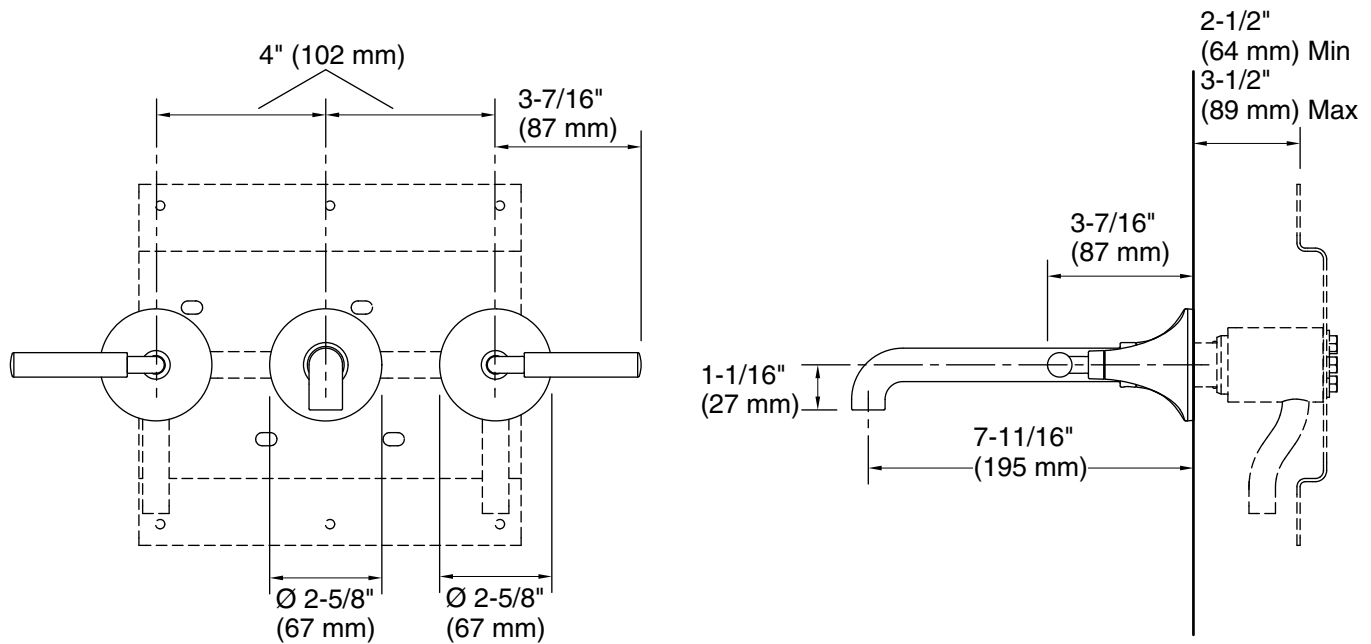
ADA CSA B651 OBC

Codes/Standards

ASME A112.18.1/CSA B125.1
NSF/ANSI/CAN 61
NSF/ANSI/CAN 372
All applicable US Federal and State material regulations
DOE - Energy Policy Act 1992
EPA WaterSense®
California Energy Commission (CEC)
ADA
ICC/ANSI A117.1
CSA B651
OBC

KOHLER® Faucet Lifetime Limited Warranty

See website for detailed warranty information.



Technical Information

All product dimensions are nominal.

Faucet:

Flow rate: 1.2 gal/min (4.5 l/min)

Pressure: 60 psi (4.1 bar)

Drain included: No

Spout:

Spout reach: 7-11/16" (195 mm)

Notes

Install this product according to the installation instructions.

ADA, OBC, CSA B651 compliant when installed to the specific requirements of these regulations.