



# Derring® Carillon®

17-3/4" round drop-in bathroom sink, no overflow  
K-17890-RL

## Features

- Round basin with carved textural pattern
- Artisanal glazes are easy to care for and durable
- Neutral hues complement a wide range of fixtures and faucets
- Natural glaze variations make each sink unique yet beautifully complementary when paired side-by-side
- Wading pool design accommodates a wide variety of faucets
- No faucet holes; requires wall- or counter-mount faucet

## Material

- Vitreous china

## Installation

- Vessel

## Recommended Products/Accessories

- K-23726 Drain treatment
- K-23725 Cast iron cleaner



ADA

CSA B651

## Codes/Standards

ASME A112.19.2/CSA B45.1  
ADA  
ICC/ANSI A117.1  
CSA B651  
IAPMO Certification

## KOHLER® One-Year Limited Warranty

See website for detailed warranty information.

## Available Colors/Finishes

*Color tiles intended for reference only.*

Color	Code	Description
-------	------	-------------



RB2	Bourbon Rutile
-----	----------------

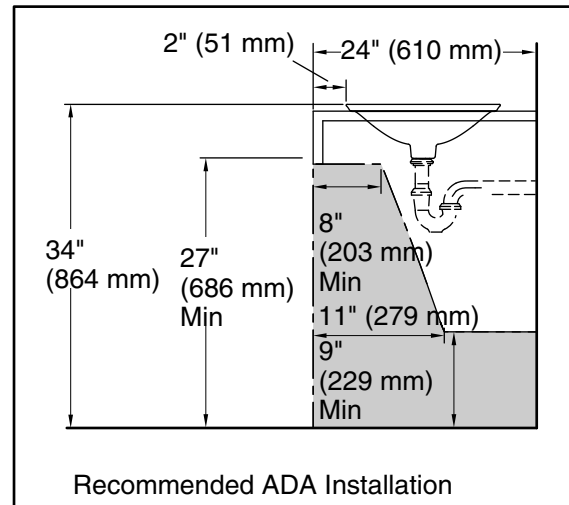
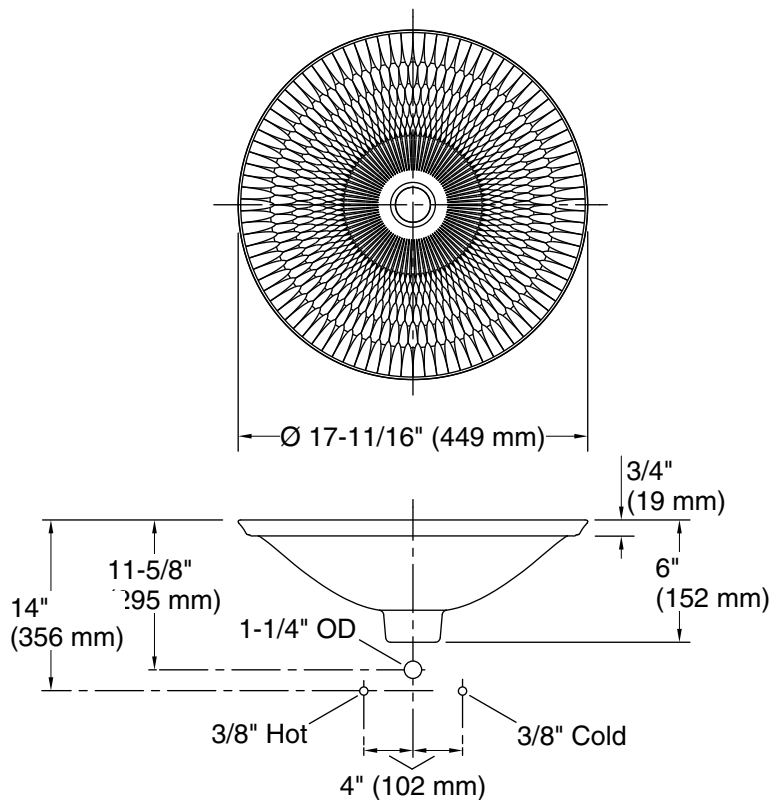
1-800-4KOHLER (1-800-456-4537)

Kohler Co. reserves the right to make revisions without notice to product specifications.

For the most current Specification Sheet, go to [www.kohler.com](http://www.kohler.com) USA or [www.kohler.ca](http://www.kohler.ca) Canada

6-4-2024 21:46 - US

THE BOLD LOOK  
OF **KOHLER**®



### Technical Information

All product dimensions are nominal.

Bowl configuration: Single

Bowl area (Only): Length: 17-1/4" (437 mm)

Width: 17-1/4" (437 mm)

Bowl depth: 4" (102 mm)

Water depth: 4" (102 mm)

Template: 1242827, required, included

### Notes

Install this product according to the installation instructions.

NOTICE: Countertop manufacturer or cutter must use the current product template available at [www.kohler.com](http://www.kohler.com), or by calling 1-800-4KOHLER. Kohler Co. is not responsible for cutout errors when the incorrect cutout template is used.

ADA, CSA B651 compliant when installed to the specific requirements of these regulations.