

Features

- Modern, simplistic exposed thermostatic column serves as a hub for shower controls
- Mechanically controlled thermostatic mixing valve maintains outlet temperature throughout shower experience
- Volume control valve provides on/off operation, outlet selection, and precise control of water volume and intensity
- Requires showerhead or rainhead, handshower, and hose (each sold separately)

Material

- Premium material construction for durability and reliability
- KOHLER finishes resist corrosion and tarnishing

Installation

- 1/2 -14 NPT connection

Recommended Products/Accessories

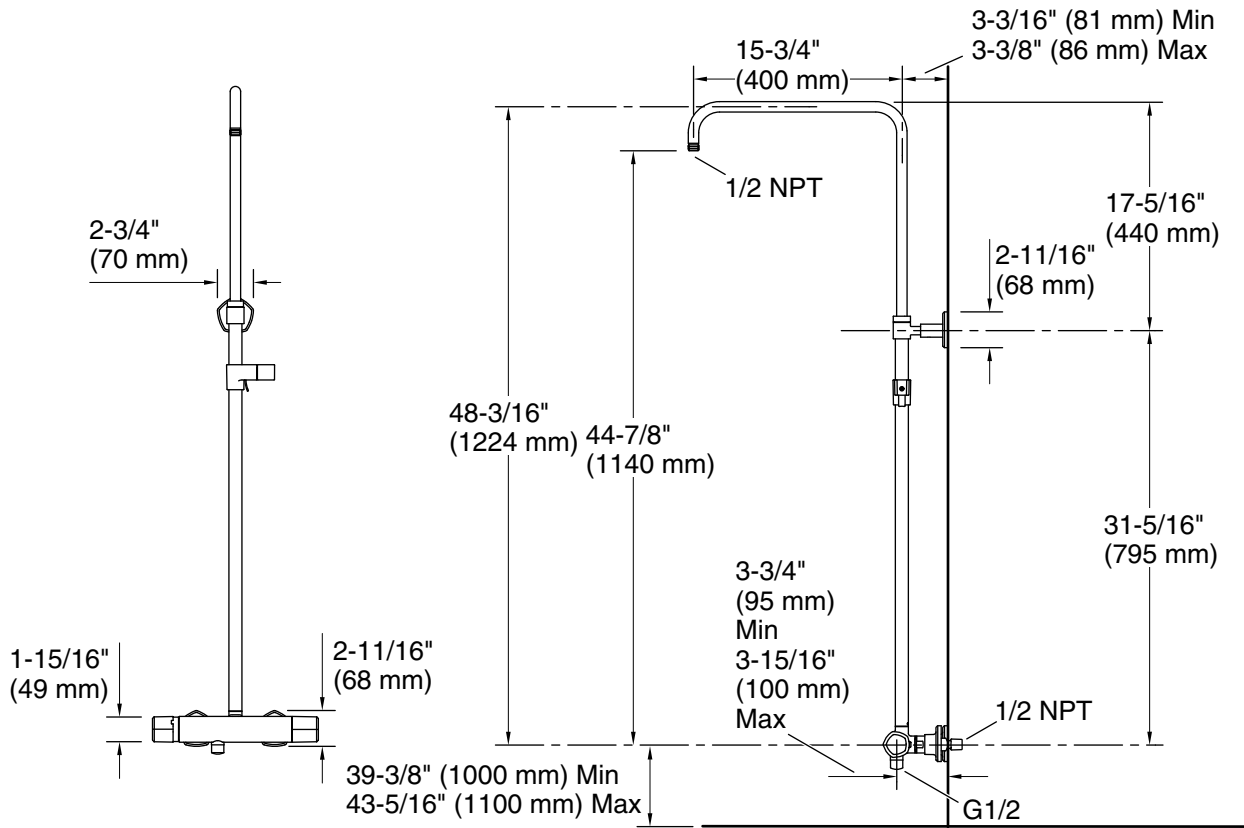
- K-27050 Single-function showerhead, 2.5 gpm
- K-27050-G Single-function showerhead, 1.75 gpm

**Codes/Standards**

ASME A112.18.1/CSA B125.1
ASSE 1016/ASME A112.1016/CSA B125.16

KOHLER® Faucet Lifetime Limited Warranty

See website for detailed warranty information.



Technical Information

All product dimensions are nominal.

Shower Valve:

Flow Rate (Max) @ 45 psi	5 gal/min (18.9 l/min)
Manufacturer's minimum rated flow:	1.3 gal/min (4.9 l/min)
Pressure:	45 psi (3.1 bar)
Maximum (Static) Pressure:	125 psi (8.6 bar)
Minimum (Operating) Pressure:	20 psi (1.4 bar)
Drain included:	No