

KOHLER®

Reach®
One-piece compact elongated toilet with skirted
trapway, dual-flush
K-3983-S

Features

- One-piece toilets integrate the tank and bowl into a seamless, easy-to-clean design
- Compact elongated bowl offers added comfort while occupying the same space as a round-front bowl
- Top-mount dual-flush actuator offers a choice of 0.8 or 1.28 gpf (3.0 or 4.8 lpf)
- Skirted trapway simplifies cleaning
- Quiet-Close™ elongated lid and seat prevents slamming
- Dual-flush flushing system

Installation

- Standard 12" (305 mm) rough-in
- Supply line sold separately

Recommended Products/Accessories

1023457 Wax Ring/Hardware Kit
1265114 Connector Hose
K-23726 Drain treatment



Codes/Standards

ASME A112.19.2/CSA B45.1
ASME A112.19.14
DOE - Energy Policy Act 1992
EPA WaterSense®
California Energy Commission (CEC)
IAPMO Certification

KOHLER® Toilets and Seats Limited Warranty

See website for detailed warranty information.

Available Colors/Finishes

Color tiles intended for reference only.

Color	Code	Description
-------	------	-------------

	0	White
---	---	-------

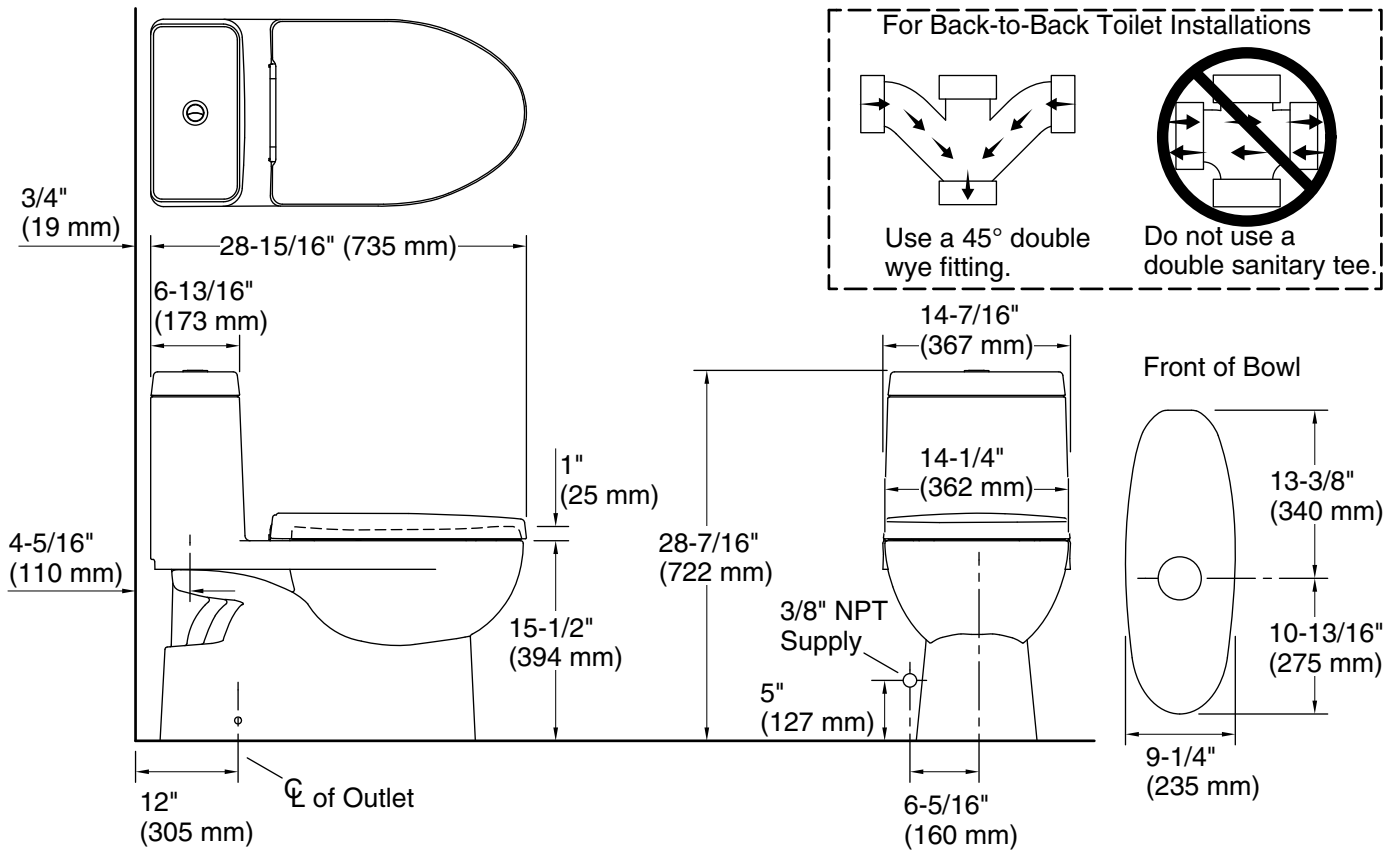
1-800-4KOHLER (1-800-456-4537)

Kohler Co. reserves the right to make revisions without notice to product specifications.

For the most current Specification Sheet, go to www.kohler.com USA or www.kohler.ca Canada

6-8-2024 20:34 - US

THE BOLD LOOK
OF **KOHLER®**



Technical Information

All product dimensions are nominal.

Toilet type:	Floor-mount
Bowl shape:	Elongated
Flush type:	Class Five
Trap passageway:	2-1/8" (54 mm)
Rim to water surface:	6-1/4" (159 mm)
Rough-in:	12" (305 mm)

Fixture Supply Requirements

Min static pressure:	20 psi (137.9 kPa)
Max static pressure:	80 psi (551.6 kPa)

Notes

Install this product according to the installation instructions.

For back-to-back toilet installations: Use only a 45° double wye fitting.

IMPORTANT! The rough-in must be 12" (305 mm) or more from the base of the wall or baseboard. Install or relocate the supply and outlet as necessary to conform to rough-in dimensions.

If this toilet is installed in new construction, install a new supply stop following the dimensions in the diagram.

In installations with the supply stop installed, the existing supply stop may need to be relocated if it is less than 8-1/2" (216 mm) from the centerline of the toilet. Dry fit the toilet to confirm if the supply stop needs to be relocated.