



# Executive Chef™

33" undermount double-bowl kitchen sink  
K-5931-4U

## Features

- 36" minimum base cabinet width
- Large/medium bowls
- 9-3/4" depth left bowl and 7-3/4" depth right bowl
- Three oversized faucet holes with one oversized accessory hole to the right
- Oversized holes allow for easy installation of faucets and accessories
- Offset faucet ledge

## Material

- KOHLER® enameled cast iron

## Installation

- Undermount

## Recommended Products/Accessories

- K-6001 Left-Bowl Sink Rack
- K-8801 Sink drain and strainer with tailpiece
- K-8799 Sink drain and strainer basket
- K-23726 Drain treatment
- K-23725 Cast iron cleaner
- 1411886 Undermount sink kit 23"

## Optional Products/Accessories

- K-6521 Sink Basket
- K-11352 Disposal Flange with Stopper



## Codes/Standards




ASME A112.19.1/CSA B45.2

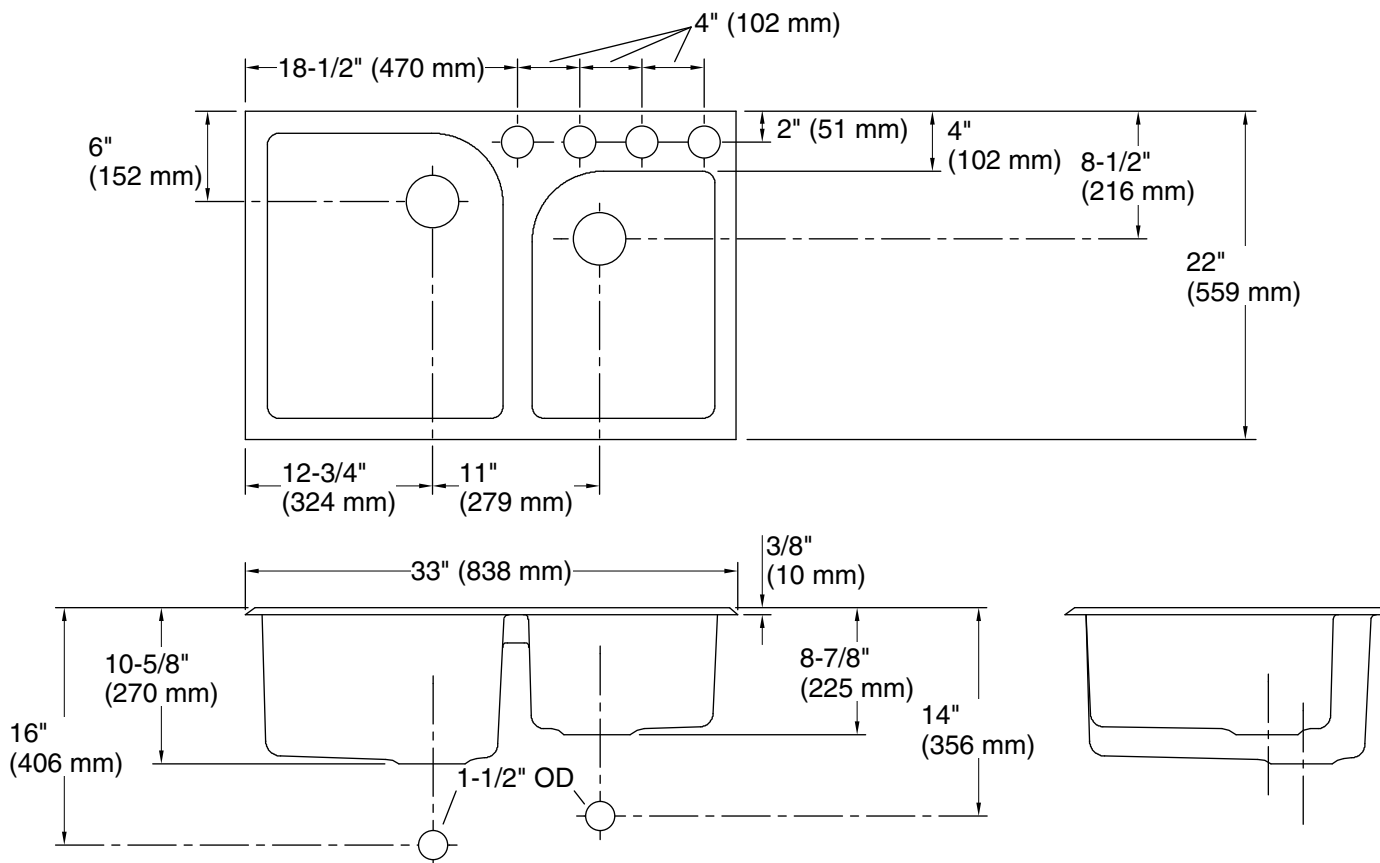
## KOHLER® Enameled Cast Iron Kitchen and Bathroom Sink Lifetime Limited Warranty

See website for detailed warranty information.

## Available Colors/Finishes

*Color tiles intended for reference only.*

Color	Code	Description
	0	White
	96	Biscuit
	7	Black Black™



### Technical Information

All product dimensions are nominal.

Bowl configuration: Off-set Large/small

Installation: Undermount

Center(s): 4

Min. base cabinet width: 36" (914 mm)

Bowl area (Left): Length: 16" (406 mm)  
Width: 19" (483 mm)  
Bowl depth: 9-3/4" (248 mm)

Bowl area (Right): Length: 12" (305 mm)  
Width: 17" (432 mm)  
Bowl depth: 7-3/4" (197 mm)

Number of deck holes: 4

Faucet hole spacing: 4" (102 mm)

Faucet hole(s): 2-3/8" (60 mm)

Drain hole: 3-5/8" (92 mm)

Template: 116808-7, required, included

### Notes

Install this product according to the installation instructions.