

Features

- A single handle controls both on/off activation and temperature setting
- 7-1/8" (181 mm) spout reach
- 1.2 gpm (4.5 lpm) maximum flow rate at 60 psi (4.14 bar)
- Coordinates with other products in the Riff collection
- This product can help a building earn Water Efficiency points in LEED® Green Building Rating System



Material

- Premium material construction for durability and reliability
- KOHLER® finishes resist corrosion and tarnishing

Installation

- Wall-mount

Recommended Products/Accessories

- K-27409 18" towel bar
- K-27410 24" towel bar
- K-27411 Double robe hook
- K-27412 Towel ring
- K-27413 Pivoting toilet paper holder

Optional Products/Accessories

- K-7107 Decorative Drain
- K-7108 Decorative Drain
- K-7114 Pop-Up Drain
- K-7114-A Pop-Up Drain
- K-7127 Drain
- K-7127-A Drain
- K-7129 Drain
- K-7129-A Bathroom sink grid drain with overflow
- K-33151 Clicker drain without overflow
- K-25322 Clicker drain with overflow



Codes/Standards

- ASME A112.18.1/CSA B125.1
- NSF/ANSI/CAN 61
- NSF/ANSI/CAN 372
- All applicable US Federal and State material regulations
- DOE - Energy Policy Act 1992
- EPA WaterSense®
- California Energy Commission (CEC)
- ADA
- ICC/ANSI A117.1
- CSA B651
- OBC
- IAPMO Certification

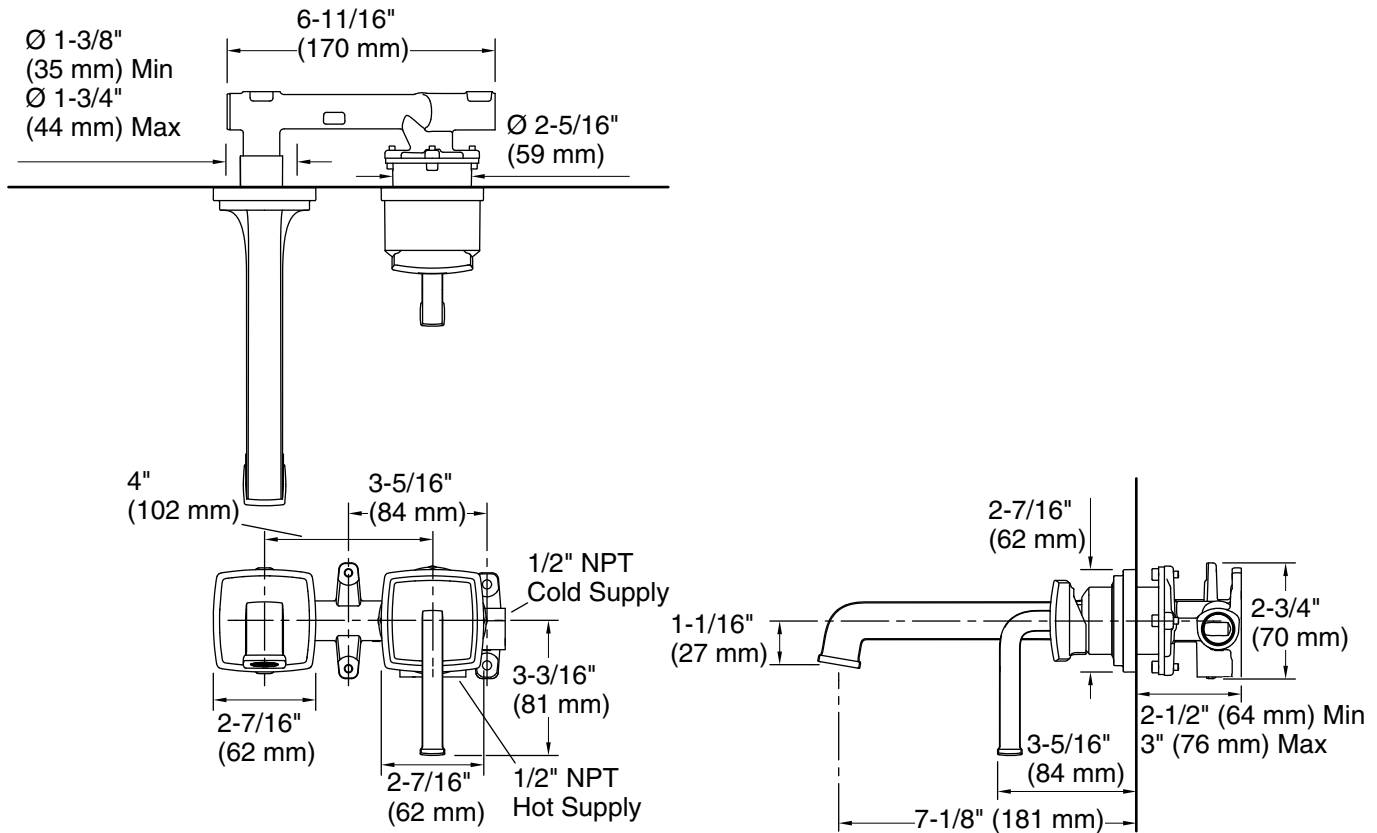
KOHLER® Faucet Lifetime Limited Warranty

See website for detailed warranty information.

Available Colors/Finishes

Color tiles intended for reference only.

Color	Code	Description
	CP	Polished Chrome
	SN	Vibrant® Polished Nickel
	BN	Vibrant® Brushed Nickel
	BL	Matte Black
	2MB	Vibrant® Brushed Moderne Brass



Technical Information

All product dimensions are nominal.

Faucet:

Flow rate: 1.2 gal/min (4.5 l/min)

Drain included: No

Spout:

Spout reach: $7\text{-}9/16''$ (193 mm)

Notes

Install this product according to the installation instructions.

ADA, OBC, CSA B651 compliant when installed to the specific requirements of these regulations.