



**Vault™**

24" undermount single-bowl kitchen sink  
**K-3822**

### Features

- 27" (686 mm) minimum base cabinet width
- Single bowl
- 9" (229 mm) depth provides generous workspace
- Rear drain placement increases cabinet storage space underneath sink
- Includes installation hardware

### Material

- Handcrafted from 18-gauge stainless steel
- Premium 18-gauge stainless steel

### Installation

- Undermount

### Recommended Products/Accessories

- K-8801 Sink drain and strainer with tailpiece
- K-8799 Sink drain and strainer basket
- K-23726 Drain treatment
- K-23729 Stainless steel cleaner

### Optional Products/Accessories

- K-6429 Utility Rack
- K-6667 Wood Cutting Board
- K-6645 Sink Rack
- K-11352 Disposal Flange with Stopper

### Included Components

- 91915 Hardware Kit



### Codes/Standards

ASME A112.19.3/CSA B45.4  
IAPMO Certification

### KOHLER® Stainless Steel Sinks Lifetime Limited Warranty

See website for detailed warranty information.

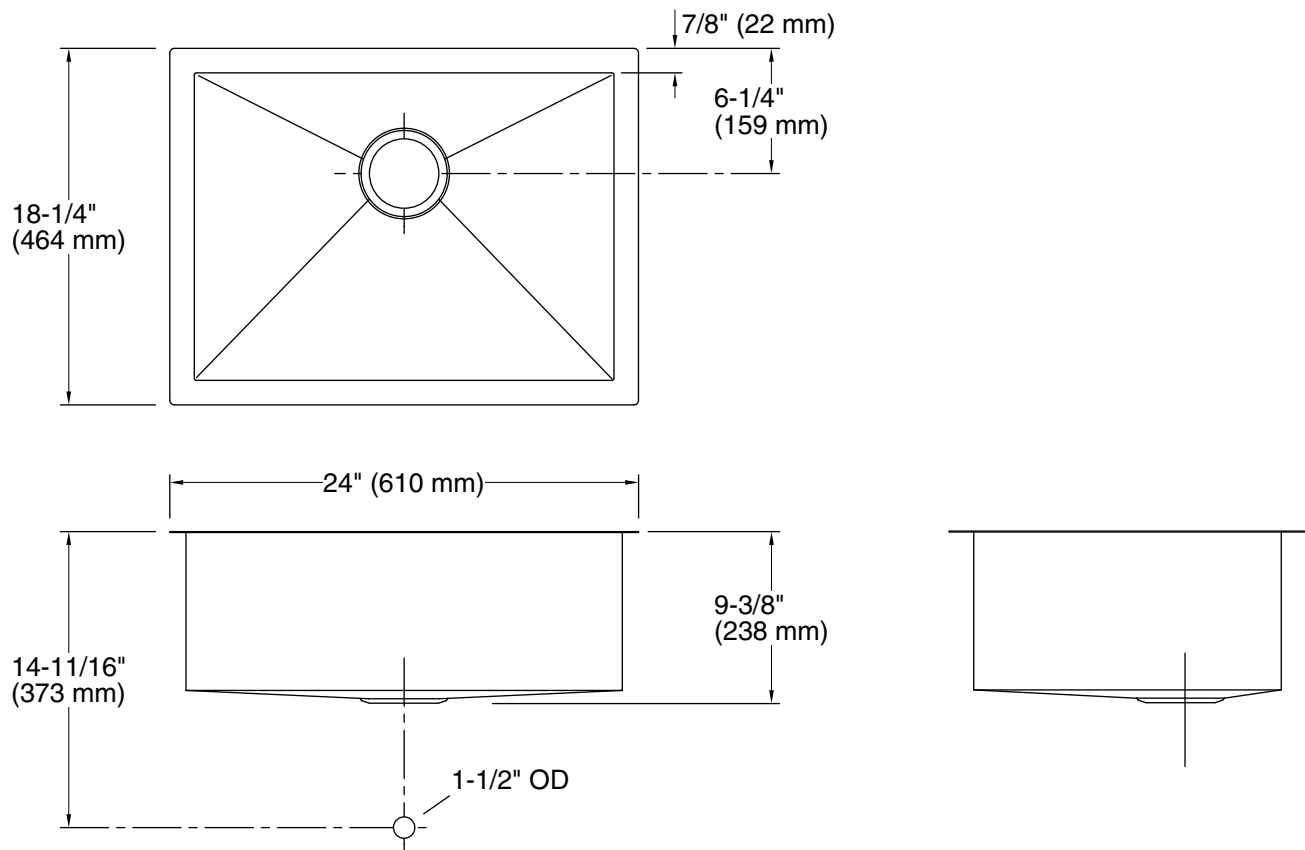
1-800-4KOHLER (1-800-456-4537)

Kohler Co. reserves the right to make revisions without notice to product specifications.

For the most current Specification Sheet, go to [www.kohler.com](http://www.kohler.com) USA or [www.kohler.ca](http://www.kohler.ca) Canada

3-13-2024 20:12 - US

THE BOLD LOOK  
OF **KOHLER**®



### Technical Information

All product dimensions are nominal.

Bowl configuration: Single

Min. base cabinet width: 27" (686 mm)

Bowl area (Only):  
 Length: 22-1/4" (565 mm)  
 Width: 16-9/16" (420 mm)  
 Bowl depth: 9" (229 mm)  
 Water depth: 9" (229 mm)

Drain hole: 3-3/4" (94 mm)

Template: 1207218-7, required, included

### Notes

Install this product according to the installation instructions.

Allow 3/4" (19 mm) clearance beyond the back of the bowl for the wood cutting board (optional accessory).