

Features

- One-piece toilets integrate the tank and bowl into a seamless, easy-to-clean design
- Compact elongated bowl offers added comfort while occupying the same space as a round-front bowl
- Comfort Height™ feature offers chair-height seating that makes sitting down and standing up easier for most adults
- 1.28 gpf (4.8 lpf)
- 2-1/8" (54 mm) fully glazed trapway
- Left-hand Polished Chrome trip lever
- Includes Reveal™ Quiet-Close™ seat

Technology

- Single-flush gravity uses the force of gravity and a precision-engineered tank, bowl, and trapway to create a strong siphon during flushing
- Class Five™ flushing technology offers virtually plug-free performance and rinsing power for a clean bowl
- Flush valve's 3:2 ratio harnesses the natural force of gravity and optimizes flush performance
- Durable canister design has 90% less exposed seal material than a 3" flapper for leak-free performance
- Light-touch canister flush requires a lower actuation force than a flapper
- Canister flush valve optimizes flush performance and resists warping and deterioration

Installation

- Standard 12" (305 mm) rough-in
- Supply line sold separately

Water Conservation & Rebates

- Eligible for consumer rebates in some municipalities

Recommended Products/Accessories

K-4108 C³™-230 Elongated bidet toilet seat with remote control
K-5420 Low-Profile Bolt Caps
1023457 Wax Ring/Hardware Kit
1265114 Connector Hose
K-23726 Drain treatment

Included Components

K-4008 Reveal™ Quiet-Close™ elongated toilet seat



ADA

CSA B651

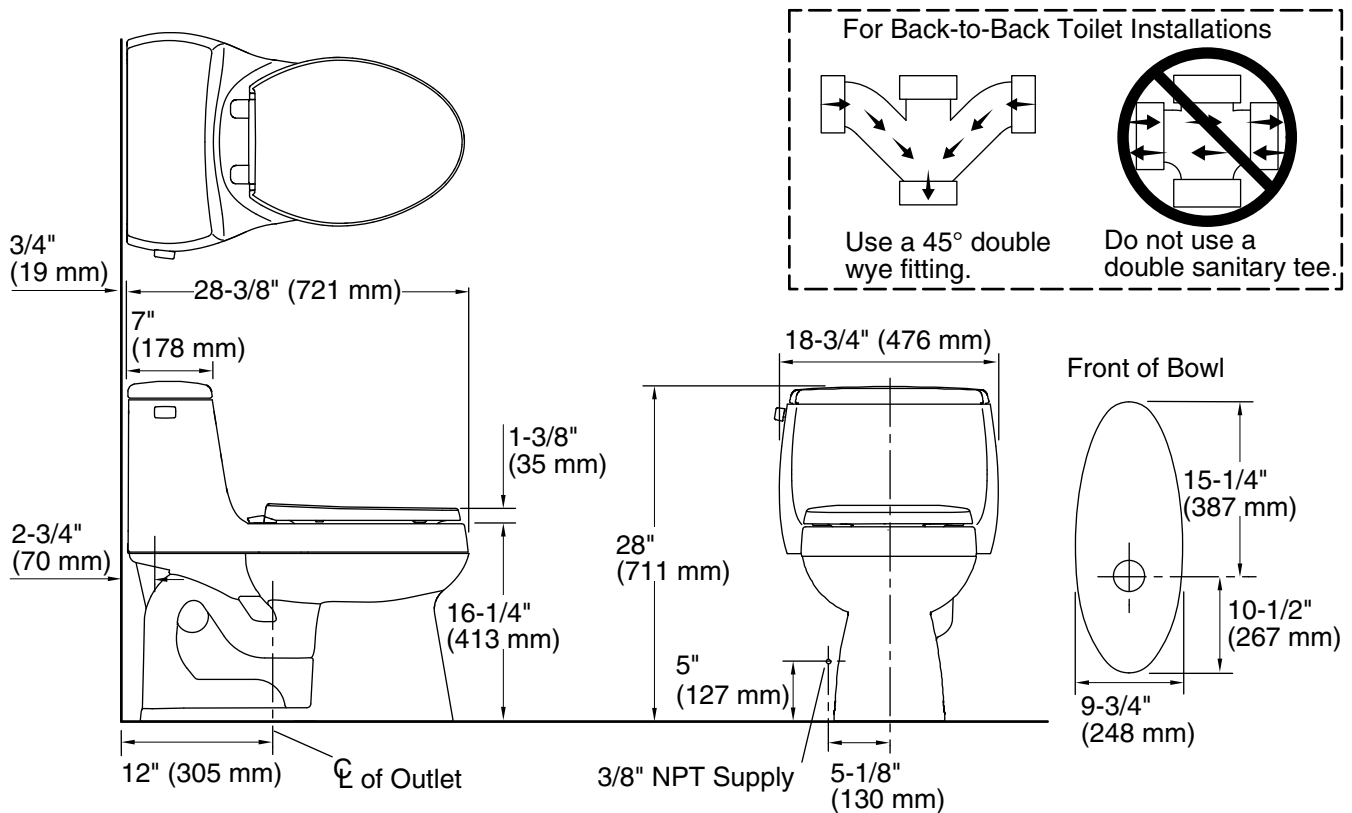
OBC

Codes/Standards

ASME A112.19.2/CSA B45.1
EPA WaterSense™
California Energy Commission (CEC)
ADA
ICC/ANSI A117.1
CSA B651
OBC

KOHLER® Toilets and Seats Limited Warranty

See website for detailed warranty information.



Technical Information

All product dimensions are nominal.

Toilet type:	Floor-mount
Waste Outlet:	Floor
Bowl shape:	Elongated
Flush type:	Class Five Single-Flush
Trap passageway:	2-1/8" (54 mm)
Water surface size:	11" x 8-1/2" (279 mm x 216 mm)
Rim to water surface:	6" (152 mm)
Rough-in:	12" (305 mm)
Seat-mounting holes:	5-1/2" (140 mm)

Notes

Install this product according to the installation instructions.

For back-to-back toilet installations: Use only a 45° double wye fitting.

The Model Plumbing Codes require the installation of elongated open-front toilet seats in public bathrooms.

ADA, OBC, CSA B651 compliant when installed to the specific requirements of these regulations.

Plumbing codes may require elongated toilets and elongated, open-front seats in public bathrooms.

Accessibility standards may require controls to be located on the open side of the toilet.