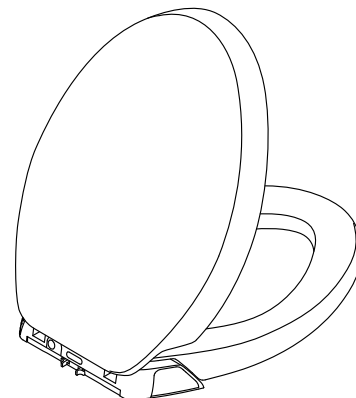


## Features

- Polypropylene plastic
- Elongated closed-front
- Contoured seat for user comfort
- Deodorizing System
- Dual LED Nightlight
- Battery operated (two D batteries required)
- Easy-to-replace accessories



## Codes/Standards

IAPMO/ANSI Z124.5



## KOHLER® One-Year Limited Warranty

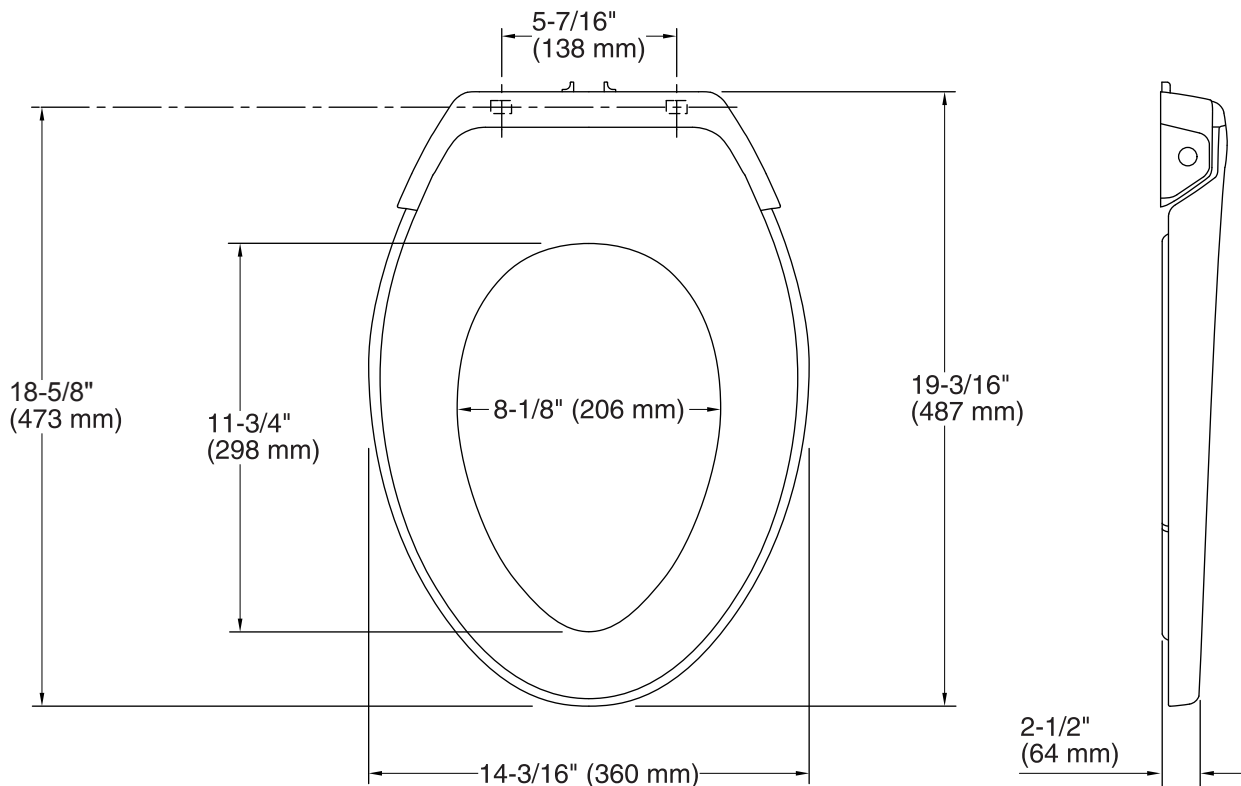
See website for detailed warranty information.

## Available Color/Finishes

*Color tiles intended for reference only.*

Color	Code	Description
-------	------	-------------

- |  |    |         |
|--|----|---------|
|  | 0  | White   |
|  | 96 | Biscuit |



### Technical Information

All product dimensions are nominal.

- Seat shape type: Elongated  
Seat front type: Closed front  
Seat hinge type: Quick-Attach®, Quiet-Close™, Quick-Release™  
Seat-mounting holes: 5-7/16" (137 mm)

### Notes

Install this product according to the installation guide.

Requires two D-cell batteries, not included.