



Spun Glass™

17-1/2" round drop-in vessel bathroom sink, no overflow
K-2276

Features

- Beautifully translucent glass round basin
- No faucet holes; requires wall- or counter-mount faucet

Material

- Glass

Installation

- Above-counter or drop-in

Recommended Products/Accessories

K-7107 Decorative Drain
K-7108 Decorative Drain
K-7129 Drain
K-9033 Bottle trap, 1-1/4" x 1-1/4"
K-23726 Drain treatment



ADA

OBC

Codes/Standards








CSA B45.11/IAPMO Z401
CSA B45.5/IAPMO Z124
ADA
ICC/ANSI A117.1
OBC

KOHLER® One-Year Limited Warranty

See website for detailed warranty information.

Available Colors/Finishes

Color tiles intended for reference only.

Color	Code	Description
	B11	Ice
	TG1	Translucent Dusk
	TG2	Translucent Dew
	TG3	Translucent Doe
	TG6	Translucent Sapphire
	TG7	Translucent Sandalwood
	TG8	Translucent Stone

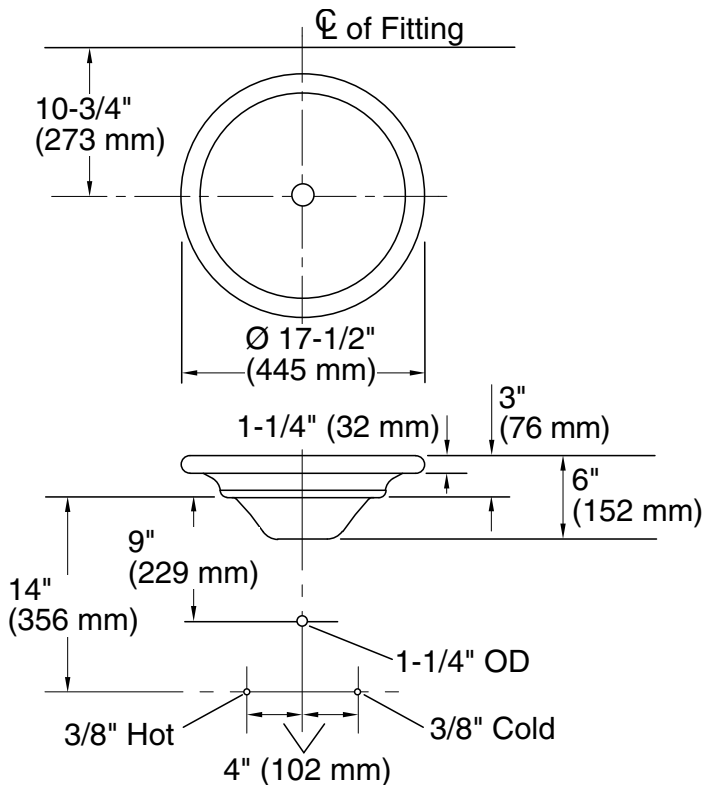
1-800-4KOHLER (1-800-456-4537)

Kohler Co. reserves the right to make revisions without notice to product specifications.

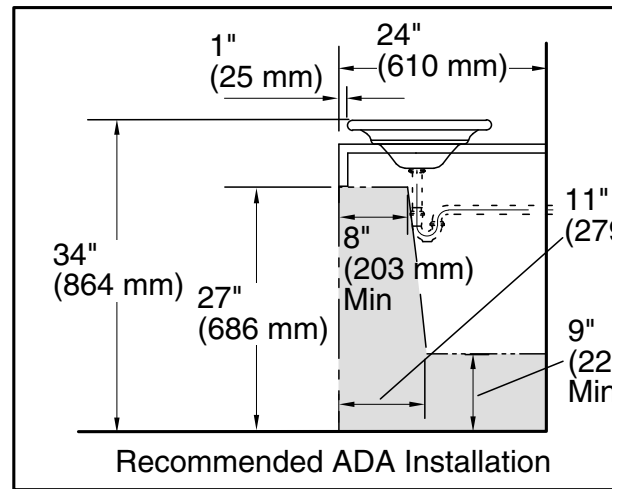
For the most current Specification Sheet, go to www.kohler.com.

5-6-2023 22:03 - US/CA/MX

THE BOLD LOOK
OF **KOHLER**®



Standard Installation



Notes

Install this product according to the installation instructions.

Spout must be 5# (127 mm) long (min) for adequate clearance into lavatory when installed with centerline as shown.

Spout must be tall enough to clear 3# (76 mm) rim height and provide a 1# (25 mm) air gap per ASME A112.1.2.

Diagram is based on the K-9018 P-trap with a 1# (25 mm) tailpiece exposed.

ADA, OBC compliant when installed to the specific requirements of these regulations.

Technical Information

All product dimensions are nominal.

Bowl configuration:	Single
Installation:	Vessel
Bowl area (Only):	Length: $15\text{-}1/4\text{"}$ (388 mm) Width: $15\text{-}1/4\text{"}$ (388 mm) Bowl depth: $5\text{-}1/2\text{"}$ (140 mm) Water depth: $5\text{-}1/2\text{"}$ (140 mm)
With overflow:	No
Template:	115888-7, required, included