

### Features

- Low-profile design with easy-to-clean water-resistant casing
- Large, easy-to-read LCD screen displays time and temperature
- Raised one touch buttons for simple and intuitive system control
- Provides independent control of up to three outlets
- Suitable for multi-outlet shower or bath/shower applications
- Second interface can be added to each system for alternate locations and applications
- Adjustable default and high limit temperature settings
- System warm-up and pause feature
- Duration/countdown timer feature

### Material

- Premium material construction for durability and reliability

### Installation

- Surface-mount



ADA

### Codes/Standards

UL 1951  
CSA C22.2 No. 14  
CSA C22.2 No. 68  
ADA  
ICC/ANSI A117.1


### KOHLER® Electronic Faucets, Valves, and Controls Five-Year Limited Warranty

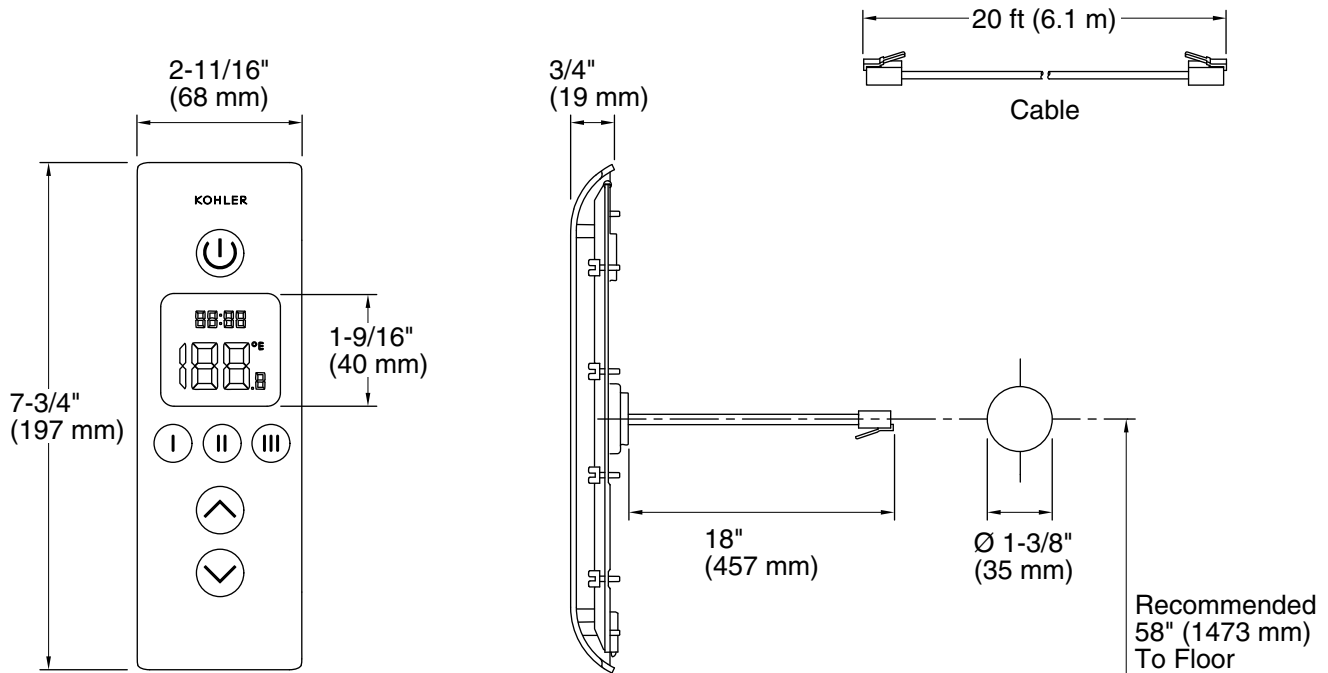
See website for detailed warranty information.

### Available Colors/Finishes

*Color tiles intended for reference only.*

Color	Code	Description
-------	------	-------------

	1CP	Satin Chrome with Polished Chrome
---	-----	-----------------------------------



### Technical Information

All product dimensions are nominal.  
Max. Ambient temp: 125°F (51.7°C)

### Notes

Install this product according to the installation guide.  
ADA compliant when installed to the specific requirements of these regulations.