



Highline® Classic

The Complete Solution® two-piece round-front toilet,
1.28 gpf
K-76407

Features

- Two-piece design
- Round-front bowl offers an ideal solution for smaller bathrooms and powder rooms
- Comfort Height® feature offers chair-height seating that makes sitting down and standing up easier for most adults
- 1.28 gpf (4.8 lpf)
- Left-hand Polished Chrome trip lever
- The Complete Solution toilets provide everything you need, including bowl, tank, seat, wax ring, and hardware
- Combination consists of the K-4436 tank and the K-5393 bowl
- Class Five® canister optimizes the flow out of the tank, harnessing gravity and the natural powerful reducing cascade of water to increase the power and effectiveness of the flush
- Eligible for consumer rebates in some municipalities

Installation

- Supply line sold separately
- Standard 12" (305 mm) rough-in
- Three-bolt quick-connect installation

Recommended Products/Accessories

- K-5589 Purefresh® Deodorizing round-front toilet seat
- K-5420 Low-Profile Bolt Caps
- K-23726 Drain treatment

Included Components

- K-5393 Round-front toilet bowl
- K-4775 Brevia™ Quick-Release™ round-front toilet seat



ADA	CSA B651	OBC
-----	----------	-----

Codes/Standards

ASME A112.19.2/CSA B45.1
DOE - Energy Policy Act 1992
EPA WaterSense®
California Energy Commission (CEC)
ADA
ICC/ANSI A117.1
CSA B651
OBC
IAPMO Certification

KOHLER® Toilets and Seats Limited Warranty

See website for detailed warranty information.

1-800-4KOHLER (1-800-456-4537)

Kohler Co. reserves the right to make revisions without notice to product specifications.

For the most current Specification Sheet, go to www.kohler.com USA or www.kohler.ca Canada

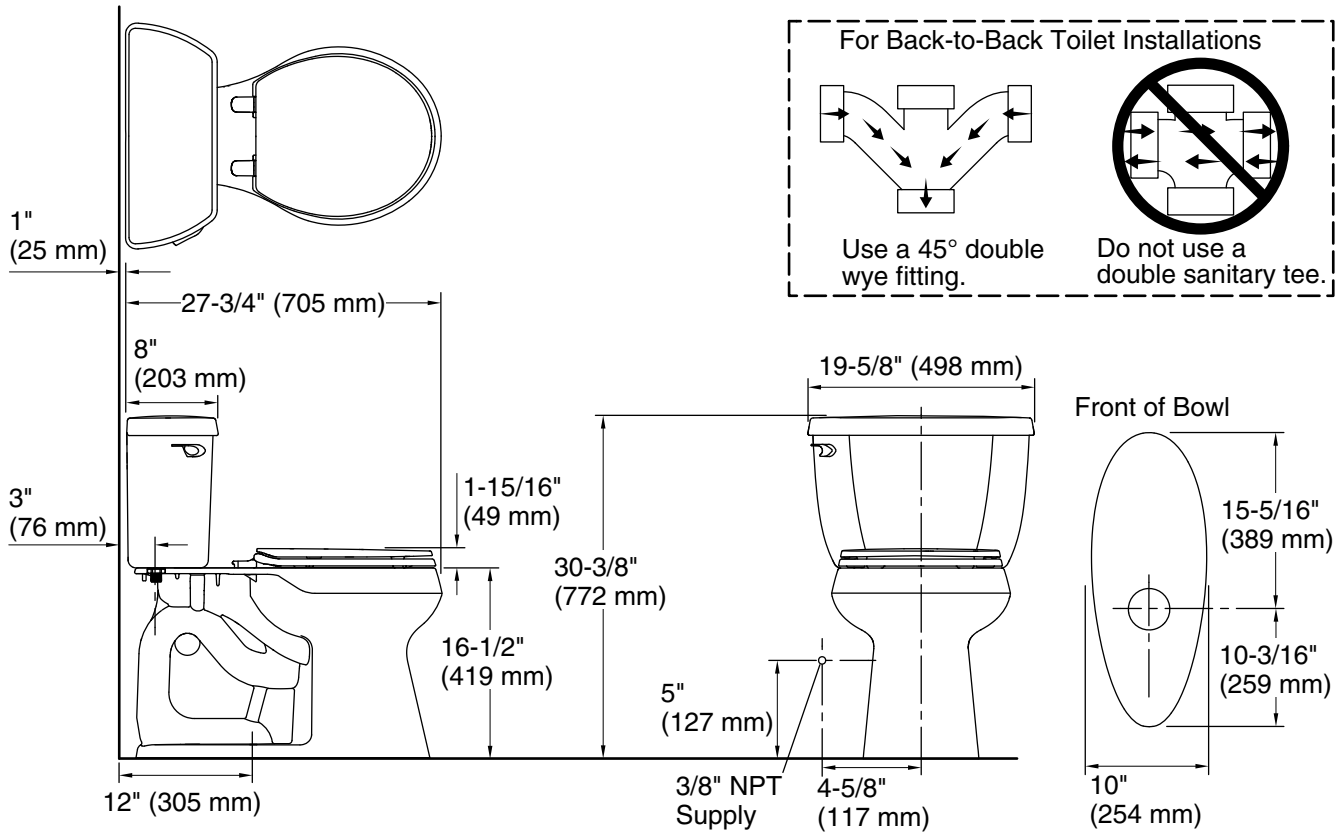
7-11-2024 23:48 - US

THE BOLD LOOK
OF **KOHLER**®



Highline® Classic

The Complete Solution® two-piece round-front toilet,
1.28 gpf
K-76407



Technical Information

All product dimensions are nominal.

Toilet type:	Floor-mount
Waste Outlet:	Floor
Bowl shape:	Round-front
Flush type:	Class Five
Trap passageway:	2-1/8" (54 mm)
Water surface size:	10-1/2" x 8-1/4" (267 mm x 210 mm)
Rim to water surface:	5-3/8" (137 mm)
Rough-in:	12" (305 mm)
Seat-mounting holes:	5-1/2" (140 mm)

Notes

Install this product according to the installation instructions.

For back-to-back toilet installations: Use only a 45° double wye fitting.

ADA, OBC, CSA B651 compliant when installed to the specific requirements of these regulations.

Plumbing codes may require elongated toilets and elongated, open-front seats in public bathrooms.

Accessibility standards may require controls to be located on the open side of the toilet.