

KOHLER® Faucets

Touchless pull-down kitchen faucet w/ soap dispenser
Maxton™
K-R26281-SD

Features

- Response™ technology provides reliable touchless on/off operation through a state-of-the-art sensor that responds in 20 milliseconds
- Powered by six AA batteries. AC power adapter is also available (sold separately)
- Sweep™ spray features specially angled nozzles that form a wide, powerful blade of water to sweep your dishes and sink clean
- MasterClean™ sprayface features an easy-to-clean surface that withstands mineral buildup
- High-arch spout offers vertical clearance for tall cookware and pitchers
- Two-function pull-down sprayhead allows you to switch from aerated stream to Sweep™ spray
- Temperature memory allows faucet to be turned on and off at the temperature set during prior usage
- KOHLER ceramic disc valves exceed industry longevity standards for a lifetime of durable performance
- 1.5 gpm (5.7 lpm) maximum flow rate at 60 psi (4.14 bar)
- Box includes: Assembled faucet, supply lines, escutcheon plate, soap/lotion dispenser
- DockNetik™ secure docking system locks sprayhead into place when not in use

Material

- Premium metal construction for durability and reliability
- Select KOHLER finishes feature ScratchShield™ technology which withstands even the toughest daily use

Installation

- Installs with 1-, 2-, 3-, or 4-hole sinks (escutcheon plate included)
- Flexible supply lines and quick-connect fittings simplify installation
- Longer shank works with countertops up to 2½" inches thick and is easy to install.

Recommended Products/Accessories

K-R78184 AC power adapter for touchless kitchen faucets



ADA

CSA B651

Codes/Standards

ASME A112.18.1/CSA B125.1

NSF/ANSI/CAN 61

NSF/ANSI/CAN 372

All applicable US Federal and State material regulations

DOE - Energy Policy Act 1992

California Energy Commission (CEC)

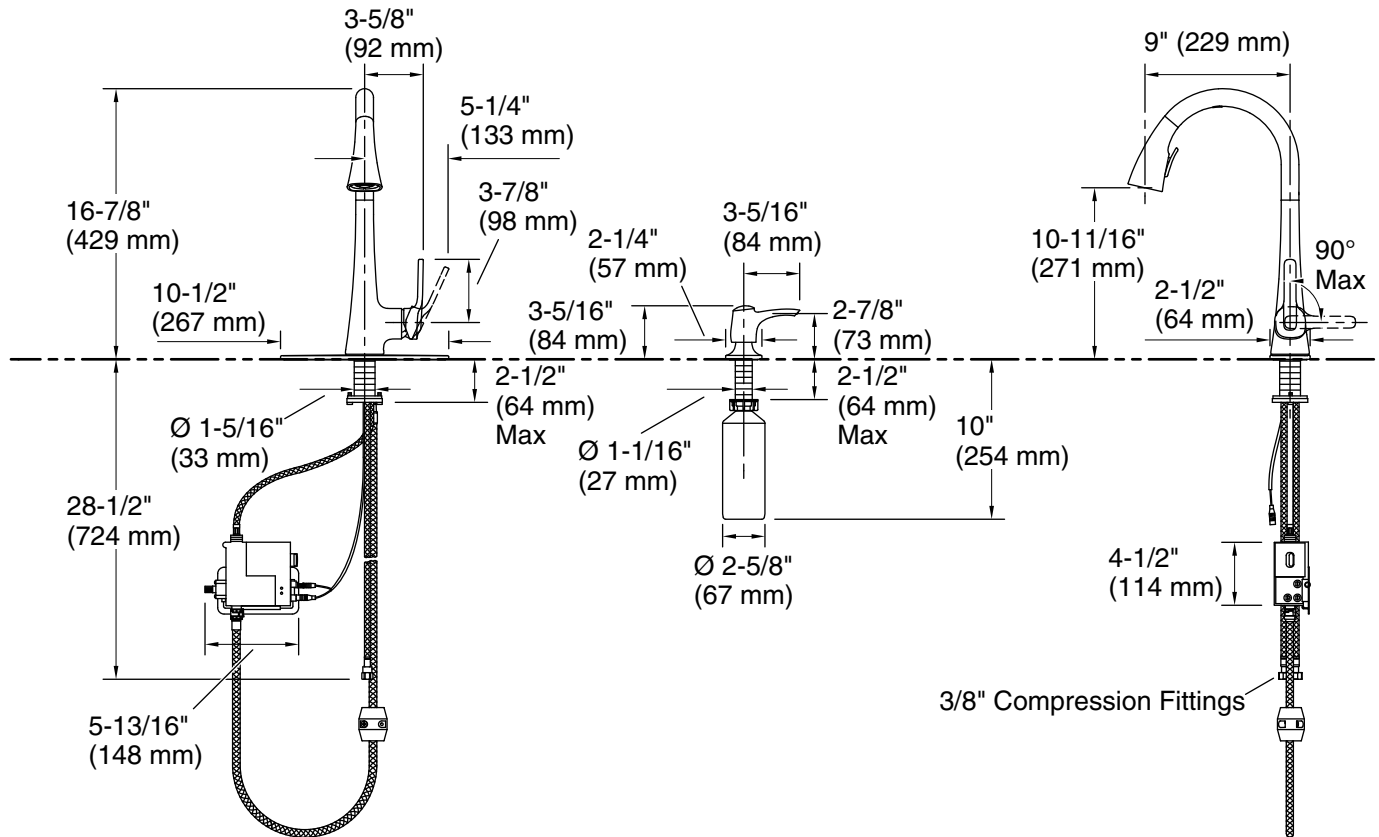
ADA

ICC/ANSI A117.1

CSA B651

KOHLER® Electronic Faucets, Valves, and Controls Five-Year Limited Warranty

See website for detailed warranty information.



Technical Information

All product dimensions are nominal.

Power source: Battery - DC, included

Notes

Install this product according to the installation instructions.

ADA complaint for faucet handles only.

ADA, CSA B651 compliant when installed to the specific requirements of these regulations.