

## Features

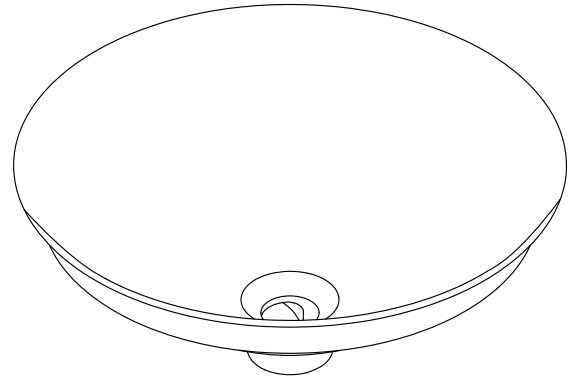
- Premium gold-colored shades and real gold accents in a natural marble pattern on white background
- Round bowl-like basin
- Without overflow

## Material

- Fireclay with Supramic technology

## Installation

- No faucet holes; requires wall-mount or counter-mount faucet (sold separately)
- Semi-recessed vessel



ADA

CSA B651

## Codes/Standards

ASME A112.19.2/CSA B45.1

ADA

ICC/ANSI A117.1

CSA B651

## KOHLER® One-Year Limited Warranty

See website for detailed warranty information.

## Available Colors/Finishes

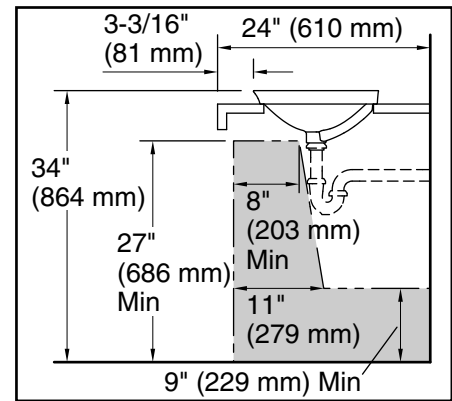
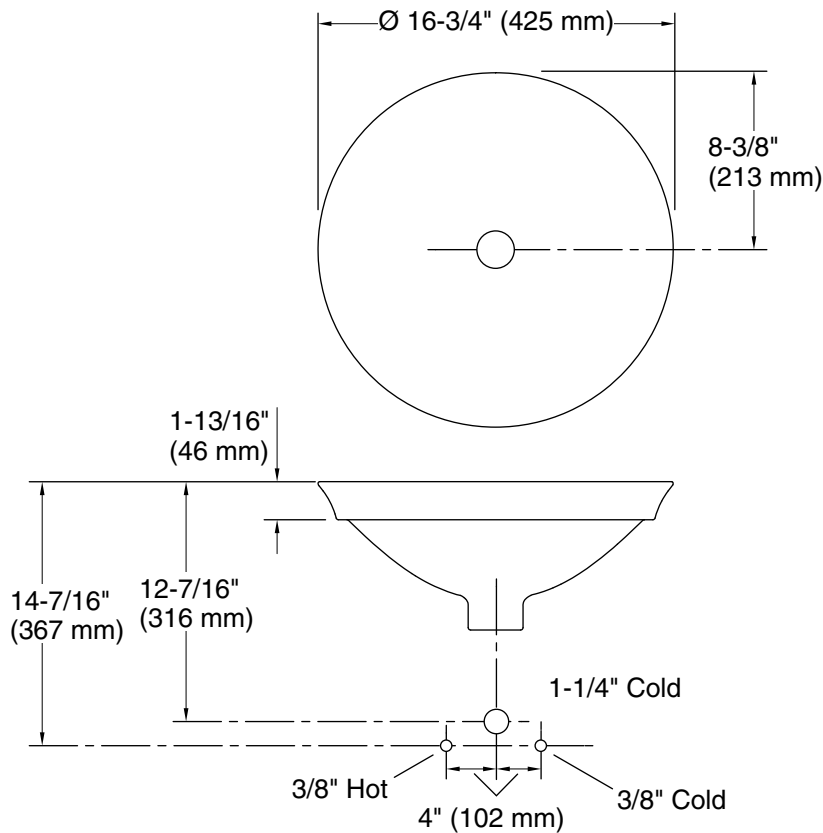
*Color tiles intended for reference only.*

Color	Code	Description
-------	------	-------------

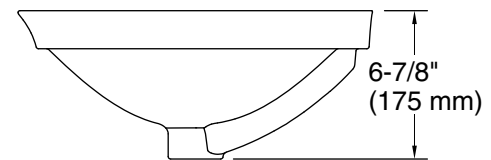


0

White



**Recommended ADA Installation**



### Technical Information

All product dimensions are nominal.

Bowl configuration:	Single
Installation:	Semi-recessed
Min. base cabinet width:	20" (508 mm)
Bowl area (Center):	Length: $16\text{-}7/16"$ (418 mm) Width: $16\text{-}7/16"$ (418 mm) Bowl depth: $5\text{-}3/16"$ (132 mm) Water depth: $5\text{-}3/16"$ (132 mm)
With overflow:	No
Drain hole:	$1\text{-}3/4"$ (45 mm)
Template:	Drop-in, 1527650-7, required, included

### Notes

Install this product according to the installation instructions.

**NOTICE:** Countertop manufacturer or cutter must use the current product template available at [www.kohler.com](http://www.kohler.com) or by calling 1-800-4KOHLER. Kohler Co. is not responsible for cutout errors when the incorrect cut-out template is used.

ADA, CSA B651 compliant when installed to the specific requirements of these regulations.