

Features

- For use with a handshower (sold separately)
- Integrated supply and holder reduces the number of components needed in the shower space, allowing for a clean, contemporary look
- Pivots and rotates to position handshower at desired angle
- Includes check valve for backflow prevention
- 5" (127 mm) x 2-3/16" (56 mm) x 2-3/16" (56 mm)
- Coordinates with Loure and Stance™ faucets and accessories

Material

- Durable metal construction
- KOHLER finishes resist corrosion and tarnishing

Installation

- Wall-mount

Required Products/Accessories

K-21335 Round two-function handshower, 2.5 gpm

or

K-21335-G Round two-function handshower, 1.75 gpm

or

K-21336 Square two-function handshower, 2.5 gpm

or

K-21336-G Square two-function handshower, 1.75 gpm



Codes/Standards


ASME A112.18.1/CSA B125.1

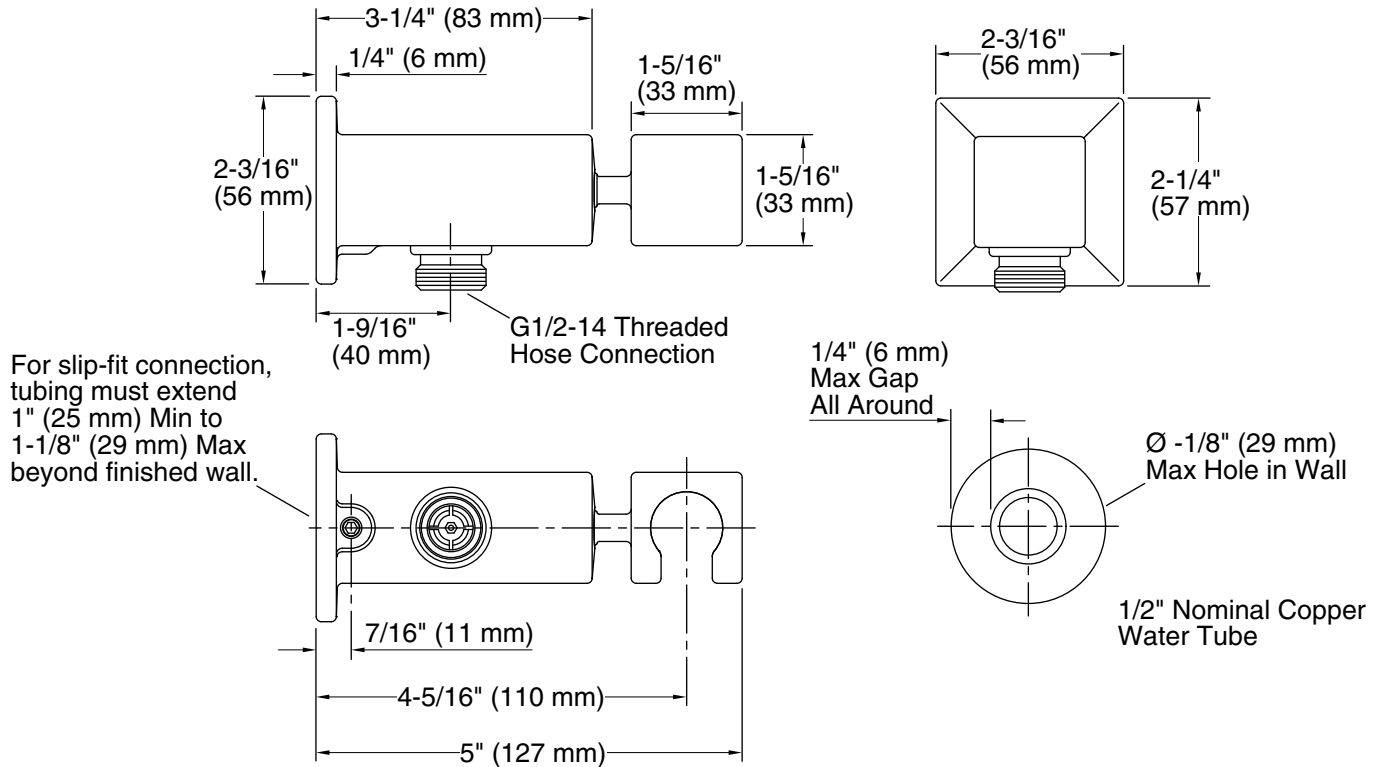
KOHLER® Faucet Lifetime Limited Warranty

See website for detailed warranty information.

Available Colors/Finishes

Color tiles intended for reference only.

Color	Code	Description
	CP	Polished Chrome
	SN	Vibrant™ Polished Nickel
	BN	Vibrant™ Brushed Nickel
	BL	Matte Black



Technical Information

All product dimensions are nominal.

Installation Type: Wall-mount

Material: Metal

Notes

Install this product according to the installation guide.

Product installs using a slip-fit connection to a 1/2" nominal copper tubing.