



Lyric® Workstation

Dual-mount double-equal kitchen sink w/accessories
K-RH23376-4PC

Features

- Accessories stack and slide to enhance food prep and cleanup.
- 36" minimum base cabinet width.
- Double-equal bowls.
- 9" (229 mm) depth provides generous workspace.
- Tightly angled fabricated corners maximize bowl space.
- Sink drain with strainer sold separately.
- Includes two-piece colander set and large acacia wood cutting board.

Material

- Colander set is dishwasher-safe.
- Premium 18-gauge stainless steel.

Installation

- Top-mount or undermount.
- Accessories slide on sink ledges when sink is top-mounted.
- Cutting board slides across countertop when sink is undermounted.

Recommended Products/Accessories

- K-23381 sink rack for K-RH23376-4PC (Qty 2)
- K-8801 Sink drain and strainer with tailpiece (Qty 2)
- K-8799 Sink drain and strainer basket (Qty 2)
- K-23726 Drain treatment
- K-23729 Stainless steel cleaner

Optional Products/Accessories

- K-9000 P-Trap

Included Components

Additional Components:

- K-21614 colander set for kitchen sink
- K-23379 cutting board

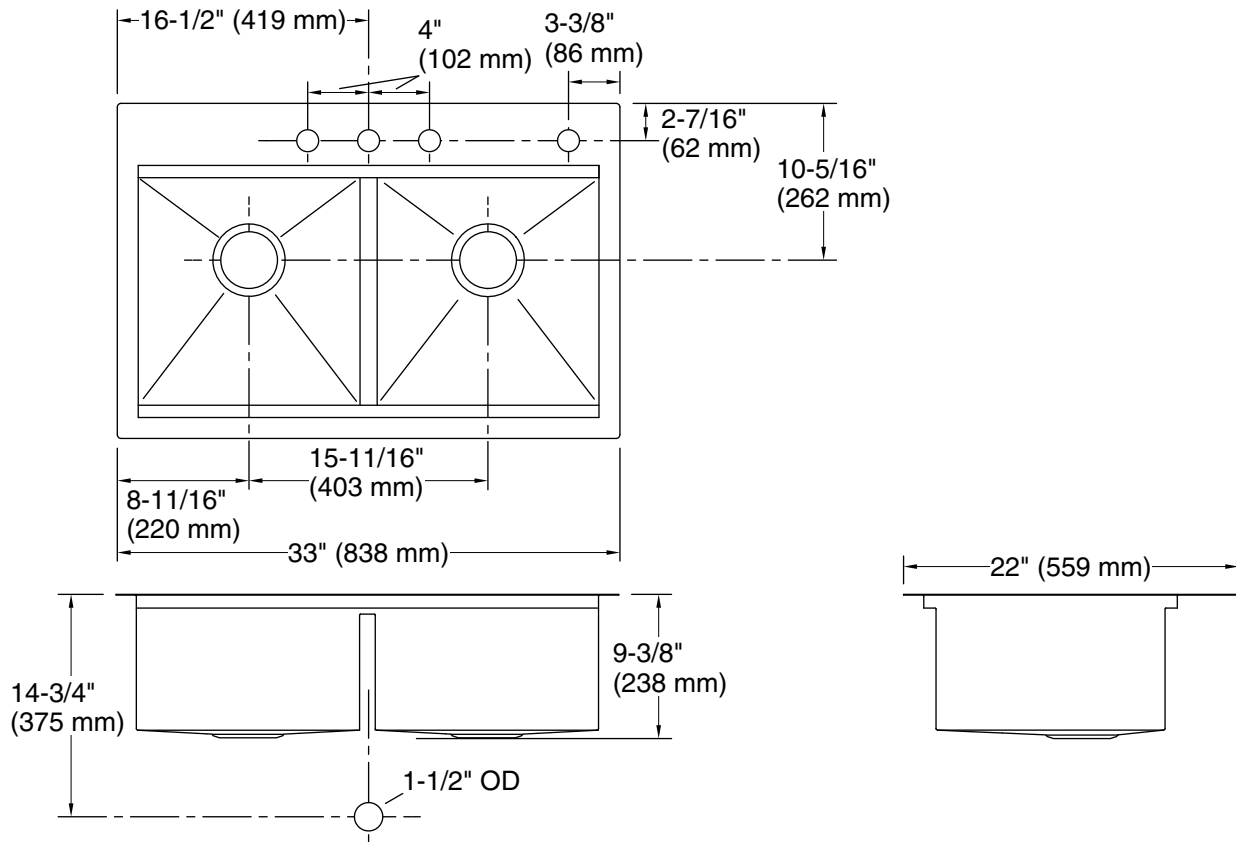


Codes/Standards

ASME A112.19.3/CSA B45.4

Lifetime Limited Warranty for KOHLER® Stainless Steel Sinks

See website for detailed warranty information.



Technical Information

All product dimensions are nominal.

Bowl configuration:	Double equal
Installation:	Top-mount, Undermount
Min. base cabinet width:	36" (914 mm)
Bowl area (Left):	Length: 14-9/16" (370 mm) Width: 14-15/16" (379 mm) Bowl depth: 9-3/16" (233 mm) Water depth: 9-3/16" (233 mm)
Bowl area (Right):	Length: 14-9/16" (370 mm) Width: 14-15/16" (379 mm) Bowl depth: 9-3/16" (233 mm) Water depth: 9-3/16" (233 mm)
With overflow:	No
Number of deck holes:	4
Faucet hole spacing:	8" (203 mm)
Faucet hole(s):	1-7/16" (37 mm)
Soap/Lotion hole:	1-7/16" (37 mm)
Drain hole:	3-3/4" (94 mm)
Template:	1130821-7, required, included

Notes

Install this product according to the installation instructions.

NOTICE: Countertop manufacturer or cutter must use the cut-out template provided with the product, or a current one provided by Kohler Co. (call 1-800-4-KOHLER). Kohler Co. is not responsible for cutout errors when the incorrect cut-out template is used.