

180 x 90 x 40 cm*

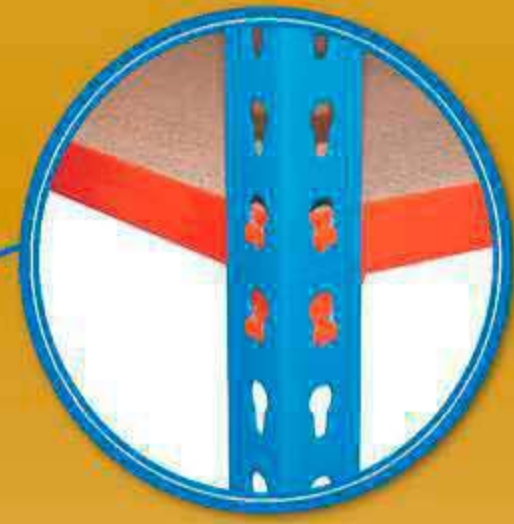
70.9" x 35.4" x 15.8"

MADERCLICK 5/400

5 Años Garantía
Years Guarantee
Jahre Garantie
Ans Garantie
Anos de Garantia
SIMONRACK



750 kg
(1654 lb)
Total



**Simon
Rack**
SINCE 1964 - MANUFACTURER

*MEDIDAS EN USO USED MEASUREMENTS
MASSNAHMEN IM EINSATZ MESURES EN EMPLOI MEDIDAS EM USO:
1749 x 910 x 410 mm (68.8" x 35.8" x 16.1")



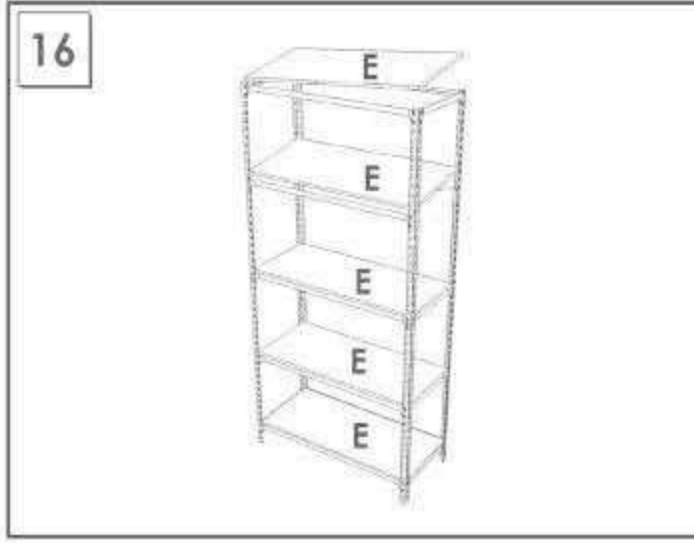
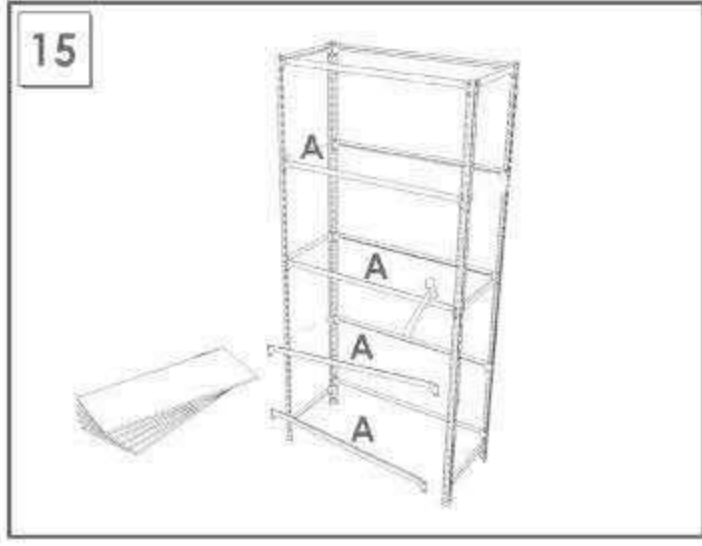
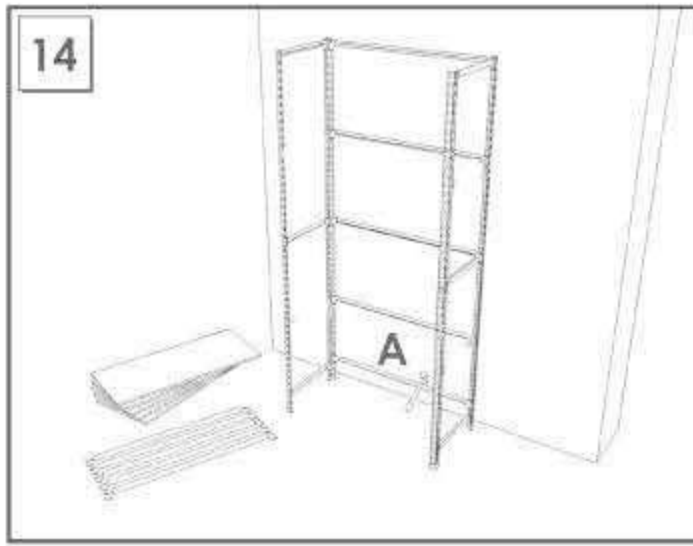
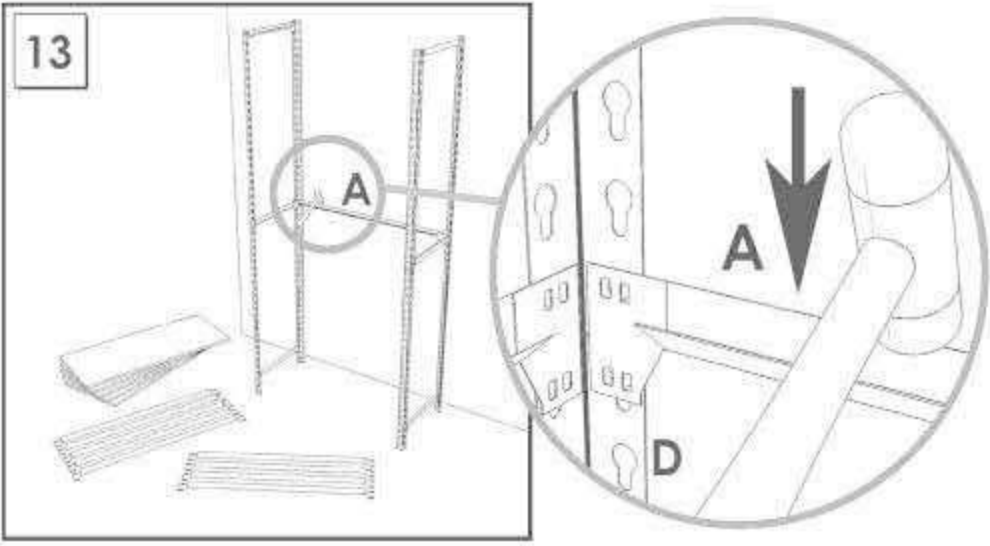
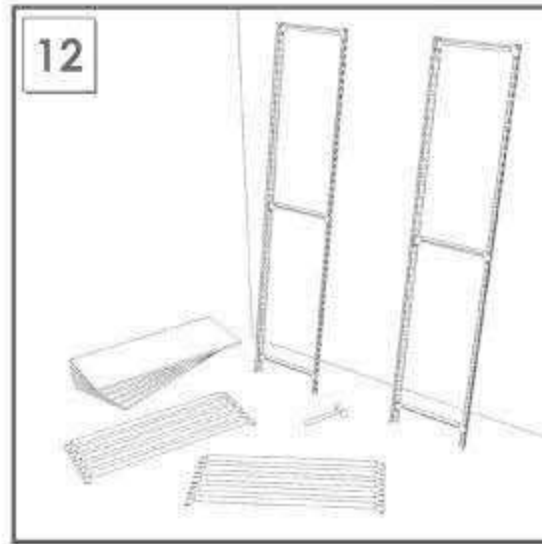
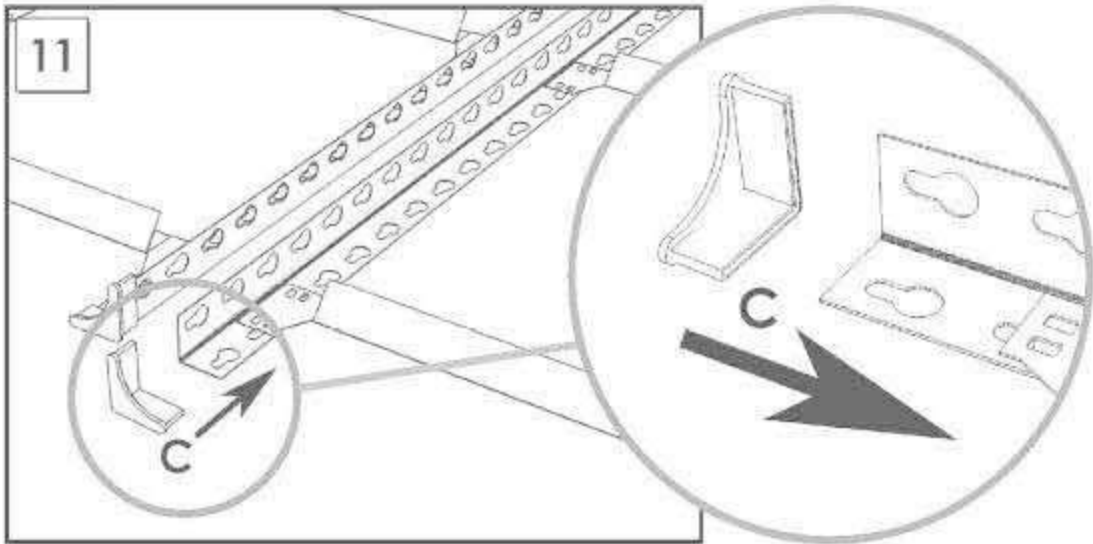
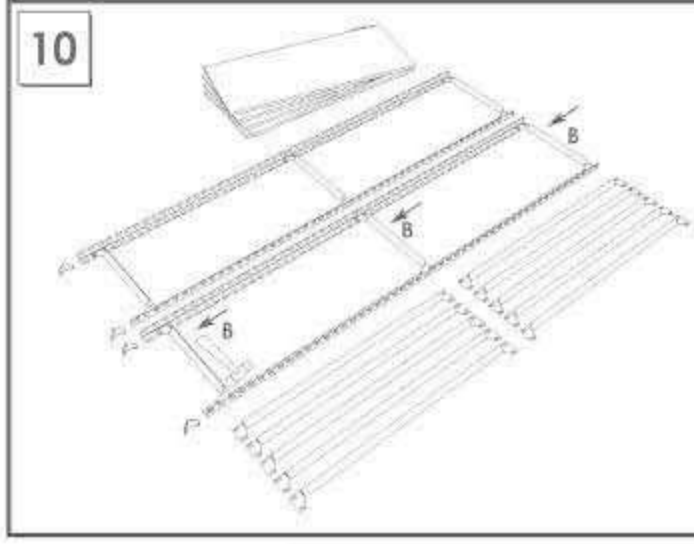
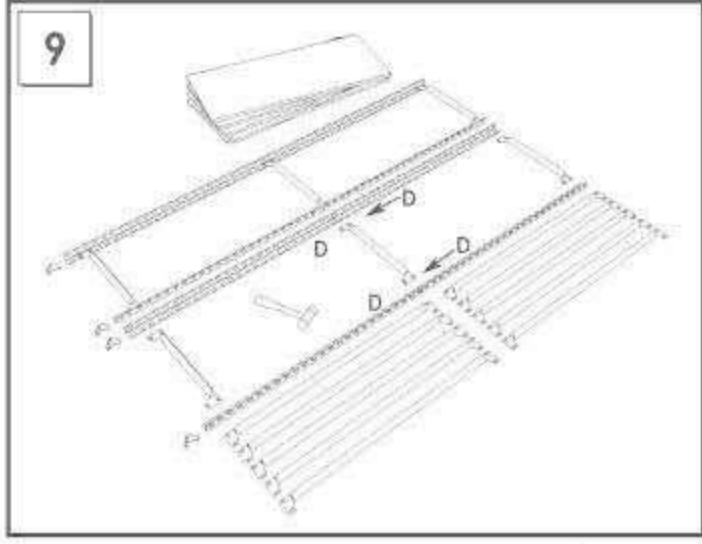
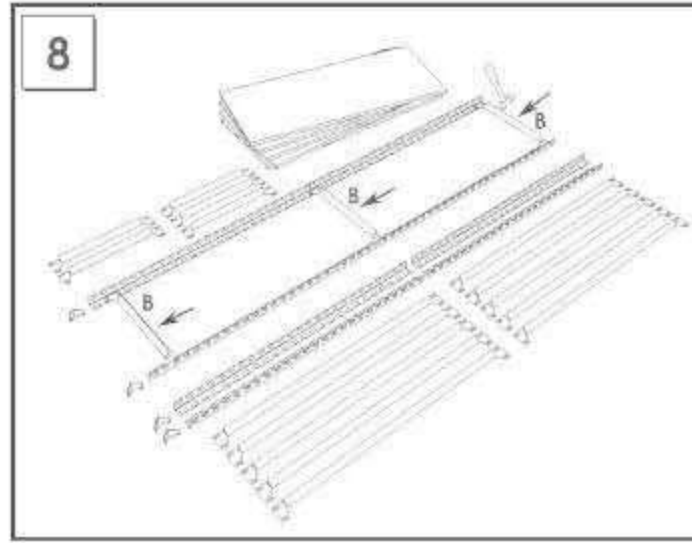
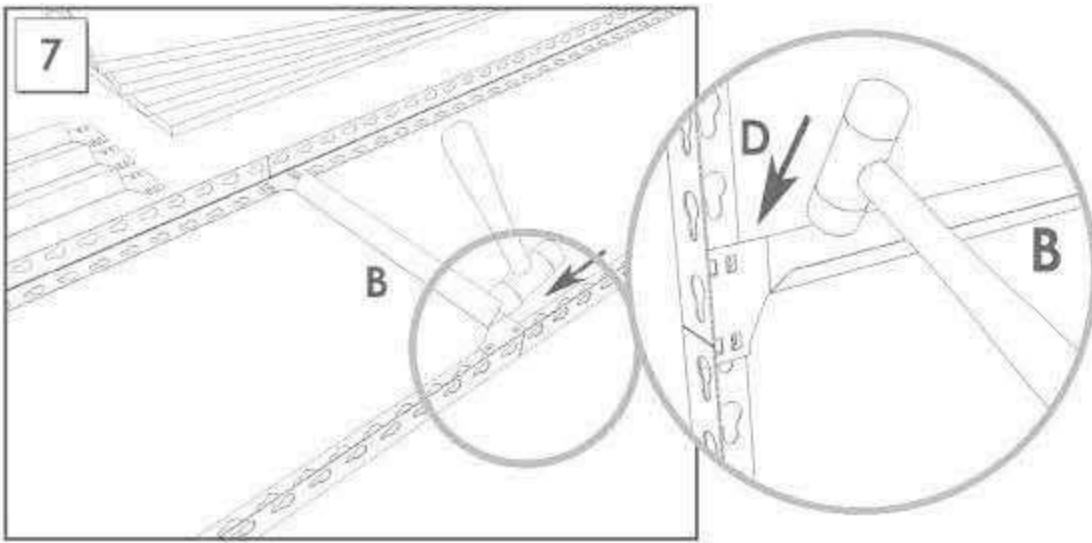
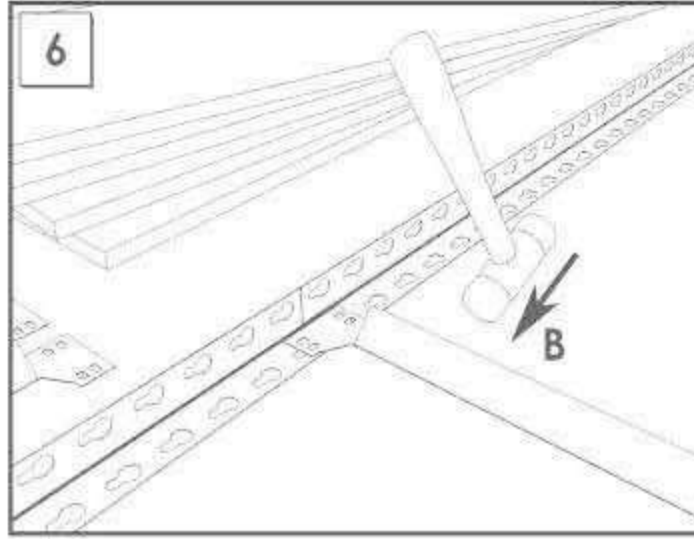
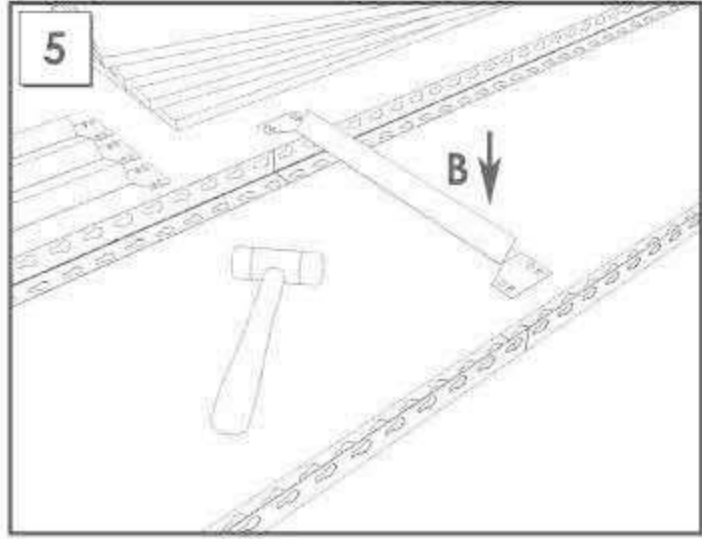
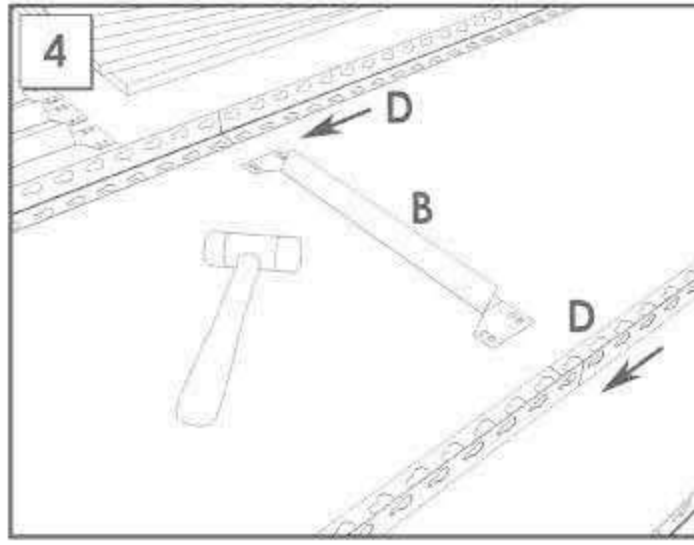
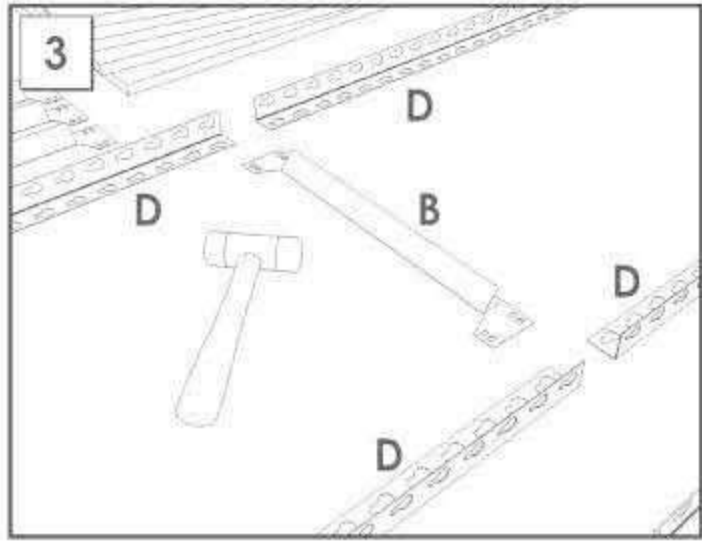
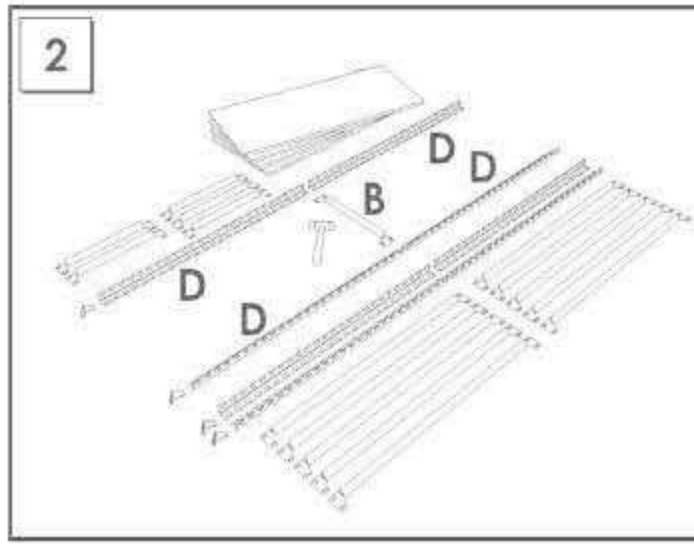
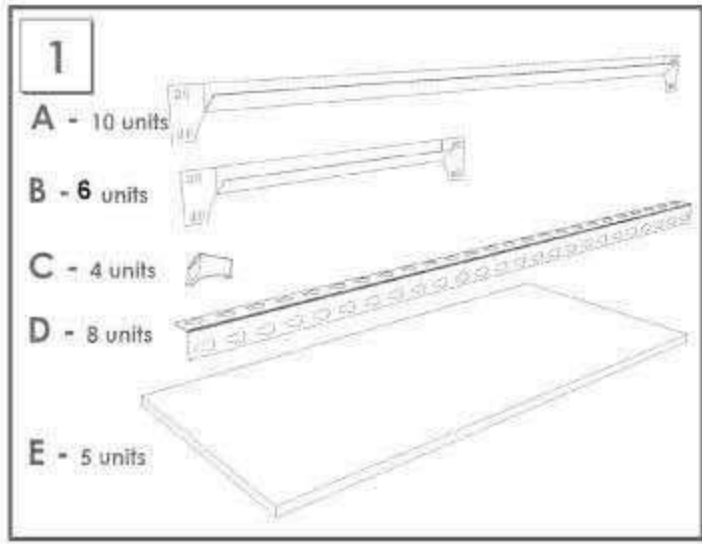
ESTANTERIAS SIMON S.L. B.50.556.463
PG. ALFAMEN C/ POLIGONO C, N°3
ALFAMEN (ZARAGOZA)



www.simonrack.com



INSTRUCTIONS



On-line instructions: www.instructionsrack.com/maderclick

SIMONCLASSIC



SIMONCLICK



SIMONOFFICE



SIMONTALLER



BANCOS DE TRABAJO
WORK BENCHES



SIMONHOME



TAQUILLAS
LOCKER



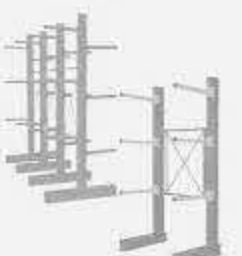
SIMONTITÁN

SIMONINOX



SIMONPALET

SIMONLEVER



ALTILLOS Y PASILLOS ELEVADOS
PLATFORMS AND MEZZANINES

