

## Features

- Single joystick lever handle is simple to use and makes adjusting water temperature easy.
- High-arch swivel spout and 360-degree spout rotation offer superior clearance for filling pots and cleaning.
- Two-function pull-down sprayhead with touch-control allows you to switch from stream to Sweep® spray.
- Sweep® spray features specially angled nozzles that form a wide, powerful blade of water to sweep your dishes and sink clean.
- DockNetik® magnetic docking system securely locks the sprayhead into place when not in use.
- MasterClean™ sprayface features an easy-to-clean surface that withstands mineral buildup.
- Includes soap/lotion dispenser.
- KOHLER ceramic disc valves exceed industry longevity standards for a lifetime of durable performance.
- Installs with 1-, 2-, 3-, or 4-hole sink (escutcheon plate included).
- Flexible supply lines and installation ring simplify installation.
- 1.5 gpm (5.7 lpm) maximum flow rate at 60 psi (4.14 bar).

## Material

- KOHLER finishes resist corrosion and tarnishing.
- Premium metal construction for durability and reliability.

## Recommended Products/Accessories

K-23723 Faucet cleaner



## Codes/Standards



ASME A112.18.1/CSA B125.1  
NSF/ANSI 61  
NSF/ANSI 372  
All applicable US Federal and State material regulations  
DOE - Energy Policy Act 1992  
California Energy Commission (CEC)

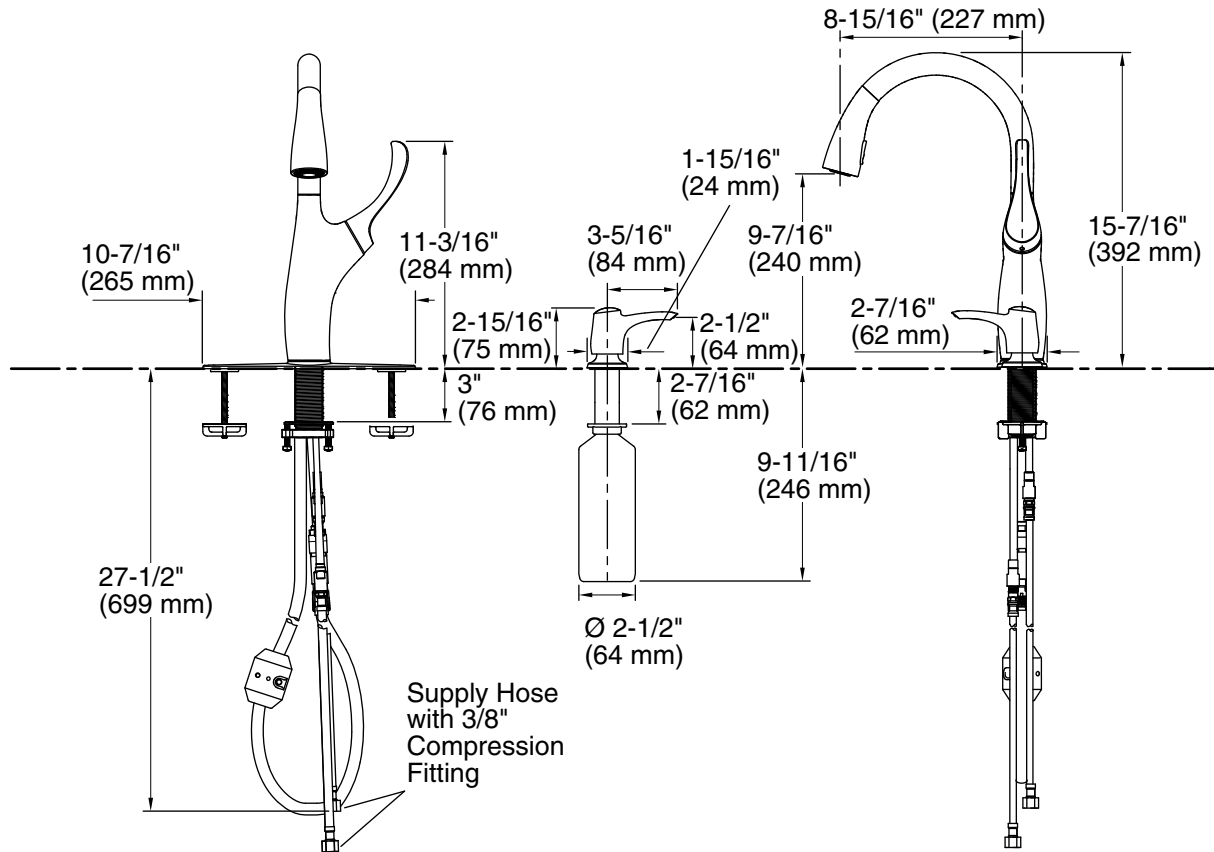
## KOHLER® Faucet Lifetime Limited Warranty

See website for detailed warranty information.

## Available Colors/Finishes

*Color tiles intended for reference only.*

Color	Code	Description
	CP	Polished Chrome
	VS	Vibrant® Stainless



### Technical Information

All product dimensions are nominal.

#### Faucet:

Flow rate: 1.5 gal/min (5.7 l/min)

Pressure: 60 psi (4.1 bar)

### Notes

Install this product according to the installation guide.

Faucet contains all necessary parts for 1-, 2-, 3-, or 4-hole installations.