

Features

- Single lever handle is simple to use and makes adjusting water temperature easy.
- High-arch swivel spout and 360-degree spout rotation offer superior clearance for filling pots and cleaning.
- Two-function pull-down sprayhead with touch-control allows you to switch from stream to Sweep® spray.
- DockNetik® magnetic docking system securely locks the sprayhead into place when not in use.
- MasterClean™ sprayface features an easy-to-clean surface that withstands mineral buildup.
- Includes soap/lotion dispenser.
- KOHLER ceramic disc valves exceed industry longevity standards for a lifetime of durable performance.
- Installs with 1-, 2-, 3-, or 4-hole sink (adapter plate included).
- 1.5 gpm (5.7 lpm) maximum flow rate at 60 psi (4.14 bar).

Material

- KOHLER finishes resist corrosion and tarnishing.
- Premium material construction for durability and reliability.

Installation

- Flexible supply lines and quick-connect fittings simplify installation.
- Longer shank works with countertops between 1/2" to 2-1/2" inches thick. Simply hand-tighten and secure with a screwdriver. For thinner countertops additional material may be required.

Recommended Products/Accessories

K-23723 Faucet cleaner



ADA CSA B651

Codes/Standards


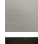

ASME A112.18.1/CSA B125.1
NSF/ANSI 61
NSF/ANSI 372
All applicable US Federal and State material regulations
DOE - Energy Policy Act 1992
California Energy Commission (CEC)
ADA
ICC/ANSI A117.1
CSA B651

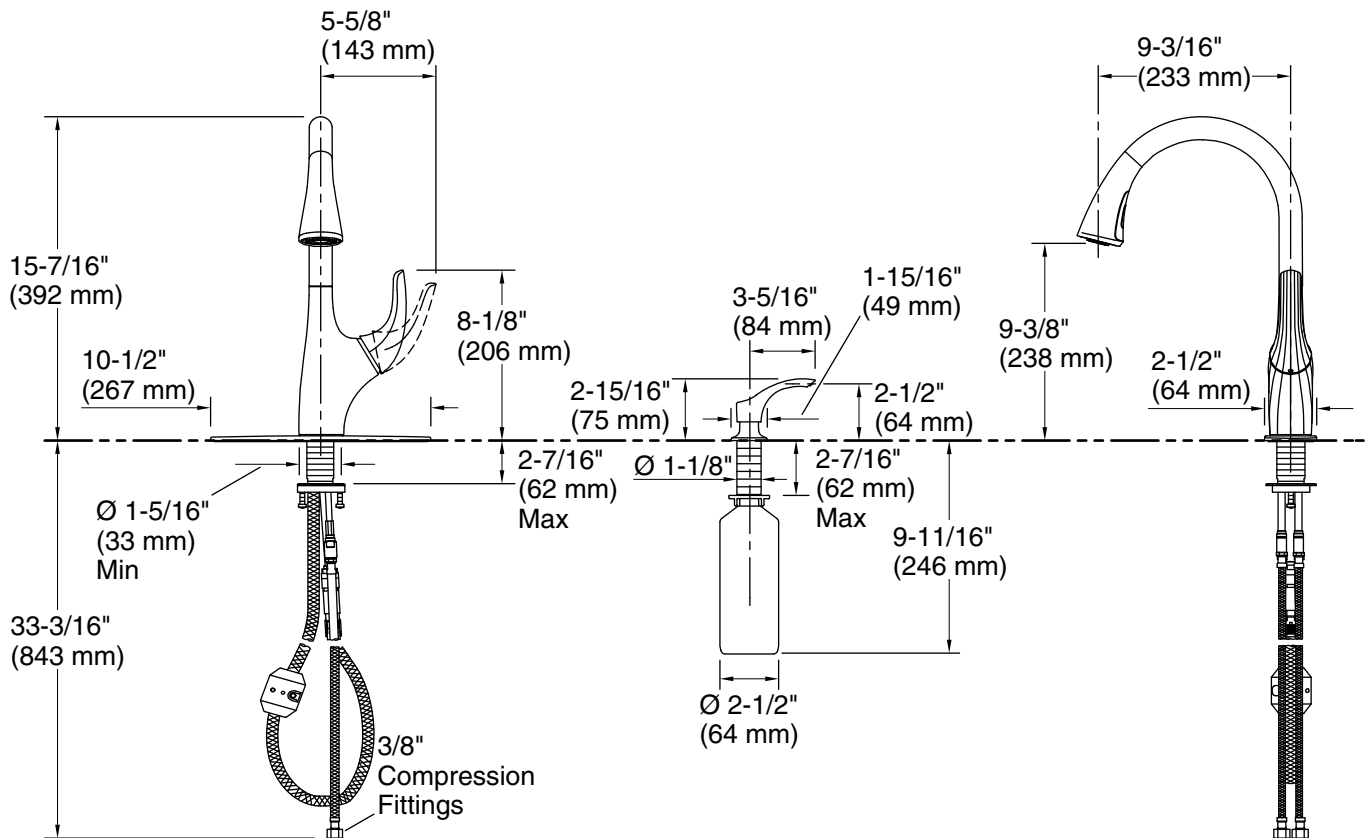
KOHLER® Faucet Lifetime Limited Warranty

See website for detailed warranty information.

Available Colors/Finishes

Color tiles intended for reference only.

Color	Code	Description
	CP	Polished Chrome
	VS	Vibrant® Stainless
	2BZ	Oil-Rubbed Bronze



Technical Information

All product dimensions are nominal.

Faucet:

Flow rate: 1.5 gal/min (5.7 l/min)

Pressure: 60 psi (4.1 bar)

Spout:

Spout reach: 9-3/16" (234 mm)

Notes

Install this product according to the installation guide.

ADA, CSA B651 compliant when installed to the specific requirements of these regulations.