

### Features

- Allows handshower to be raised or lowered to desired height for a customized showering experience.
- For use with a handshower (sold separately).
- 2-11/16" (68 mm) x 2-1/2" (64 mm) x 24-3/4" (629 mm)

### Material

- Durable metal construction.
- KOHLER finishes resist corrosion and tarnishing.

### Installation

- Wall-mount.

### Required Products/Accessories

- K-21335 Round two-function handshower, 2.5 gpm
- or K-21335-G 1.75 gpm multifunction handshower
- or K-21336 2.5 gpm multifunction handshower with Katalyst®
- or K-21336-G 1.75 gpm multifunction handshower

### Recommended Products/Accessories

- K-23723 Faucet cleaner



ADA

### Codes/Standards



ASME A112.18.1/CSA B125.1  
ADA  
ICC/ANSI A117.1

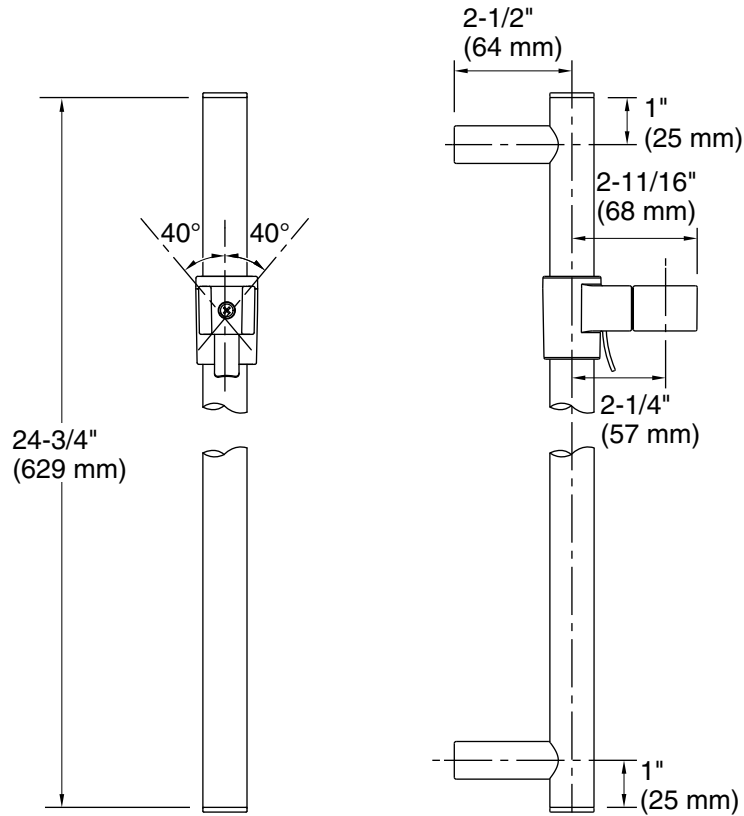
### KOHLER® Faucet Lifetime Limited Warranty

See website for detailed warranty information.

### Available Colors/Finishes

*Color tiles intended for reference only.*

Color	Code	Description
	CP	Polished Chrome
	BN	Vibrant® Brushed Nickel



### Technical Information

All product dimensions are nominal.

### Notes

Install this product according to the installation guide.

ADA compliant when installed to the specific requirements of these regulations.