

### Features

- Top-mounted joystick handle allows for both on/off actuation and temperature setting.
- Push joystick back to turn on; rock side to side for hot/cold.
- KOHLER ceramic disc valves exceed industry longevity standards for a lifetime of durable performance.
- Aerator ensures a splash-free water flow.
- Includes plastic clicker drain with 1-1/4" metal tailpiece.
- 1.2 gpm (4.5 lpm) maximum flow rate at 60 psi (4.14 bar).
- Box includes: Assembled faucet, supply lines, escutcheon plate, drain.

### Material

- Premium material construction for durability and reliability.
- Select KOHLER finishes feature ScratchShield® technology which withstands even the toughest daily use.
- Spot Repel™ finish resists fingerprints, smudges and water spots (Matte Black finish only).

### Installation

- Single-hole or three-hole installation (escutcheon plate included).
- Simplified faucet assembly; mounting hardware requires no special tools.

### Recommended Products/Accessories

- K-23726 Drain treatment
- K-23723 Faucet cleaner



**ADA** **CSA B651** **OBC**

### Codes/Standards




ASME A112.18.1/CSA B125.1  
 NSF/ANSI 61  
 NSF/ANSI 372  
 All applicable US Federal and State material regulations  
 DOE - Energy Policy Act 1992  
 EPA WaterSense®  
 California Energy Commission (CEC)  
 ADA  
 ICC/ANSI A117.1  
 CSA B651  
 OBC

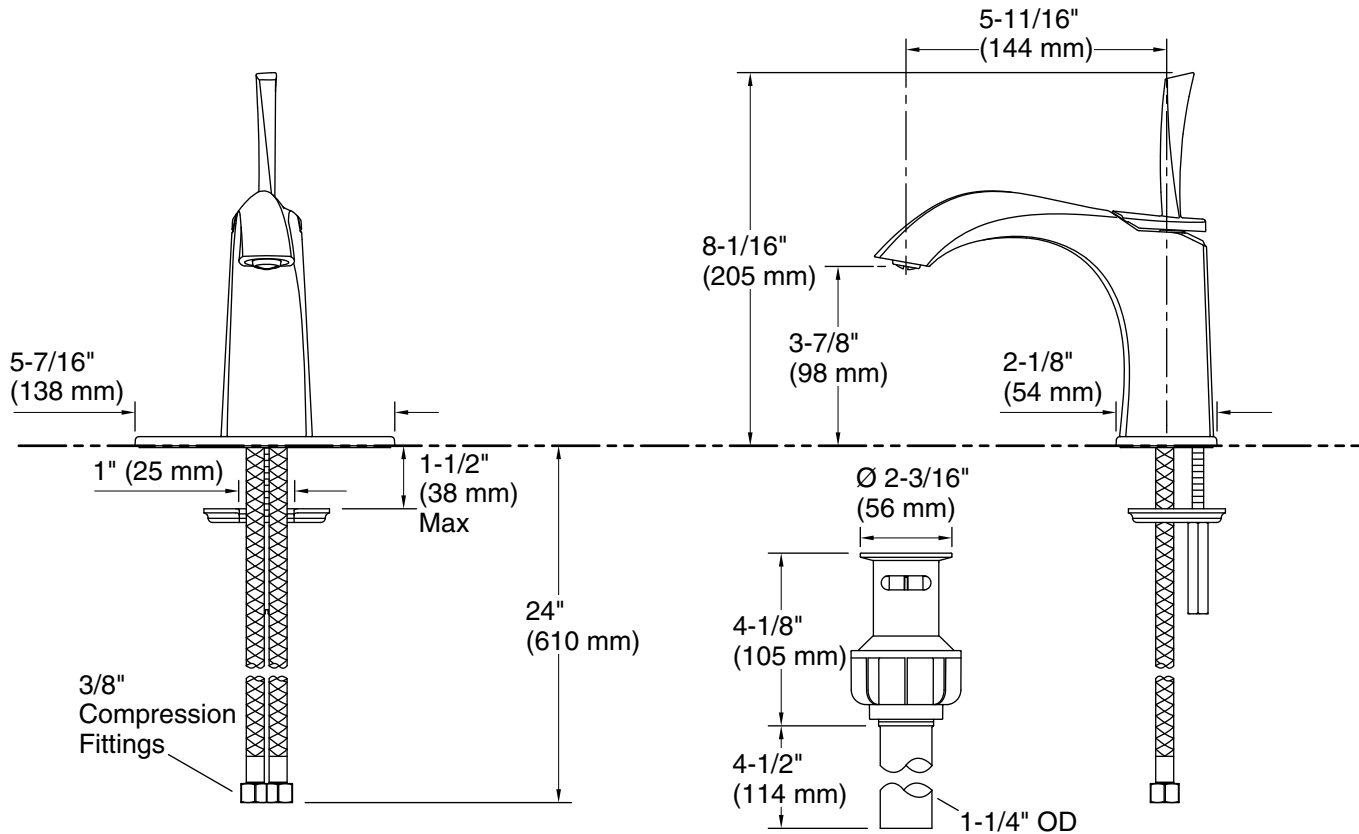
### KOHLER® Faucet Lifetime Limited Warranty

See website for detailed warranty information.

### Available Colors/Finishes

*Color tiles intended for reference only.*

Color	Code	Description
	CP	Polished Chrome
	BN	Vibrant® Brushed Nickel
	BL	Matte Black



### Technical Information

All product dimensions are nominal.

#### Faucet:

Flow rate: 1.2 gal/min (4.5 l/min)  
 Pressure: 45 psi (3.1 bar)  
 Valve body: Plastic  
 Drain included: Yes  
 Drain with overflow: Yes

#### Spout:

Spout reach: 5-11/16" (144 mm)  
 Handle clearance: 2" (51 mm)

### Pressure/fixture Supply Requirements

Fixture pressure max (static): 125 psi (861.8 kPa)  
 Fixture pressure min (static): 20 psi (137.9 kPa)

### Notes

Install this product according to the installation instructions.

ADA compliant for handles only.

ADA, OBC, CSA B651 compliant when installed to the specific requirements of these regulations.