

Features

- One-piece wall-hung toilet with integrated cleansing functionality
- Elongated bowl offers added room and comfort
- Mounting hardware is completely concealed for sleek looks and easy cleaning
- Dual flush offers a choice of 0.8 or 1.6 gpf (3.0 or 6.0 lpf)
- Stainless steel wand offers adjustable spray shape, position, water pressure, temperature, pulsate, and oscillate functions
- Front and rear wash modes provide warm water for cleansing
- Self-cleaning function uses UV light and electrolyzed water systems to automatically clean the wand surfaces
- Warm-air drying system with adjustable temperature settings
- Automatic deodorization system
- Heated seat with adjustable temperature settings
- Motion-activated, hands-free opening/closing of cover
- Automatically flushes toilet after use
- LED lighting illuminates the bowl to serve as a nightlight
- English-language touch-screen LCD remote control
- Touchless actuator plate in Honed White

Technology

- Dual-flush technology allows you to choose between a full or partial flush

Installation

- See installation guide and installation video for more detailed information

Required Products/Accessories

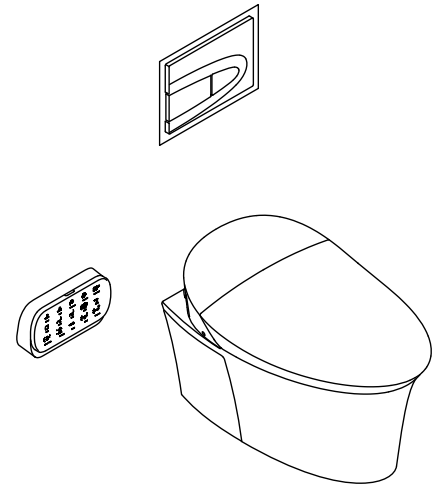
K-18647 In-wall tank and carrier for K-76395 Veil® wall-hung smart toilet

Recommended Products/Accessories

K-23726 Drain treatment

Included Components

Additional Components:
 Actuator plate
 LCD remote control



ADA **CSA B651** **OBC**

Codes/Standards

ASME A112.19.2/CSA B45.1
 ASME A112.19.14
 ADA
 ICC/ANSI A117.1
 CSA B651
 OBC

KOHLER® Intelligent Toilet and C3® Cleansing Seat Three-Year Limited Warranty

See website for detailed warranty information.

Available Colors/Finishes

Color tiles intended for reference only.

Color Code Description

	0	White
--	---	-------

No image available.

This product is a component and not intended to be a standalone installation.

Technical Information

All product dimensions are nominal.

Toilet type:	Wall-mount
Waste Outlet:	Wall
Bowl shape:	Elongated
Trap passageway:	2-9/16" (65 mm)
Water Consumption	
Full:	1.6 gpf (6 lpf)
Rim to water	5" (127 mm)
surface:	
Rough-in:	12" (305 mm)

Notes

Install this product according to the installation instructions.

ADA, OBC, CSA B651 compliant when installed to the specific requirements of these regulations.

Plumbing codes may require elongated toilets and elongated, open-front seats in public bathrooms.

Accessibility standards may require controls to be located on the open side of the toilet.