

Features

- Robust steel frame
- Insulated tank to prevent sweating
- Large flush actuator plate opening can be removed for easy access to inner tank
- Adjustable height allows bowl to be set anywhere between 15-3/8" - 28-1/2" (391 - 724 mm) from floor
- Dual-flush actuator offers a choice of 0.8 or 1.6 gpf (3.0 or 6.0 lpf)
- Works with K-6299 or K-6918 bowls and K-4177, K-5413, K-8857, K-23251-F, K-23252-F, K-75890, K-75891, K-77271, or K-78066-F flush actuator plates to create a complete solution

Technology

- Dual-flush technology allows you to choose between a full or partial flush

Installation

- Durable steel frame carrier is installed on either 2" x 4" or 2" x 6" studs behind the wall. See installation guide and installation video for more detailed information
- Supply line sold separately
- Requires 1201721 electrical box kit when pairing bidet seat with bowl
- When installed per KOHLER installation instructions, the KOHLER in-wall tank and carrier system can support up to 880 lbs. without damage

Water Conservation & Rebates

- Eligible for consumer rebates in some municipalities

Recommended Products/Accessories

K-6299 Wall-hung compact elongated toilet, dual-flush
K-6918 Wall-hung compact elongated toilet, dual-flush
K-4177 Flush Actuator Plate
K-5413 Flush Actuator Plate
K-8857 Flush Actuator Plate
K-23251-F Flush actuator plate
K-23252-F Dual-flush actuator plate
K-75890 Flush Actuator Plate
K-77271 Flush actuator plate
K-78066-F Dual-flush touchless actuator plate

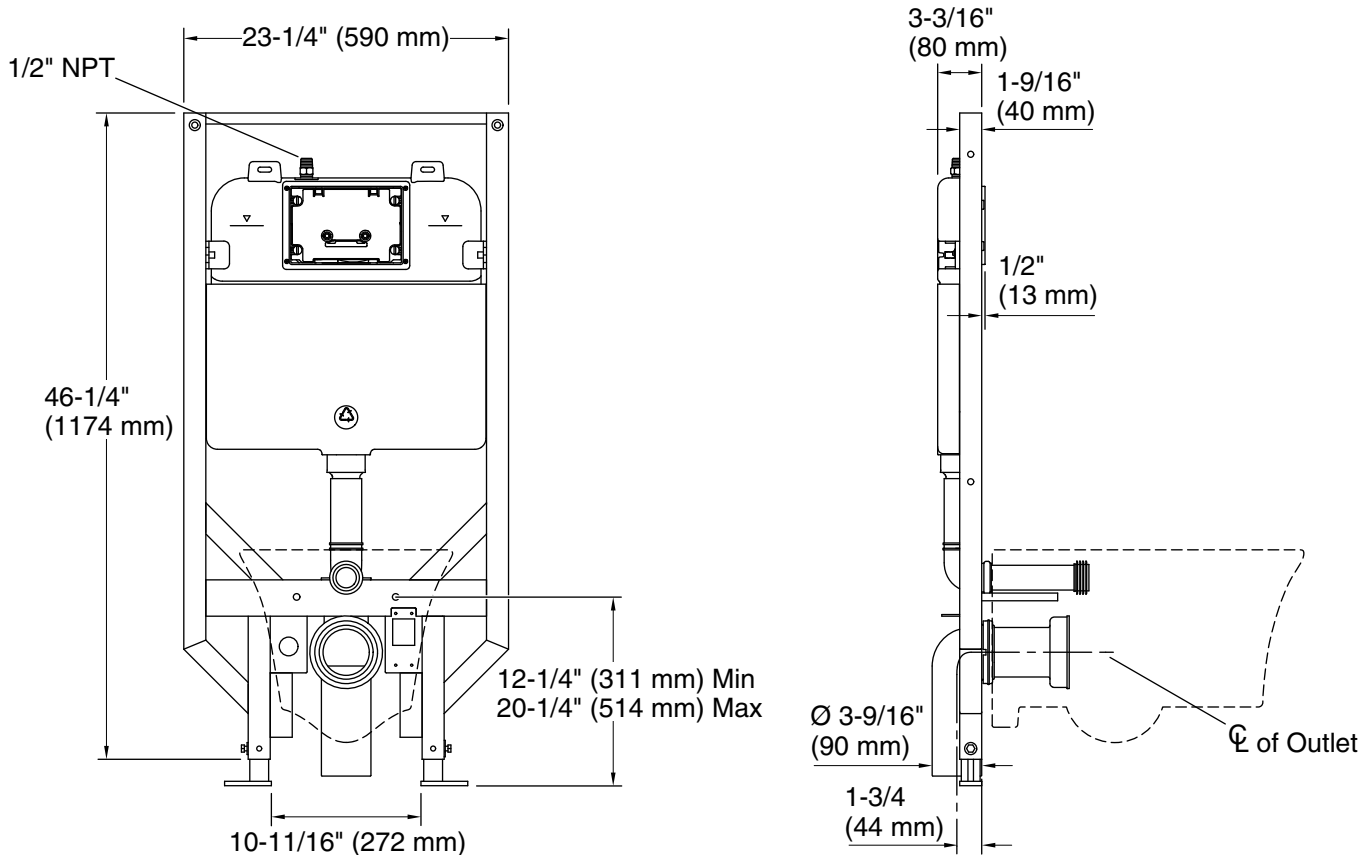


Codes/Standards

ASME A112.6.2
ASME A112.19.14

KOHLER® Toilets and Seats Limited Warranty

See website for detailed warranty information.



Technical Information

All product dimensions are nominal.

Toilet type: In-wall mount

Waste Outlet: Wall

Flush type: Dual-Flush Technology

Fixture Supply Requirements

Max static pressure: 80 psi (551.6 kPa)

Notes

Install this product according to the installation instructions.

Requires 2x4 or 2x6 stud construction.

Refer to manufacturer and local codes for flush valve requirements.

In-wall tank and carrier system install in wall opening 3-3/16" (80 mm) x 23-1/4" (519 mm) x 50" (1270 mm) minimum.

Maximum inlet water temperature shall not exceed 80°F (26.7°C).