



McAllister®
29-1/2" undermount single-bowl kitchen sink, 40 pack
F11600

Features

- No faucet holes; requires wall- or counter-mount faucet
- 9-5/16" (237 mm) depth
- 3-5/8" (92 mm) drain opening
- Stainless steel with luster finish

Material

- Premium 18-gauge stainless steel

Installation

- Undermount

Recommended Products/Accessories

- 7400 Stainless Steel Sink Drain and Strainer
- K-23726 Drain treatment
- K-23729 Stainless steel cleaner
- 20078 Sink Rack

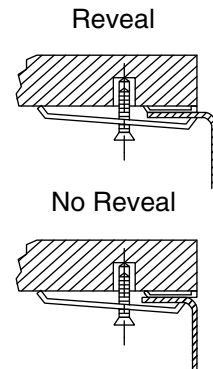
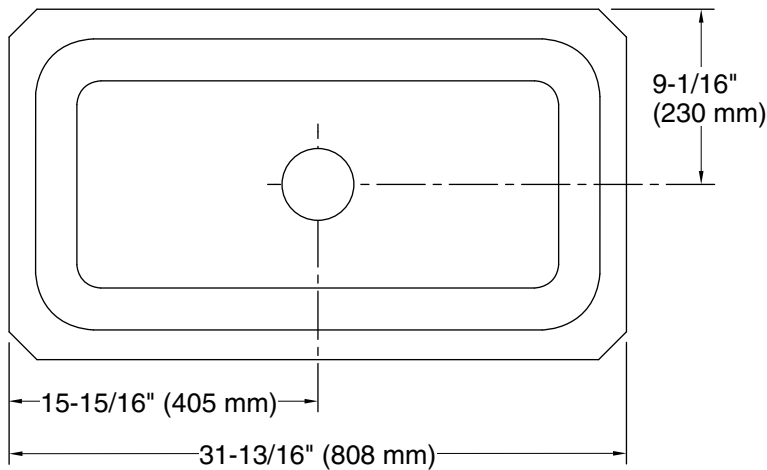


Codes/Standards

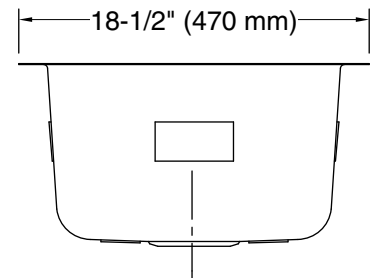
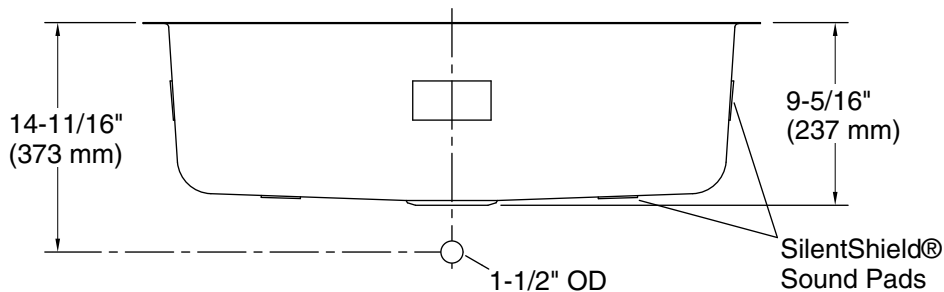
ASME A112.19.3/CSA B45.4

**STERLING® Stainless Steel Sinks
Lifetime Limited Warranty**

See website for detailed warranty information.



Mounting bracket assembly provides a secure installation.



Technical Information

All product dimensions are nominal.
 Bowl configuration: Single
 Min. base cabinet width: 36" (914 mm)
 Bowl area (Only): Length: 29-1/2" (749 mm)
 Width: 15-3/4" (400 mm)
 Bowl depth: 9" (229 mm)
 Water depth: 9" (229 mm)
 Drain hole: 3-5/8" (92 mm)
 Template: Undermount, 1315844-7, required, included

Notes

Install this product according to the installation instructions.
 Measure your actual product for roughing-in details.
 Use the supplied cut-out template to select either a hidden or exposed rim.
 Minimum base cabinet width: 33"-36" (33" cabinet may require cabinet modifications). Consult an installer for confirmation before proceeding.