

### Features

- Robust steel tube frame.
- Insulated tank to prevent sweating.
- Large flush actuator plate opening can be removed for easy access to inner tank.
- Adjustable height allows bowl to be set anywhere between 15-3/8" - 28-1/2" (391 - 724 mm) from floor.
- Dual-flush actuator offers a choice of 0.8 or 1.6 gpf (3.0 or 6.0 lpf).
- Works with the K-6299 or K 6918 bowls to create a complete solution.

### Technology

- Dual-flush technology allows you to choose between a full or partial flush.

### Installation

- Durable steel frame carrier is installed on 2" x 6" studs behind the wall. See installation guide and installation video for more detailed information.
- When installed per KOHLER installation instructions, the KOHLER in-wall tank and carrier system can support up to 880 lbs. without damage.
- Supply line sold separately.
- Requires 1201721 electrical box kit when pairing bidet seat with bowl.

### Water Conservation & Rebates

- Eligible for consumer rebates in some municipalities.

### Recommended Products/Accessories

- K-6291 Wall-Hung Toilet Cast Iron Waste Pipe
- K-6299 Wall-hung compact elongated toilet, dual-flush
- K-6918 Wall-hung compact elongated toilet, dual-flush

### Included Components

Additional Components:

6298

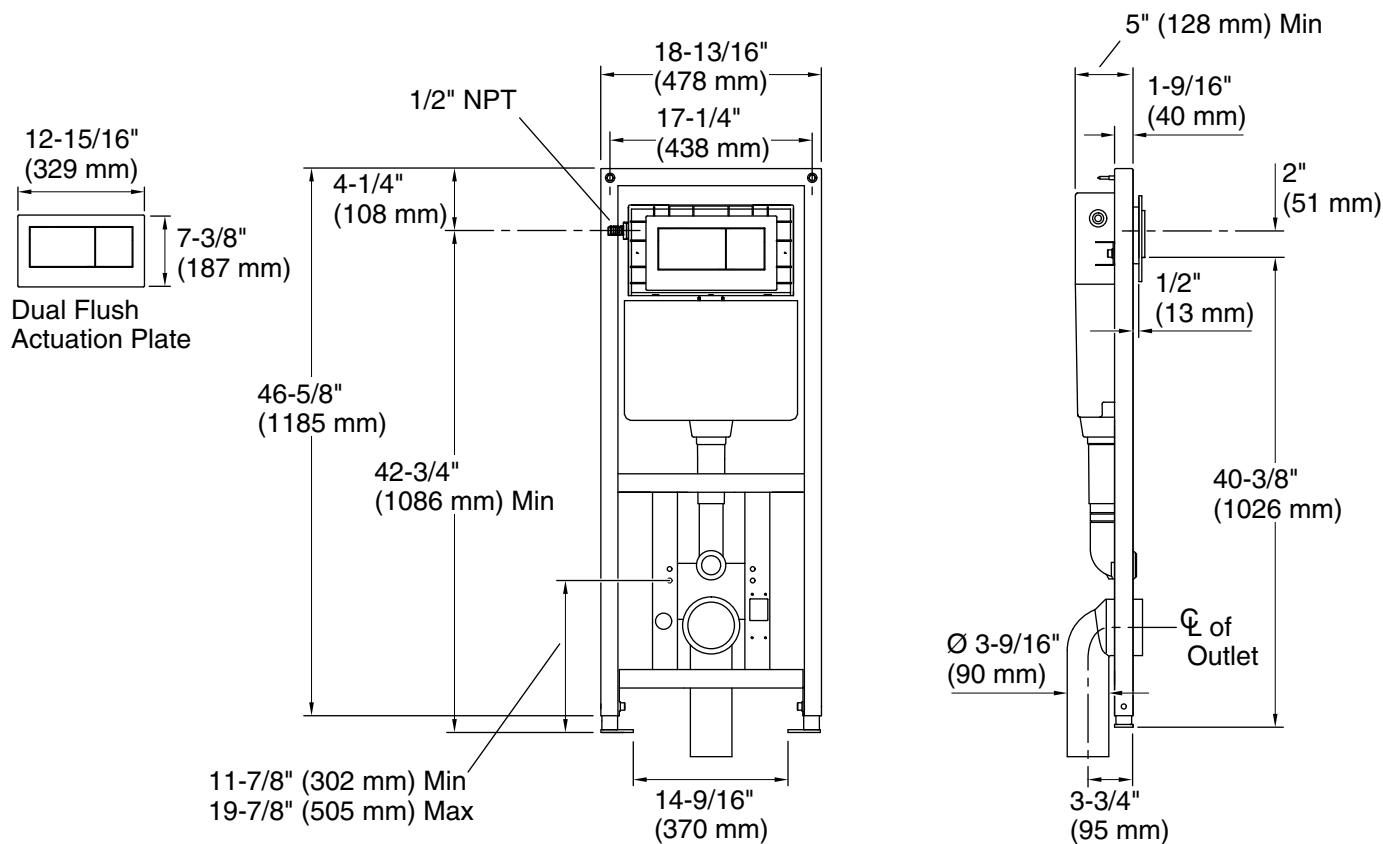


### Codes/Standards

- ASME A112.6.2
- ASME A112.19.5/CSA B45.15
- ASSE 1002
- DOE - Energy Policy Act 1992

### KOHLER® Toilets and Seats Limited Warranty

See website for detailed warranty information.



### Technical Information

All product dimensions are nominal.

Toilet type: In-wall mount  
 Waste Outlet: Wall  
 Rough-in: 4" (102 mm)

### Fixture Supply Requirements

Min static pressure: 20 psi (137.9 kPa)  
 Max static pressure: 80 psi (551.6 kPa)  
 Min flowing pressure: 15 psi (103.4 kPa)  
 Min flow rate: 1 gpm (3.8 lpm)

### Notes

Install this product according to the installation instructions.  
 Installation requires 2x6 framing.  
 Install the in-wall tank and carrier system in a wall opening 5-1/2" (140 mm) x 19" (483 mm) x 50" (1270 mm) minimum.  
 Maximum inlet water temperature shall not exceed 80°F (26.7°C).