

CHEF INSPIRED COLLECTION™ STAGES™ 45"

UNDER-MOUNT KITCHEN SINK K-3761

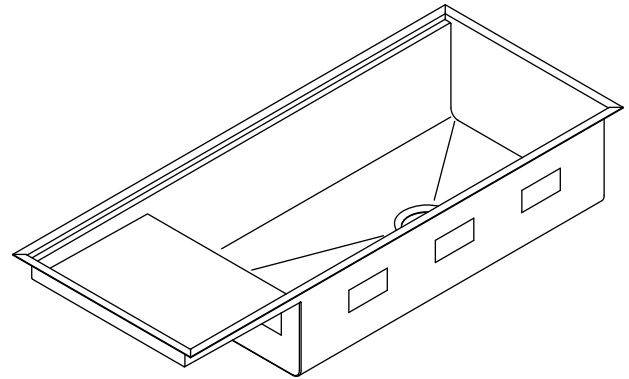
Features

- 16-gauge stainless steel
- Under-mount
- Includes installation hardware
- Single compartment with wet surface work area
- Includes wood cutting board, bowls, and serving tray/cutting board
- Includes utensil tray/cutting board, bottom bowl rack, and accessory rack
- 45" (1143 mm) x 18-1/2" (470 mm)

Codes/Standards Applicable

Specified model meets or exceeds the following:

- ASME A112.19.3/CSA B45.4



Colors/Finishes

- NA: None applicable

Accessories

- CP: Polished Chrome
- ST: Stainless Steel
- NA: None applicable
- Other: Refer to Price Book for additional colors/finishes

Specified Model

Model	Description	Colors/Finishes
K-3761	Under-mount kitchen sink	<input type="checkbox"/> NA

Included Accessories			
K-6230	Utensil tray	<input type="checkbox"/> NA	
K-6231	Flip tray	<input type="checkbox"/> NA	
K-6232	Cutting board	<input type="checkbox"/> NA	
K-6233	Bottom bowl rack		<input type="checkbox"/> ST
K-6235	Prep bowls	<input type="checkbox"/> NA	
K-6236	Accessory storage rack		<input type="checkbox"/> ST

Optional Accessories			
K-8801	Duostrainer® sink strainer	<input type="checkbox"/> CP	<input type="checkbox"/> Other_____

Product Specification

The under-mount kitchen sink shall be made of 16-gauge stainless steel. The sink shall be 45" (1143 mm) in length and 18-1/2" (470 mm) in width. Sink shall include wood cutting board, bowls, and serving tray/cutting board. Sink shall include utensil tray/cutting board, bottom bowl rack, and accessory rack. Sink shall be single compartment with wet surface work area. Sink shall include installation hardware. Sink shall be Kohler Model K-3761-_____.

CHEF INSPIRED COLLECTION™ STAGES™ 45"

Technical Information

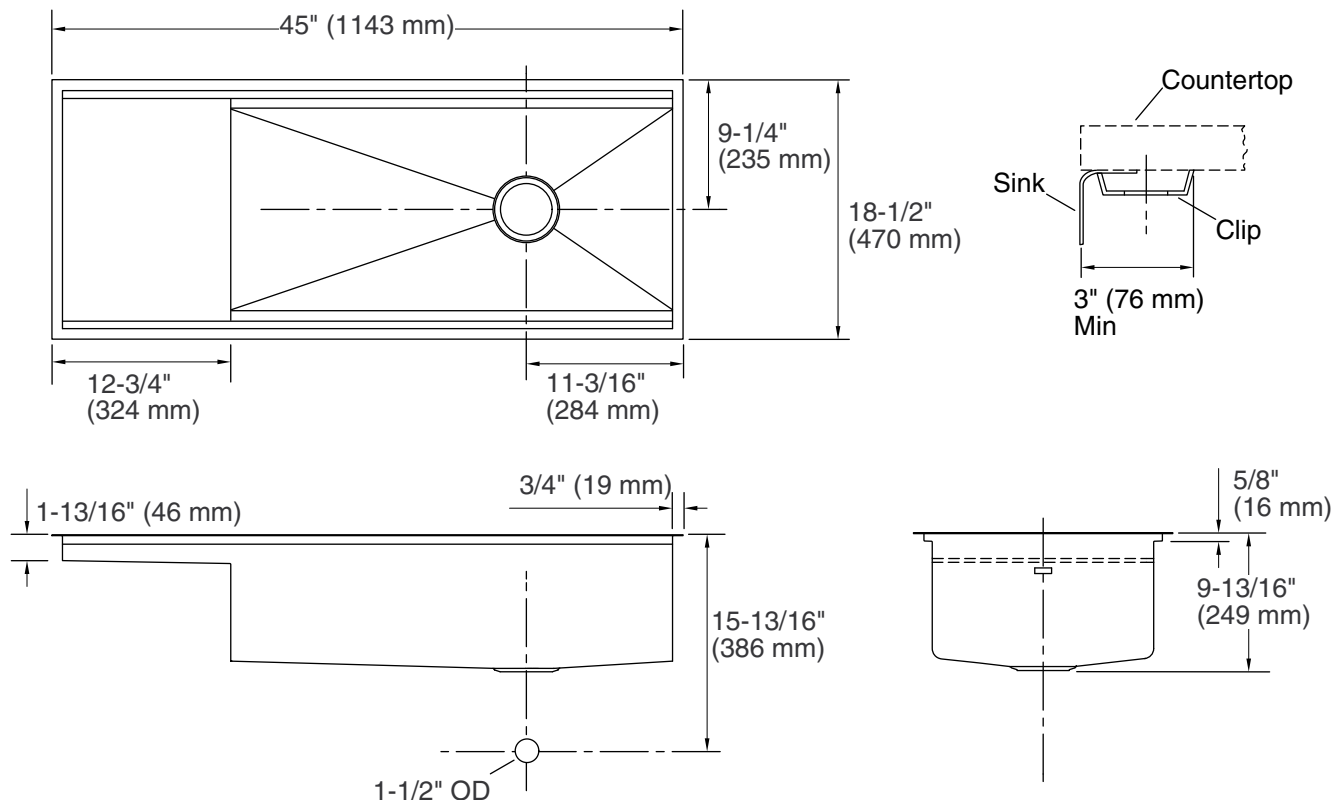
Fixture*:	
Bowl area	43-1/2" (1105 mm) x 17" (432 mm)
Water depth	9-1/2" (241 mm)
Drain hole	Ø 3-5/8" (92 mm)
*Approximate measurements for comparison only.	

Included components:	
Hardware kit	91915
Cut-out template	1109794-7

Installation Notes

Install this product according to the installation guide.

Allow a minimum of 3" (76 mm) clearance around the sink rim for clip attachment.



Product Diagram