

Features

- High-flow thermostatic mixing valve
- Thermostatic technology automatically maintains outlet temperature during water pressure fluctuations and/or inlet water temperature changes
- Single-handle temperature control
- 17.2 gpm flow rate at 45 psi (3.1 bar)
- 3/4" female NPT inlet connections
- Two 3/4" female NPT outlet connections
- Service stops with integral filters
- Antiscald protection
- Adjustable comfort setting (preset at approximately 104°F)
- Integrated adjustable high-temperature limit stop to control maximum water temperature
- Requires volume control valve trim (sold separately)
- Requires thermostatic trim (sold separately)

Material

- Forged dezincification-resistant brass body provides long term reliability and resistance to aggressive water conditions
- Advanced materials selected for resistance to seizing or attack from aggressive water conditions

Installation

- Fully-serviceable from the front of the valve
- Cartridge is reversible for installations where hot and cold supplies are reversed
- Requires K-9663 twin ell (sold separately) when using a diverter spout

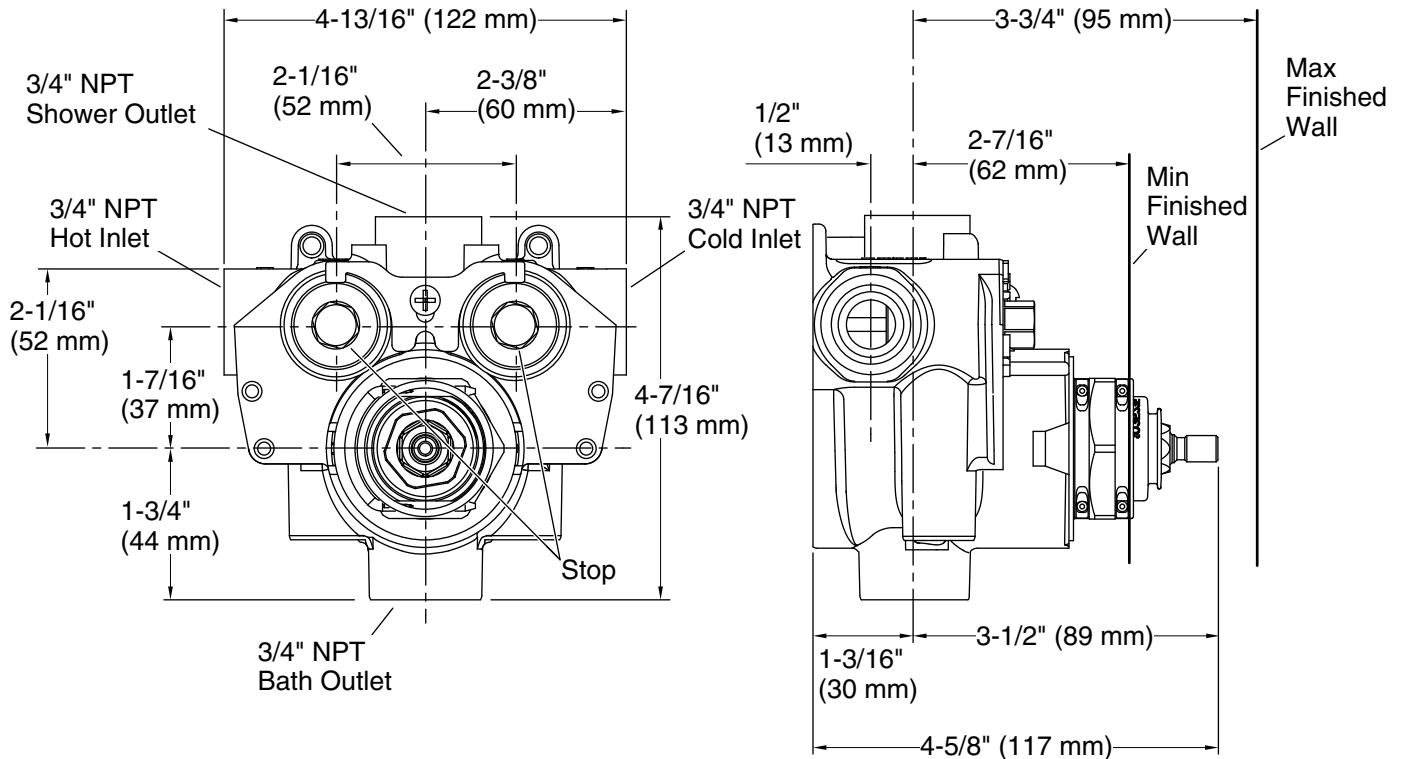


Codes/Standards

ASME A112.18.1/CSA B125.1
ASSE 1016/ASME A112.1016/CSA B125.16

KOHLER[®] Faucet Lifetime Limited Warranty

See website for detailed warranty information.



Technical Information

All product dimensions are nominal.

Notes

Install this product according to the installation guide.

For bath-only or shower-only installations, an NPT plug must be installed in the unused outlet.