



# Vox® Rectangle

Vessel bathroom sink  
**K-5373**

## Features

- No faucet holes; requires wall- or counter-mount faucet.

## Material

- Vitreous china.

## Installation

- Drop-in or vessel.

## Recommended Products/Accessories

- K-23726 Drain treatment
- K-23725 Cast iron cleaner



**ADA** **CSA B651**

## Codes/Standards

ASME A112.19.2/CSA B45.1  
ADA  
ICC/ANSI A117.1  
CSA B651


## KOHLER® One-Year Limited Warranty

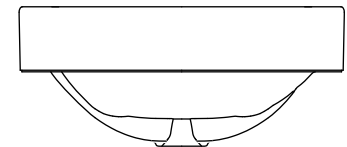
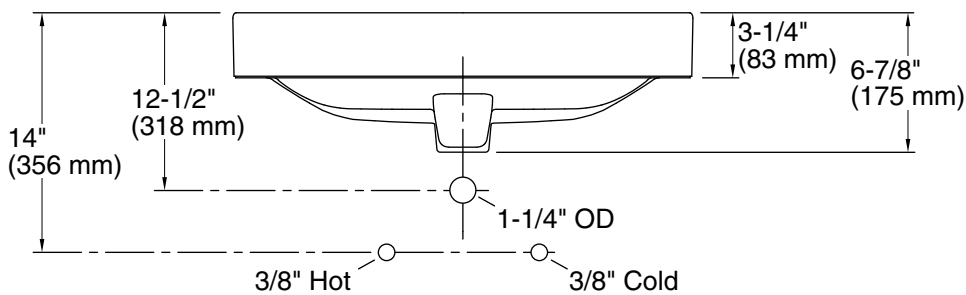
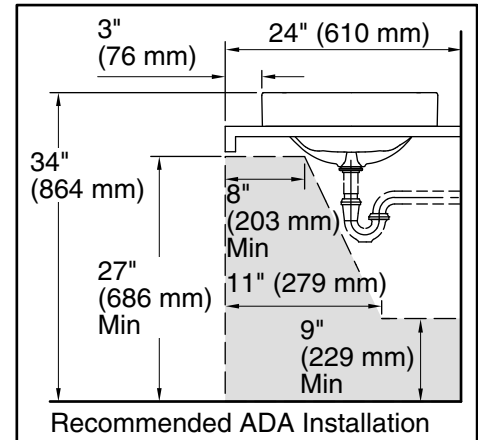
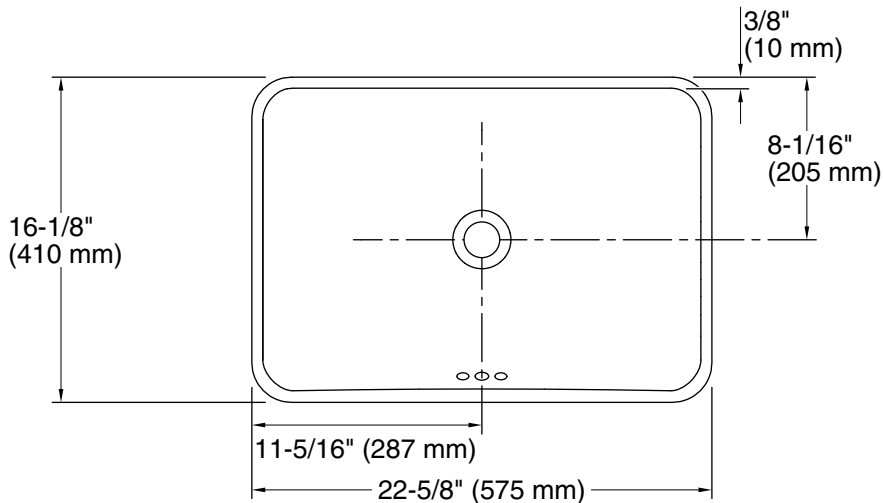
See website for detailed warranty information.

## Available Colors/Finishes

*Color tiles intended for reference only.*

Color	Code	Description
-------	------	-------------

	0	White
---	---	-------



### Technical Information

All product dimensions are nominal.

Bowl configuration:	Single
Installation:	Vessel
Bowl area (Only):	Length: 21-7/8" (556 mm) Width: 15-3/8" (391 mm) Bowl depth: 5" (127 mm) Water depth: 3-1/4" (83 mm)
Template:	1245920-7, required, included

### Notes

Install this product according to the installation instructions.

**NOTICE:** Countertop manufacturer or cutter must use the cut-out template provided with the product, or a current one provided by Kohler Co. (call 1-800-4-KOHLER). Kohler Co. is not responsible for cutout errors when the incorrect cut-out template is used.

ADA, CSA B651 compliant when installed to the specific requirements of these regulations.