



# Vault™

Top-mount/undermount large single-bowl kitchen sink  
**K-3821-4**

## Features

- 36" minimum base cabinet width.
- Single bowl.
- 9" (229 mm) depth provides generous workspace.
- Rear drain increases workspace in the sink and storage space underneath.
- Includes installation hardware and bottom sink rack.

## Material

- Handcrafted from 18-gauge stainless steel.
- Premium 18-gauge stainless steel.

## Installation

- Top-mount or undermount.

## Recommended Products/Accessories

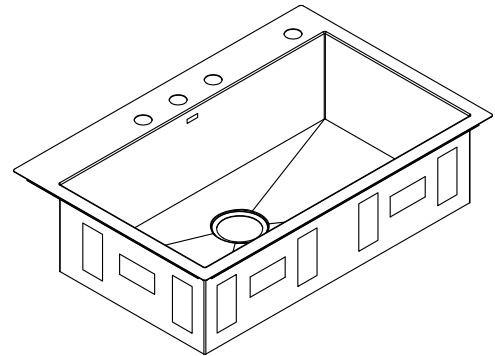
- K-6644 Sink rack for Vault™ and Strive® kitchen sinks
- K-8801 Sink drain and strainer with tailpiece
- K-8799 Sink drain and strainer basket
- K-23726 Drain treatment
- K-23729 Stainless steel cleaner

## Optional Products/Accessories

- K-6429 Utility Rack
- K-6667 Wood Cutting Board
- 1177161
- K-11352 Disposal Flange with Stopper

## Included Components

- Additional Components:
- 1130570
  - 6644

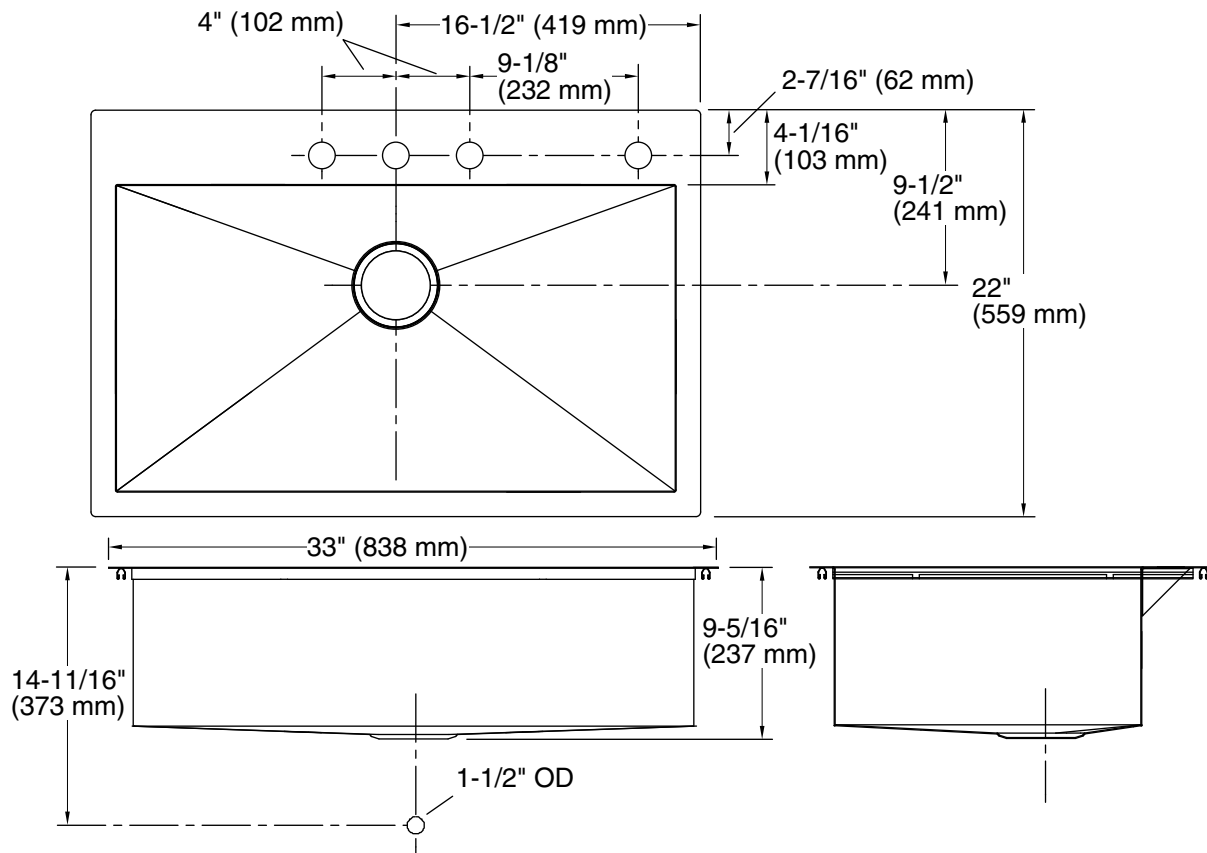


## Codes/Standards

ASME A112.19.3/CSA B45.4

## Lifetime Limited Warranty for KOHLER® Stainless Steel Sinks

See website for detailed warranty information.



### Technical Information

All product dimensions are nominal.

Bowl configuration:	Single
Installation:	Top-mount, Undermount
Center(s):	4
Min. base cabinet width:	36" (914 mm)
Bowl area (Only):	Length: 30-1/4" (768 mm) Width: 16-9/16" (421 mm) Water depth: 9" (229 mm)
Number of deck holes:	4
Faucet hole spacing:	4" (102 mm)
Faucet hole(s):	1-7/16" (37 mm)
Drain hole:	3-7/8" (98 mm)
Template:	1130821-7, required, included

### Notes

Install this product according to the installation instructions.

Allow 3/4" (19 mm) clearance beyond the back of the bowl for the wood cutting board (optional accessory).