

### Features

- Single fin-shaped handle is easy to grasp and makes adjusting water temperature easy.
- KOHLER ceramic disc valves exceed industry longevity standards for a lifetime of durable performance.
- Laminar flow aerator ensures a splash-free water flow.
- Includes plastic clicker drain with 1-1/4" metal tailpiece.
- 1.2 gpm (4.5 lpm) maximum flow rate at 60 psi (4.14 bar).
- Box includes: Assembled faucet, supply lines, escutcheon plate, drain.

### Material

- Premium material construction for durability and reliability.
- Select KOHLER finishes feature ScratchShield® technology which withstands even the toughest daily use.

### Installation

- Single-hole or three-hole installation (escutcheon plate included).
- Simplified faucet assembly; mounting hardware requires no special tools.

### Recommended Products/Accessories

- K-23726 Drain treatment
- K-23723 Faucet cleaner



ADA

CSA B651

OBC

### Codes/Standards

ASME A112.18.1/CSA B125.1  
NSF/ANSI 61  
NSF/ANSI 372  
All applicable US Federal and State material regulations  
DOE - Energy Policy Act 1992  
EPA WaterSense®  
California Energy Commission (CEC)  
ADA  
ICC/ANSI A117.1  
CSA B651  
OBC

### KOHLER® Faucet Lifetime Limited Warranty

See website for detailed warranty information.

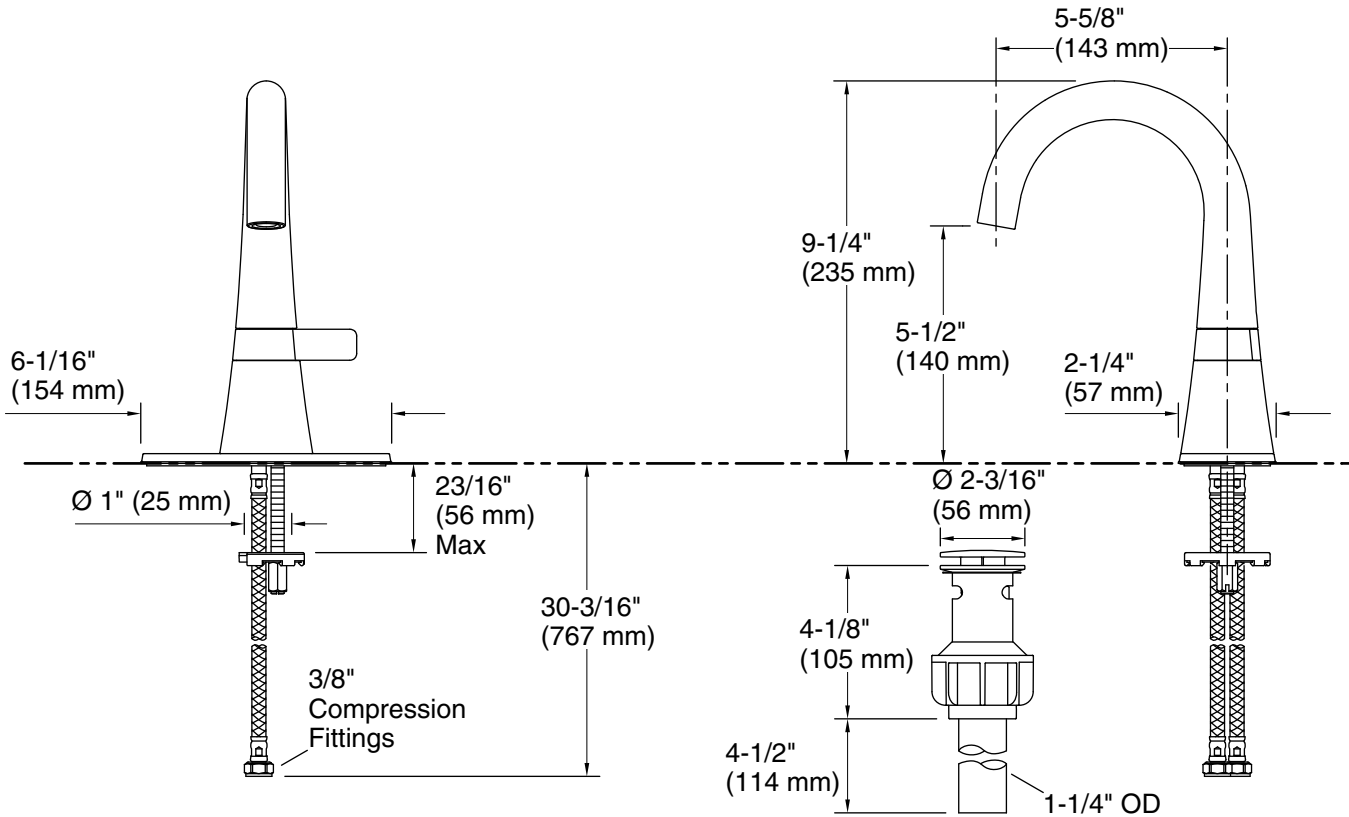
### Available Colors/Finishes

*Color tiles intended for reference only.*

Color	Code	Description
-------	------	-------------



CP	Polished Chrome
BN	Vibrant® Brushed Nickel



### Technical Information

All product dimensions are nominal.

#### Faucet:

Flow rate: 1.2 gal/min (4.5 l/min)

Valve body: Plastic

Drain included: Yes

Drain with overflow: Yes

Fixture pressure max (static): 125 psi (861.8 kPa)

#### Pressure and Supply Requirements

Fixture pressure min (static): 20 psi (137.9 kPa)

#### Fixture Supply Requirements

Min static pressure: 20 psi (137.9 kPa)

Max static pressure: 125 psi (861.8 kPa)

### Notes

Install this product according to the installation instructions.

ADA compliant for handles only.

ADA, OBC, CSA B651 compliant when installed to the specific requirements of these regulations.