

Features

- 8" (203 mm) center.
- Swivel/rigid gooseneck spout.
- 8-3/16" (208 mm) spout reach.
- 1/4-turn full brass ceramic valve.
- 1.8 gpm (6.8 lpm) maximum flow rate at 60 psi (4.14 bar).
- Vandal-resistant aerator.
- 2-7/16" vandal-resistant metal lever handles.
- Drain sold separately.

Material

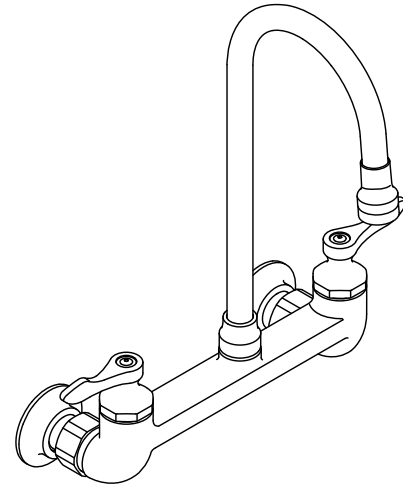
- Solid-brass construction with thick chrome plating for rough commercial applications.

Installation

- Eccentric inlet shanks for easy installation.

Recommended Products/Accessories

K-23723 Faucet cleaner



ADA

CSA B651

OBC

Codes/Standards

ASME A112.18.1/CSA B125.1

NSF/ANSI 61

NSF/ANSI 372

All applicable US Federal and State material regulations

DOE - Energy Policy Act 1992

California Energy Commission (CEC)

ADA

ICC/ANSI A117.1

CSA B651

OBC

KOHLER[®] One-Year Limited Warranty

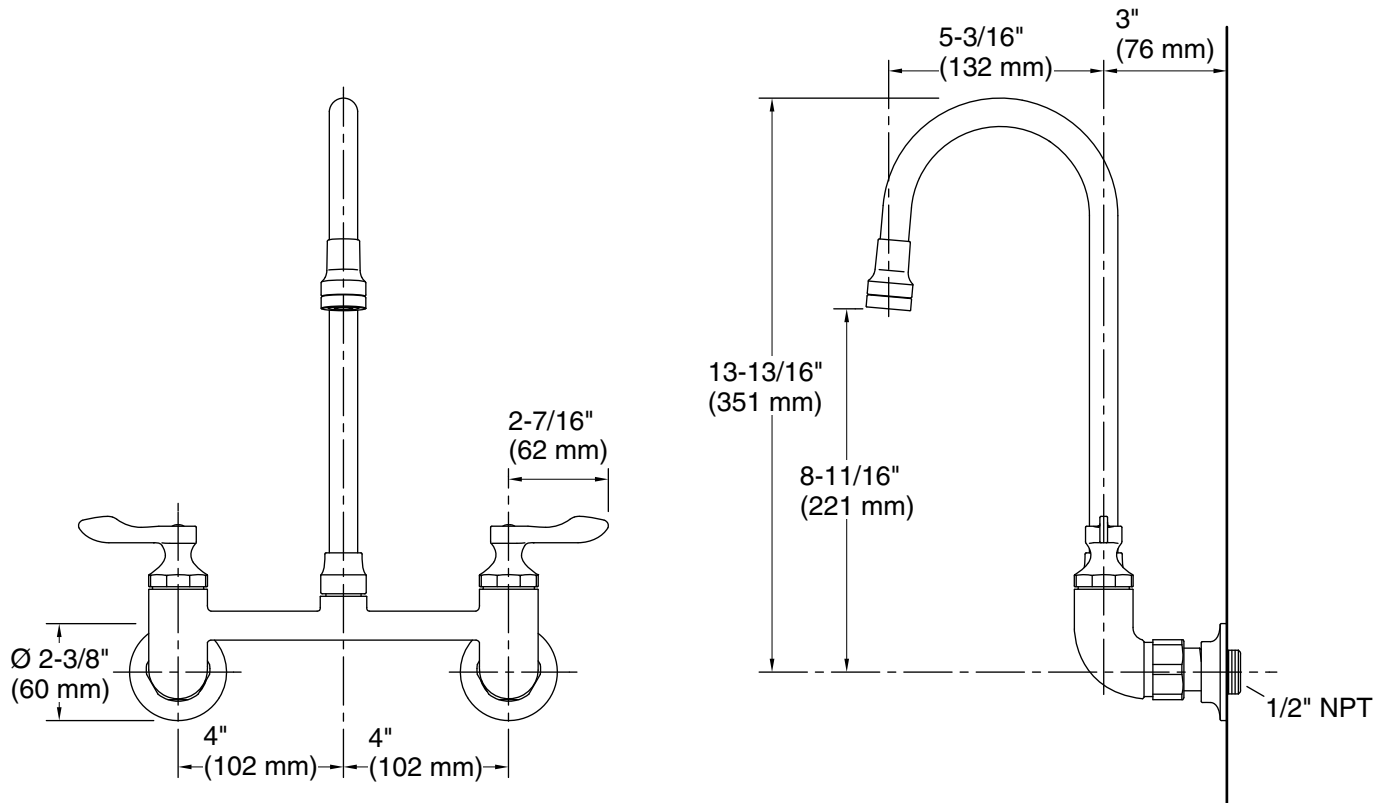
See website for detailed warranty information.

Available Colors/Finishes

Color tiles intended for reference only.

Color	Code	Description
-------	------	-------------

	CP	Polished Chrome
---	----	-----------------



Technical Information

All product dimensions are nominal.

Faucet:

Flow rate: 1.75 gal/min (6.6 l/min)

Pressure: 60 psi (4.1 bar)

Valve body: Cast brass

Drain included: No

Spout:

Spout reach: 8-3/16" (208 mm)

Handle clearance: 3" (76 mm)

Notes

Install this product according to the installation instructions.

ADA compliant for handles only.

ADA, OBC, CSA B651 compliant when installed to the specific requirements of these regulations.