



Verdera™
24" x 34" oval framed medicine cabinet
K-35571

Features

- Front mirror, inside door mirror, and back panel mirror provide superior visibility
- Two adjustable tempered-glass shelves
- Finish-matched cabinet interior
- Half-shelf adjustable accessory for additional storage included
- Hinges have 110° opening capability

Material

- Anodized aluminum construction with a durable rustproof and chip-resistant finish

Installation

- Surface-mount or recessed
- Can be installed with left- or right-hand swing



Codes/Standards




ANSI Z97.1
CPSC 16CFR 1201
EPA TSCA Title VI/CARB P2

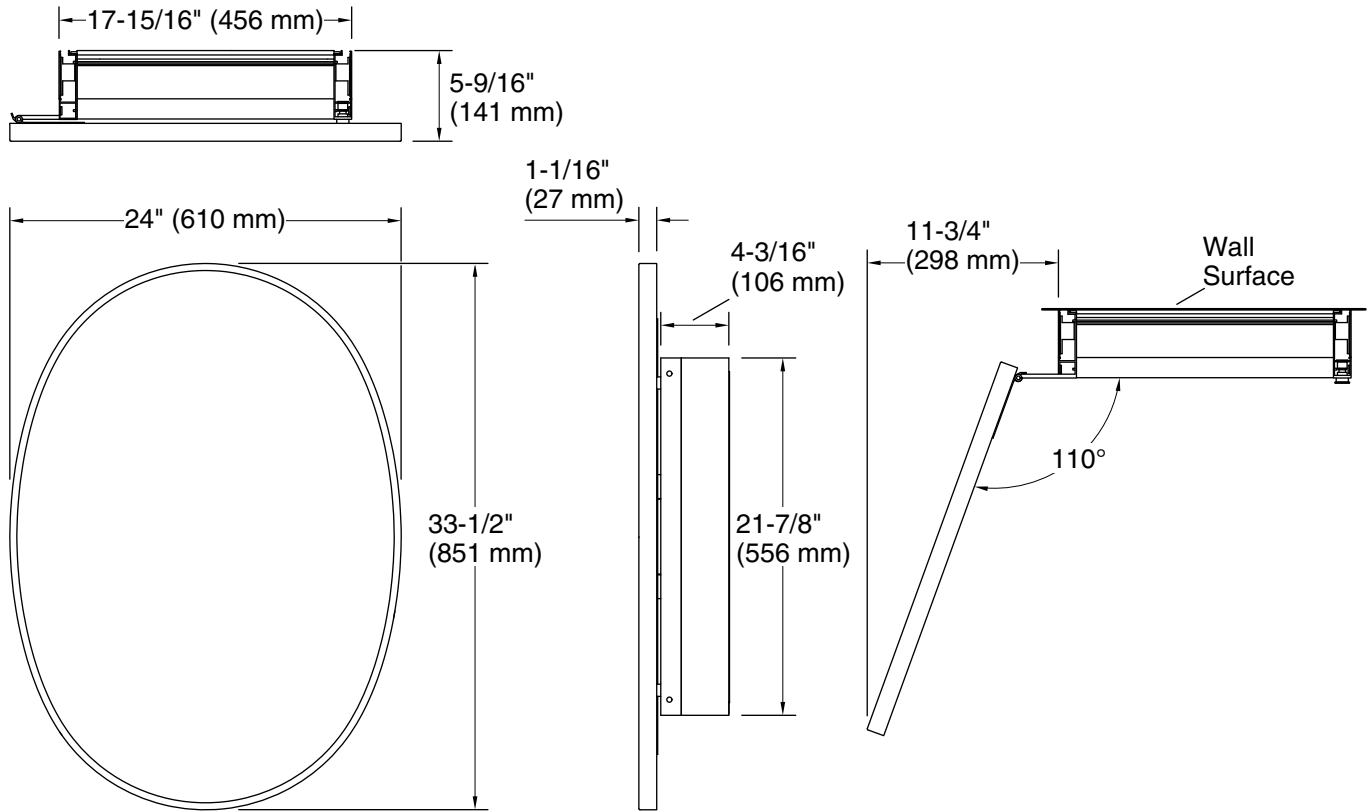
**KOHLER® One-Year Limited
Warranty**

See website for detailed warranty information.

Available Colors/Finishes

Color tiles intended for reference only.

Color	Code	Description
	BGL	Moderne Brushed Gold
	BNL	Brushed Nickel
	BLL	Matte Black



Technical Information

All product dimensions are nominal.

Notes

Install this product according to the installation instructions.

Select the type of fastener based on the wall material. A minimum 220.4 lb (100 kg) load bearing fastener is recommended. Install the fastener to a stud to avoid possible property and product damage.