



One-piece elongated toilet with skirted trapway, dual-flush  
**Veil®**  
**K-1381**

**Features**

- One-piece toilets integrate the tank and bowl into a seamless, easy-to-clean design.
- Elongated bowl offers added room and comfort.
- Dual flush offers a choice of 0.8 or 1.28 gpf (3.0 or 4.8 lpf).
- Left-hand Polished Chrome trip lever.
- 2-1/8" (54 mm) glazed trapway.
- Skirted trapway simplifies cleaning.
- Quiet-Close™ elongated seat closes quietly.
- Vitreous china.

**Installation**

- Standard 12" (305 mm) rough-in.
- Requires mounting plate 1362736 for heated seat installation.

**Recommended Products/Accessories**

- 1023457
- 1265114
- K-23726 Drain treatment

**Included Components**

- Additional Components:
- 1422715 Quiet-Close Seat



**Codes/Standards**

- ASME A112.19.2/CSA B45.1
- ASME A112.19.14
- DOE - Energy Policy Act 1992
- EPA WaterSense®
- California Energy Commission (CEC)

**KOHLER® Toilets and Seats Limited Warranty**

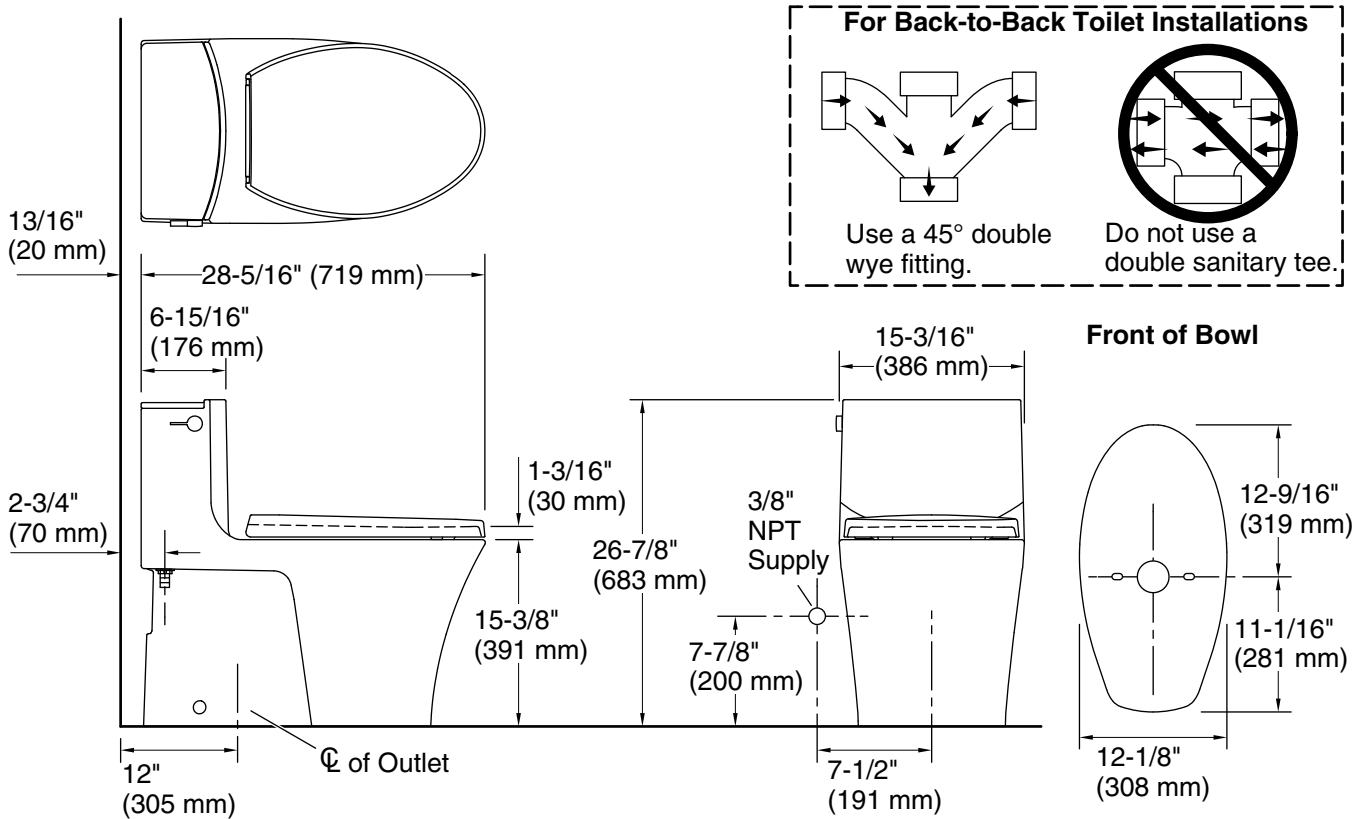
See website for detailed warranty information.

**Available Colors/Finishes**

*Color tiles intended for reference only.*

**Color Code Description**

	0	White
--	---	-------



## Technical Information

All product dimensions are nominal.

Toilet type:	Floor-mount
Waste Outlet:	Floor
Bowl shape:	Compact elongated
Flush type:	Gravity siphon jet
Trap passageway:	2-1/8" (54 mm)
Water Consumption	
Full:	1.28 gpf (4.8 lpf)
Reduced:	0.8 gpf (3 lpf)
Water surface size:	9" x 7-1/4" (229 mm x 184 mm)
Rim to water surface:	5-3/8" (137 mm)
Rough-in:	12" (305 mm)
Template:	Footprint, 1262234-7, not required, included

## Notes

Install this product according to the installation instructions.

## Fixture Supply Requirements

Min static pressure:	20 psi (137.9 kPa)
Max static pressure:	80 psi (551.6 kPa)

1-800-4KOHLER (1-800-456-4537)

Kohler Co. reserves the right to make revisions without notice to product specifications.

For the most current Specification Sheet, go to [www.kohler.com](http://www.kohler.com).

10-1-2022 20:47 - US/CA