

### Features

- Single lever handle is simple to use and makes adjusting water temperature easy.
- Premium KOHLER finishes with ScratchShield™ technology withstands even the toughest daily use.
- Compatible with 1- or 3-hole sinks.
- One piece, self-contained ceramic disc valve allows both volume and temperature control.
- Ceramic disc valves exceed industry longevity standards, ensuring durable performance for life.
- 1.2 gpm (4.5 lmin) maximum flow rate.

### Material

- Premium material construction for durability and reliability.

### Installation

- Simplified faucet assembly; mounting hardware requires no special tools.

### Recommended Products/Accessories

- K-23726 Drain treatment
- K-23723 Faucet cleaner



**ADA** **CSA B651** **OBC**

### Codes/Standards

ASME A112.18.1/CSA B125.1  
NSF/ANSI 61  
NSF/ANSI 372  
DOE - Energy Policy Act 1992  
EPA WaterSense®  
California Energy Commission (CEC)  
ADA  
ICC/ANSI A117.1  
CSA B651  
OBC


### KOHLER® Faucet Lifetime Limited Warranty

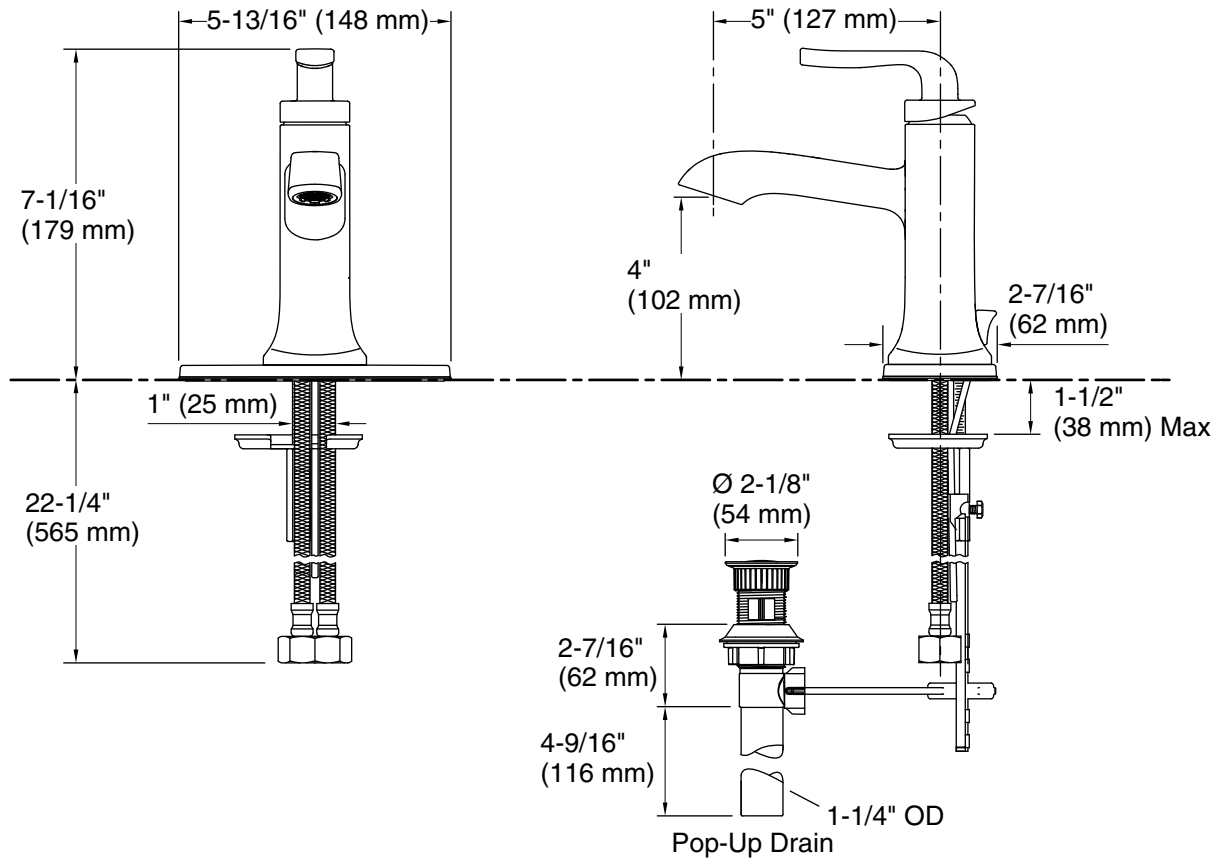
See website for detailed warranty information.

### Available Colors/Finishes

*Color tiles intended for reference only.*

Color	Code	Description
-------	------	-------------

	CP	Polished Chrome
	BN	Vibrant® Brushed Nickel
	BL	Matte Black



### Technical Information

All product dimensions are nominal.

#### Faucet:

Flow rate: 1.2 gal/min (4.5 l/min)

Pressure: 60 psi (4.1 bar)

Valve body: Plastic

Drain included: Yes

Drain with overflow: Yes

Drain tailpiece included: Yes

#### Spout:

Spout reach: 5" (127 mm)

### Notes

Install this product according to the installation guide.

ADA, OBC, CSA B651 compliant when installed to the specific requirements of these regulations.