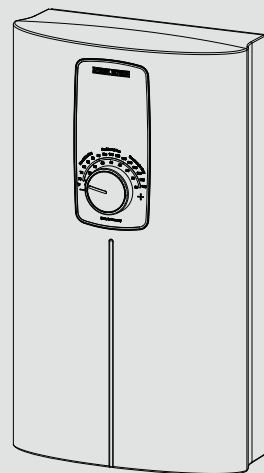


OPERATION AND INSTALLATION

FUNCIONAMIENTO E INSTALACIÓN

Electronically controlled electric tankless water heater
Calentador eléctrico de agua sin tanque con control electrónico

- » DCE 10 Plus
- » DCE 13 Plus
- » DCE 15 Plus



STIEBEL ELTRON



Certified to ANSI/UL Std. 499
Conforms to CAN/CSA Std. C22.2 No. 64
Certificación con ANSI/UL Std. 499
Conforme a CAN/CSA Std. C22.2 No.64

CONTENTS

A. QUICK START GUIDE

SPECIAL INFORMATION

OPERATION

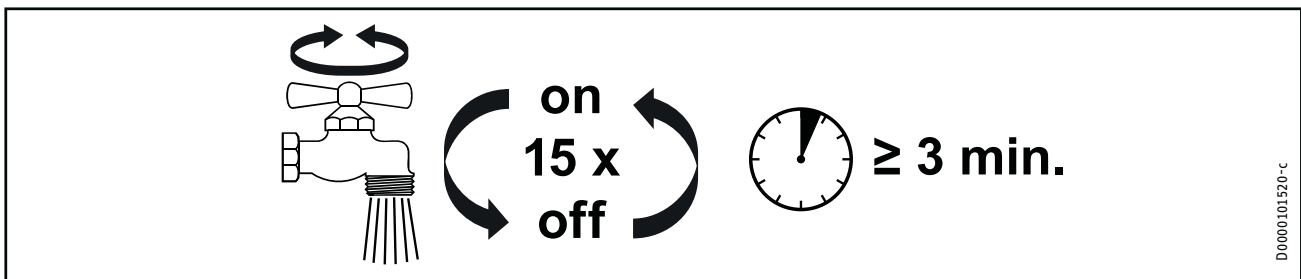
1. General information	6
1.1 Safety instructions	6
1.2 Other symbols in this documentation	6
1.3 Units of measurement	6
2. Safety	6
2.1 Intended use	6
2.2 General safety instructions	6
2.3 Test symbols	7
2.4 Licenses / certificates	7
3. Water heater description	7
3.1 Setting the temperature	8
3.2 Recommended settings	8
4. Cleaning, care and maintenance	8
5. Troubleshooting	8
6. Safety	9
6.1 General safety instructions	9
6.2 Instructions, standards and regulations	9
7. Water heater description	9
7.1 Standard delivery	9
7.2 Accessories	9
8. Preparation	9
8.1 Installation site	9
8.2 Minimum clearances	10
8.3 Water connections	10
8.4 Permissible water connection materials	10
9. Installation	10
9.1 Standard non-concealed installation	11
9.2 Electrical connection	11
10. Commissioning	12
10.1 Internal anti-scalding protection via jumper slot	12
10.2 Changing power output via the jumper slot; only for models with selectable power output	12
10.3 Initial start-up	12
10.4 Operation with preheated water	13
10.5 Recommissioning	13
11. Water heater shutdown	13
12. Alternative installation methods	14
12.1 Concealed installation, electrical connection from below	14
12.2 Electrical connection with short power cable	14
12.3 Concealed installation, electrical connection from above	14
12.4 Electrical connection from the side, non-concealed installation	14
12.5 Concealed installation, water connections	14
13. Service information	15
14. Troubleshooting	16
15. Maintenance	17
15.1 Draining the water heater	17
15.2 Cleaning the filter screen	17
16. Specification	18
16.1 Dimensions and connections	18

16.2 Wiring diagram	18
16.3 DHW output	19
16.4 Application areas/conversion table	19
16.5 Pressure drop	19
16.6 Fault conditions	19
16.7 Data table	20
17. Warranty	21

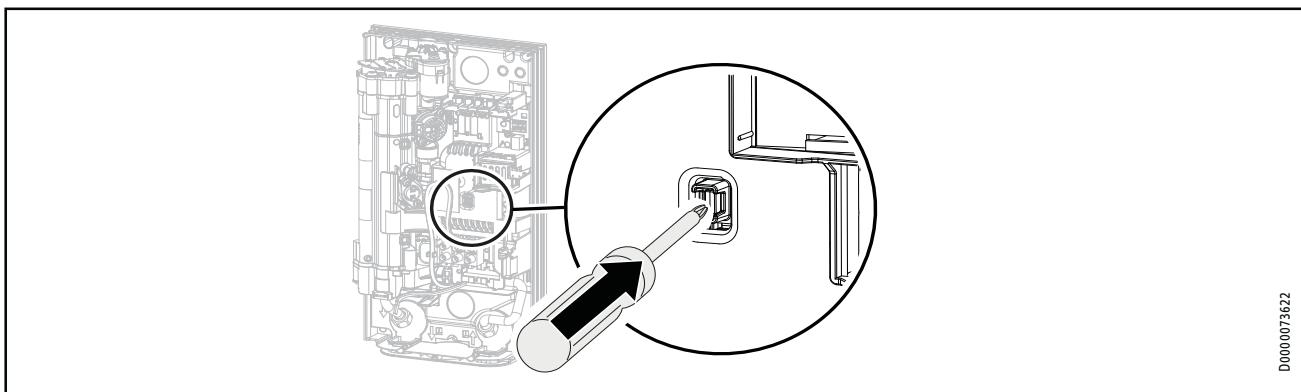
A. QUICK START GUIDE

Before turning on power to the water heater, you **MUST flush all air out of the system, then engage the AE3 safety switch. The unit will **NOT** operate until the AE3 safety switch has been engaged.**

- 1** Mount the unit to the wall (see section 9.1, “Standard non-concealed installation”, pg. 11).
- 2** Hook up water connections (see section 8.3, “Water connections”, pg. 10).
- 3** Hook up electrical connections, but keep circuit breaker off. (See section 9.2, “Electrical connection”, pg. 11)



- 4** Open and close all connected draw-off valves at least 15 times, for at least 3 minutes total, until all air has been purged from the pipework and the water heater.
- 5** Ensure there are no water leaks from any plumbing connections.

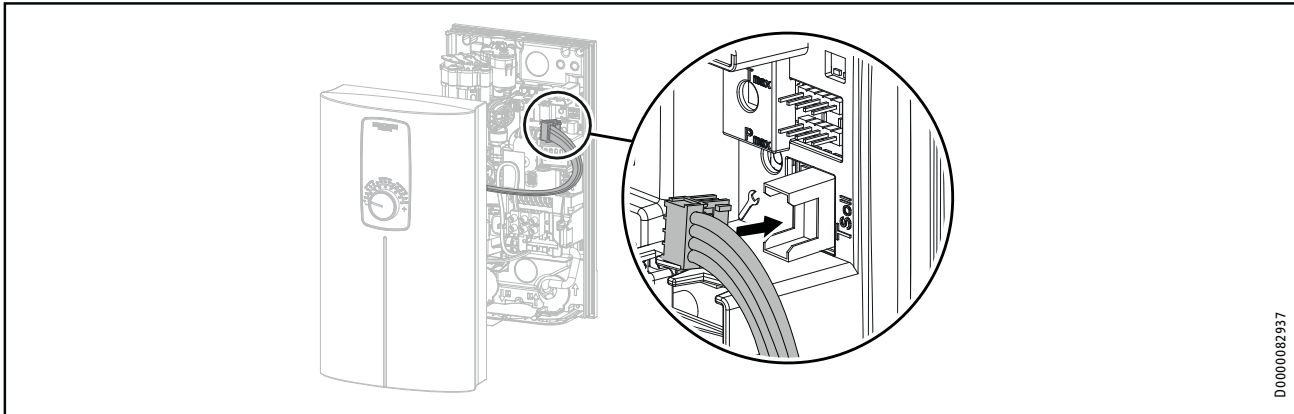


- 6** Engage the AE3 safety switch by firmly pressing the white reset button until it **clicks** and **fully locks in place** (the water heater is delivered with the safety switch disengaged).

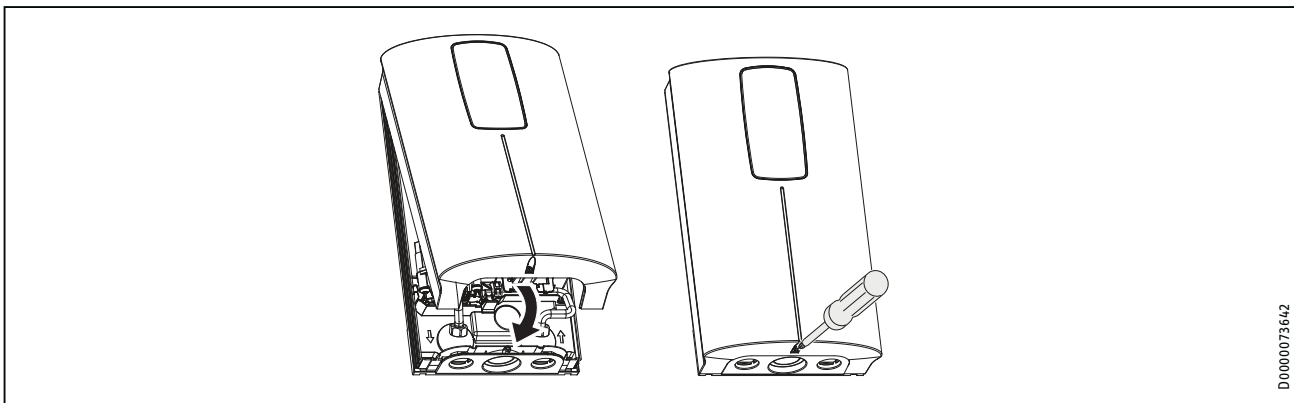
Next >

A. QUICK START GUIDE

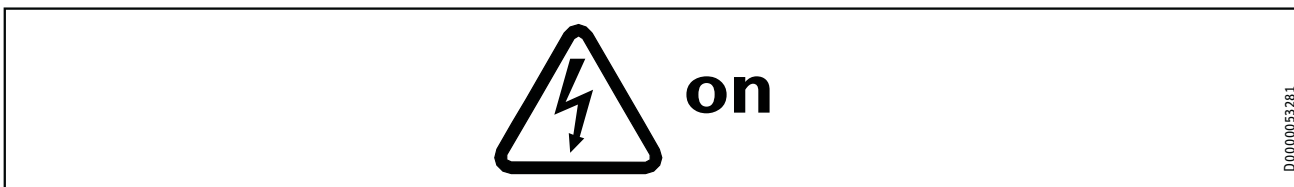
- 7** Make sure the cable between the controls on the front cover and the main unit is plugged in on both ends in the correct plug.



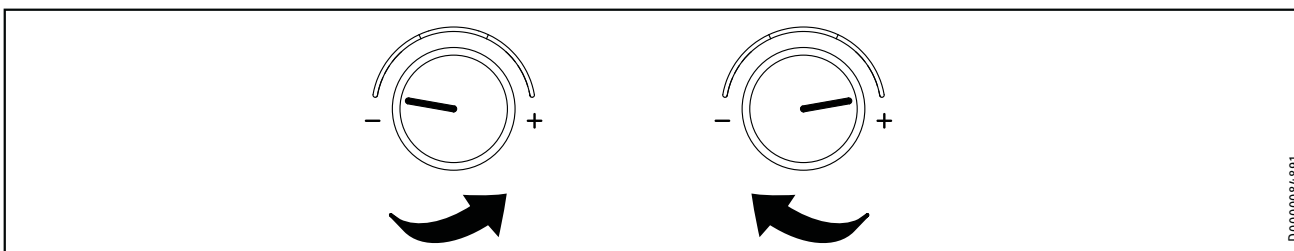
- 8** Hook the cover into the water heater rear cover at the top rear. Pivot the cover downwards. Check that the cover is securely seated at both top and bottom.



- 9** Secure the cover with the screw.
10 Remove the protective film from the front panel.
11 Turn on power to the water heater at the circuit breaker in the breaker panel.



- 12** Ensure that the programming unit is functioning correctly.
13 Turn the temperature selector fully to its left-hand, and then right-hand end-stop.



SPECIAL INFORMATION

- Read this entire manual. Failure to follow all the guides, instructions and rules could cause personal injury or property damage. Improper installation, adjustment, alteration, service and use of this unit can result in serious injury.
- This unit must be installed by a licensed electrician and plumber. The installation must comply with all national, state and local plumbing and electric codes. Proper installation is the responsibility of the installer. Failure to comply with the installation and operating instructions or improper use voids the warranty.
- Save these instructions for future reference. The installer should leave these instructions with the consumer.
- If you have any questions regarding the installation, use or operation of this water heater, or if you need any additional installation manuals, please call our technical service line at 800.582.8423 (USA and Canada only). If you are calling from outside the USA or Canada, please call USA 413.247.3380 and we will refer you to a qualified Stiebel Eltron service representative in your area.
- The water heater may be used by children aged 3 and older and persons with reduced physical, sensory or mental capabilities or a lack of experience and know-how, provided that they are supervised or they have been instructed on how to use the water heater safely and have understood the potential risks. Children must never play with the water heater. Children must never clean the water heater or perform user maintenance unless they are supervised.
- The water heater is suitable for supplying a shower in many climates (shower operation). If the water heater is also or exclusively used for shower operation, the qualified contractor must adjust the temperature setting range to 131 °F (55 °C) or less using the internal anti-scalding protection on the water heater. When using preheated water, it must be ensured that the inlet temperature does not exceed 131 °F (55 °C).
- Ensure the water heater can be separated from the power supply by a circuit breaker that disconnects all poles with at least 1/8" (3 mm) contact separation.
- The specified voltage must match the power supply. See the type plate on the right-hand side of the water heater for full information.
- **CAUTION: DO NOT INSTALL IN A BATH ENCLOSURE OR SHOWER STALL OR CONNECT TO A SALT-REGENERATED WATER SOFTENER OR A WATER SUPPLY OF SALT WATER**
FOR USE ON AN INDIVIDUAL BRANCH CIRCUIT ONLY
CAUTION: CONNECT ONLY TO A CIRCUIT PROTECTED BY A CLASS A GROUND FAULT CIRCUIT INTERRUPTER
USE COPPER CONDUCTORS ONLY
USE BONDING CONDUCTOR IN ACCORDANCE WITH THE CANADIAN ELECTRICAL CODE, PART I
- The water heater must be properly grounded. See section 16.2, "Wiring diagram", pg. 18.
- The water heater must be permanently connected to fixed wiring. For use on an individual branch circuit only. See section 16.2, "Wiring diagram", pg. 18.
- Secure the water heater as described in chapter 9, "Installation", pg. 10.
- Observe the maximum permissible water supply pressure of 145 psi (10 bar). See section 16.7, "Data table", pg. 20.
- Observe the minimum permissible water supply pressure of 26.1 psi (1.8 bar). See section 16.7, "Data table", pg. 20.
- Drain the water heater as described in section 15.1, "Draining the water heater", pg. 17.

OPERATION

1. General information

Chapters "Special information" and "Operation" are intended for both users and qualified contractors.

Chapter "Installation" is intended for qualified contractors.



Note

Read these instructions carefully before using the water heater and retain them for future reference. Pass on the instructions to a new user if required.

1.1 Safety instructions

1.1.1 Structure of safety instructions



KEYWORD Type of risk

Here, possible consequences are listed that may result from failure to observe the safety instructions.

► Steps to prevent the risk are listed.

1.1.2 Symbols, type of risk

Symbol	Type of risk
	Injury
	Electrocution
	Burns (burns, scalding)

1.1.3 Keywords

KEYWORD	Meaning
DANGER	Failure to observe this information will result in serious injury or death.
WARNING	Failure to observe this information may result in serious injury or death.
CAUTION	Failure to observe this information may result in non-serious or minor injury.

1.2 Other symbols in this documentation



Note

General information is identified by the adjacent symbol. ► Read these texts carefully.

Symbol	Meaning
	Material losses (Water heater damage, consequential losses and environmental pollution)
	Appliance disposal

► This symbol indicates that you have to do something. The action you need to take is described step by step.

1.3 Units of measurement



Note

All measurements are given in inches (millimeters) unless otherwise stated.

2. Safety

2.1 Intended use

This water heater is suitable for heating domestic hot water or for reheating preheated water. The water heater can supply one or more draw-off points.

Water will not be reheated if the maximum inlet temperature for reheating is exceeded.

The water heater is intended for domestic use. It can be used safely by untrained persons. The water heater can also be used in non-domestic environments, e.g. in small businesses, as long as it is used in the same way.

Any other use beyond that described shall be deemed inappropriate. Observation of these instructions and of the instructions for any accessories used is also part of the correct use of this water heater.

2.2 General safety instructions



DANGER Burns


Water temperatures over 125 °F (52 °C) can cause severe burns instantly or death from scalding. A hot water scalding potential exists if the thermostat on the water heater is set too high. Households with small children, disabled or elderly persons may require that the thermostat be set at 113 °F (45 °C) or lower to prevent possible injury from hot water.





CAUTION Burns


If operating with preheated water, e.g. from a solar thermal system, the DHW temperature may vary from the selected set temperature.


Water heater description


 **CAUTION Burns**
 During operation, the tap can reach temperatures up to 158 °F (70 °C). There is a risk of scalding at outlet temperatures in excess of 158 °F (43 °C).


 **DANGER Injury**
 Please read and follow these instructions. Failure to follow these instructions could result in serious personal injury or death.


 **CAUTION: DO NOT INSTALL IN A BATH ENCLOSURE OR SHOWER STALL OR CONNECT TO A SALT-REGENERATED WATER SOFTENER OR A WATER SUPPLY OF SALT WATER**
FOR USE ON AN INDIVIDUAL BRANCH CIRCUIT ONLY
CAUTION: CONNECT ONLY TO A CIRCUIT PROTECTED BY A CLASS A GROUND FAULT CIRCUIT INTERRUPTER
USE COPPER CONDUCTORS ONLY
USE BONDING CONDUCTOR IN ACCORDANCE WITH THE CANADIAN ELECTRICAL CODE, PART I


 **DANGER Electrocution**
 Before proceeding with any installation, adjustment, alteration, or service of this water heater, all circuit breakers and disconnect switches servicing the water heater must be turned off. Failure to do so could result in serious personal injury or death.

 **WARNING Electrocution**
 Never remove or reinstall the water heater's cover unless the electricity servicing the unit is turned off. Failure to do so could result in personal injury or death.


 **DAMAGE TO THE WATER HEATER AND THE ENVIRONMENT:**
 The water heater must be installed by a licensed electrician and plumber. The installation must comply with all national, state and local plumbing and electric codes. Service of the water heater must be performed by qualified service technicians.

 **DAMAGE TO THE WATER HEATER AND THE ENVIRONMENT:**
 Supply this appliance only from a grounded system. A green terminal (or a wire connector marked "G", "GR", "GROUND", OR "GROUNDING") is provided for wiring the appliance. To reduce the risk of electric shock, connect this terminal or connector to the grounding terminal of the electric service or supply panel with a continuous copper wire in accordance with the electrical installation code.

 **Note**
 When mounting the water heater to the wall, the supplied countersunk screws must be used in order to maintain the IP 24 rating. See section 9.1.4, "Mounting the water heater", pg. 11.

 **WARNING Injury**
 The water heater may be used by children aged 3 and older and persons with reduced physical, sensory or mental capabilities or a lack of experience and know-how, provided that they are supervised or they have been instructed on how to use the water heater safely and have understood the potential risks. Children must never play with the water heater. Children must never clean the water heater or perform user maintenance unless they are supervised.

Where children or persons with limited physical, sensory or mental abilities are allowed to use this water heater, we recommend asking the qualified contractor to set a permanent "Internal anti-scalding protection" temperature limit.

 **Material losses**
 The user should protect the water heater against frost.

2.3 Test symbols

See type plate on the water heater.

2.4 Licenses / certificates

- UL (USA) Std. 499
- CSA (Canada) Std. C22.2 No. 64

3. Water heater description

The water heater switches on automatically as soon as you open the hot water valve at the tap. When you close the tap, the water heater switches off automatically. The unit heats water as it flows through.

From the activation flow rate, the control unit regulates the correct heating output, subject to the temperature selected and the current cold water temperature. The DHW outlet temperature can be variably adjusted.

The electronically controlled tankless water heater maintains a consistent outlet temperature. This is irrespective of the inlet temperature, up to the maximum output of the water heater.

If the water heater is operated with preheated water and the inlet temperature exceeds the chosen set temperature, the water is not heated further.

DHW temperature

The DHW outlet temperature can be variably adjusted, with a range from 68–140 °F (20–60 °C).

Heating system

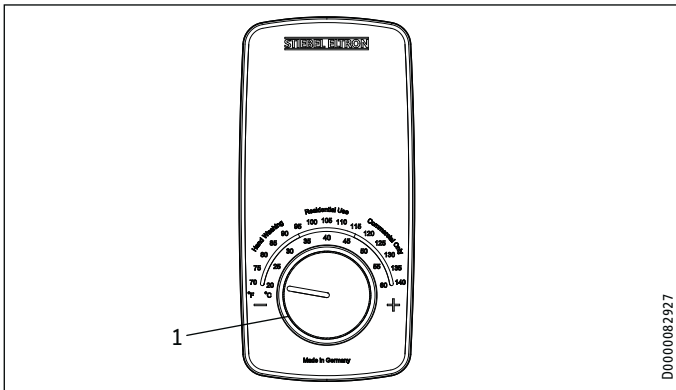
The Direct Coil™ heating system is comprised of a pressure-tested, glass-reinforced polyamide heating chamber with a nichrome wire direct heating coil. It is suitable for hard and soft water areas and is largely insusceptible to scale build-up. The Direct Coil™ heating system ensures rapid, accurate, and efficient DHW production.



Note

The water heater is equipped with an air detector that largely prevents damage to the heating system. If, during operation, air is drawn into the water heater, the water heater shuts down the heating output for one minute to protect the heating system.

3.1 Setting the temperature



1 Temperature selector

3.2 Recommended settings

Your electric tankless water heater offers maximum convenience and accuracy when providing DHW. Should you need to operate the water heater with a thermostatic valve, we recommend that you:

- ▶ Adjust the set temperature on the water heater to over 122 °F (50 °C). Then set the required set temperature on the thermostatic valve.

Saving energy

The following recommended settings will result in the lowest energy consumption:

- 100 °F (38 °C) for hand washbasins, showers, baths
- 131 °F (55 °C) for kitchen sinks

Internal anti-scalding protection (qualified contractors)

If required, the qualified contractor can set a permanent temperature limit, for example in nurseries, hospitals, etc.

When supplying a shower, the water heater temperature setting range must be adjusted by the qualified contractor to 131 °F (55 °C) or less.

For full information, see section 10.1, “Internal anti-scalding protection via jumper slot”, pg. 12.

Recommended setting for operation with a thermostatic valve and water preheated by solar energy

- ▶ Set the temperature at the water heater to the maximum temperature.

Following an interruption to the water supply



Material losses

To ensure that the Direct Coil™ heating system is not damaged following an interruption to the water supply, the water heater must be restarted by taking the following steps.

- ▶ Shut off power to the unit at the breaker panel by making sure that connected circuit breakers are “OFF” to avoid any danger of electric shock.
- ▶ Open and close the tap at least five times for three minutes total, until the water heater and its upstream cold water inlet line are free of air.
- ▶ Switch the power back ON at the breaker.

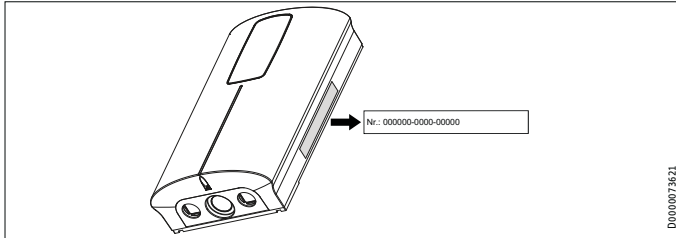
4. Cleaning, care and maintenance

- ▶ Never use abrasive or corrosive cleaning agents. A damp cloth is sufficient for cleaning the water heater.
- ▶ Check the taps regularly. Limescale deposits at the tap outlets can be removed using commercially available descaling agents.

5. Troubleshooting

Problem	Cause	Solution
The water heater will not start despite the DHW valve being fully open	There is no power	Check to ensure circuit breaker in breaker panel hasn't tripped. Reset if necessary
	The aerator in the tap or the shower head is scaled up or dirty	The white AE3 safety switch has not been engaged during initial start-up. Activate if necessary (See section 10.3.1, “Initial AE3 safety switch activation”, pg. 13). If the AE3 switch has tripped after initial installation, contact a qualified contractor to fix the cause
	The water supply has been interrupted	Clean and/or descale the aerator or shower head
When hot water is being drawn off, cold water flows for a short period	The air detector detects air in the water. It switches off the heating output briefly	Vent the water heater and the cold water inlet line
Boiling noises are heard during operation	The water heater has not been vented	The water heater restarts automatically after 1 minute
	The supply pressure is too low	Vent the water heater (see section 10.3, “Initial start-up”, pg. 12)
		Ensure that the minimum supply pressure of 26.1 psi is met, and that max pressure doesn't exceed 145 psi (see section 16.7, “Data table”, pg. 20)
The required temperature cannot be set	Internal anti-scalding protection is activated	The internal anti-scalding protection can only be adjusted by qualified contractors

If you cannot remedy the fault, contact your qualified contractor. To facilitate and speed up your inquiry, please provide the serial number from the type plate (000000-0000-000000).



INSTALLATION

6. Safety

Only a qualified contractor should carry out installation, commissioning, maintenance and repair of the water heater.

6.1 General safety instructions

We guarantee trouble-free function and operational reliability only if original accessories and spare parts intended for the water heater are used.



Material losses

Observe the maximum inlet temperature. Higher temperatures may damage the water heater. You can limit the maximum inlet temperature by installing a central thermostatic valve.



WARNING Electrocutation

This water heater contains capacitors which are discharged when disconnected from the power supply. The capacitor discharge voltage may briefly exceed 60 V DC.

6.2 Instructions, standards and regulations



Note

Observe all applicable national and regional regulations and instructions.

- The IP 24 (splash-proof) protection rating can only be ensured with a correctly fitted cable grommet, and by using the supplied countersunk screws with a diameter of 4.5 mm, max. diameter of the screw-head 9 mm.
- The electrical resistivity of the water must not fall below that stated on the type plate. In a linked water network, factor in the lowest electrical resistivity of the water. Your water supply utility will advise you of the electrical resistivity or conductivity of the water in your area.

7. Water heater description

7.1 Standard delivery

The following are delivered with the water heater:

- Cable grommet

- Filter screen, factory installed in cold water inlet
- Jumper for anti-scalding protection, attached
- Jumper for power output selection, attached
- Jumper, spare
- Plug for electrical connection, non-concealed installation, bottom center
- 4 x countersunk screws
- 4 x wall anchors

7.2 Accessories

Installation kit for concealed water connections

The following accessories are required for concealed water connection installations (not supplied, available as a kit, part number 200017 – IW-Kit LA):

- 2 x plugs to seal the apertures in the water heater back panel
- 2 x 45° twin connectors
- Filter screen with sealed edge for installation on the 45° twin connector
- Flat gasket

8. Preparation

8.1 Installation site



Material losses

Install the water heater in a room that is free from the risk of frost.

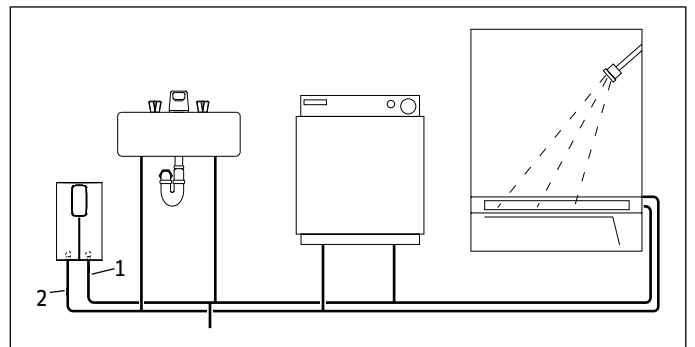
- ▶ Always install the water heater vertically with plumbing fittings pointing downward.

The water heater is suitable for supplying multiple fixtures, with installation location either below or above connected fixtures. The water heater should be positioned as close as possible to major draw points in order to minimize pipe runs.

Taps

Do not use open vented or non-pressurized taps.

Typical residential installation



- 1 Cold water inlet
- 2 DHW outlet

OPERATION

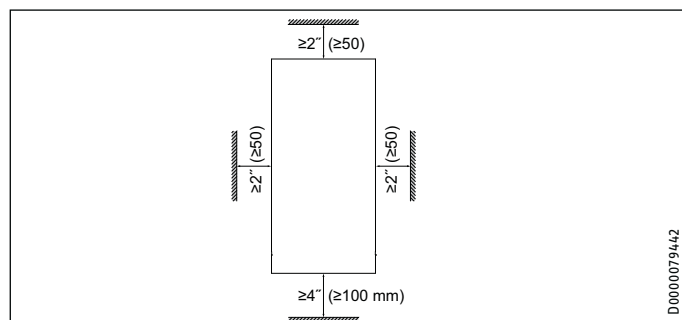
Installation



Note

- ▶ Install the water heater flush to the wall. The wall must have sufficient load bearing capacity.

8.2 Minimum clearances



- ▶ Maintain the minimum clearances to ensure trouble-free operation of the water heater and facilitate maintenance work.

8.3 Water connections



CAUTION: DO NOT INSTALL IN A BATH ENCLOSURE OR SHOWER STALL OR CONNECT TO A SALT-REGENERATED WATER SOFTENER OR A WATER SUPPLY OF SALT WATER

FOR USE ON AN INDIVIDUAL BRANCH CIRCUIT ONLY

CAUTION: CONNECT ONLY TO A CIRCUIT PROTECTED BY A CLASS A GROUND FAULT CIRCUIT INTERRUPTER

USE COPPER CONDUCTORS ONLY

USE BONDING CONDUCTOR IN ACCORDANCE WITH THE CANADIAN ELECTRICAL CODE, PART I



Material losses

Carry out all water connection and installation work in accordance with regulations.



Material losses

Excessive heat from soldering on copper pipes near the DCE may cause damage to the unit or the plastic filter screen located in the cold water inlet.



NOTICE

The cold water connection to the unit **MUST** be disconnected periodically in order to clean the filter screen. It is required to use water connections that are easily detachable such as braided steel flex connectors.



NOTICE

Hard water or water with a high mineral count may damage the unit. Damage to the unit caused by scale or a high mineral count is not covered under the warranty.



NOTICE

Tankless water heaters such as the DCE are not required to be equipped with a temperature and pressure relief valve (T&P). If the local inspector will not pass the installation without a T&P, it should be installed on the hot water outlet side of the unit.

- ▶ Make certain that the cold water supply line has been flushed to remove any scale and dirt.
- ▶ The DCE unit has a built in filter screen located in the cold water inlet that should be cleaned from time to time. Clean screen and put the screen back into its original position. See section 15.2, "Cleaning the filter screen", pg. 17.
- ▶ The cold water connection (inlet) is on the right side of the unit, and the hot water connection (outlet) is on the left side of the unit.

8.4 Permissible water connection materials

- ▶ The DCE's hot water outlet (left) is designed for connection to copper tubing, PEX tubing, or a braided stainless steel hose with a 1/2" NPT female tapered thread.
- ▶ The plumbing on the cold water inlet side (right) needs to be such that it can easily be removed to allow access to the inlet filter screen. The easiest way to achieve this is to use a braided steel flex connector with a 1/2" female NPT connection.
- ▶ If soldering near the unit is necessary, please direct the flame away from the housing of the unit in order to avoid damage.
- ▶ When all plumbing work is completed, check for leaks and damage to the plastic filter screen. Take corrective action before proceeding.



Material losses

If plastic pipework systems are used, take into account the maximum inlet temperature and the maximum permissible pressure.

8.4.1 Flow rate

- ▶ Ensure that the minimum activation flow rate for switching on the water heater is met: 0.264 gal (1.0 l/min).
- ▶ If the required minimum activation flow rate is not met when the draw-off valve is fully opened, increase the water line pressure.
- ▶ The minimum incoming cold water supply line pressure must be at least 26.1 psi (1.8 bar) or higher.

9. Installation

Factory settings	DCE 10 Plus	DCE 13 Plus	DCE 15 Plus
Internal anti-scalding protection in °F (°C)	140 (60)	140 (60)	140 (60)
Connected load in kW	@ 208 V	7.2	11.8
	@ 220 V	8.0	13.2
	@ 240 V	9.6	14.4
Standard installation	DCE 10 Plus	DCE 13 Plus	DCE 15 Plus

OPERATION

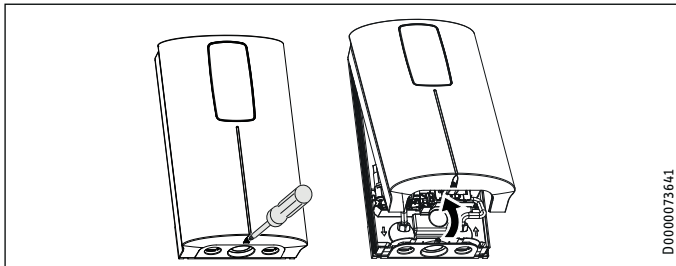
Installation

Electrical connection from below, non-concealed installation	x	x	x
Water connection, non-concealed installation	x	x	x

For further installation options, including concealed in-wall electrical and water connection options, see section 12, "Alternative installation methods", pg. 14.

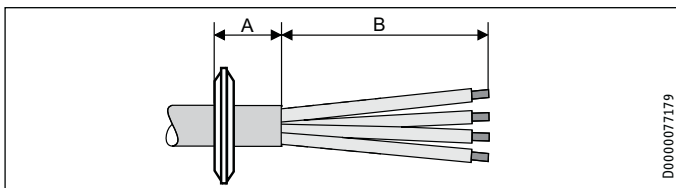
9.1 Standard non-concealed installation

9.1.1 Removing the cover



- ▶ Open the water heater by undoing the screw and lifting the cover up from the bottom.

9.1.2 Preparing the power cable



- ▶ Prepare the power cable.

Position for non-concealed installation	Dimension A	Dimension B
Bottom, center	1½" (30 mm)	4¾" (120 mm)
Bottom, left side of water heater	½" (20 mm)	3½" (90 mm)
Bottom, right side of water heater	½" (20 mm)	3½" (90 mm)
Top, right side of water heater	½" (20 mm)	3⅛" (80 mm)

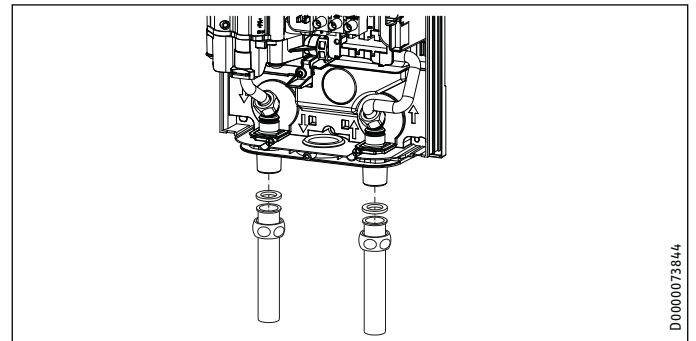
Position for concealed installation	Dimension A	Dimension B
Bottom	½" (20 mm)	3½" (90 mm)
Top	½" (20 mm)	3⅛" (80 mm)

9.1.3 Preparation

- ▶ Cut a hole in the cable grommet to fit the selected connecting cable. Fit the cable grommet.

9.1.4 Mounting the water heater

- ▶ Mark the 4 drill holes, referencing their position on the water heater rear cover.
- ▶ Drill the holes and secure the water heater using the supplied wall anchors and countersunk screws, Ø 4.5 mm, max. diameter of screw-head 9 mm.



- ▶ Connect braided steel flex connectors (recommended, not supplied) or other pipework to the twin ½" NPT male connectors.
- ▶ Open the shut-off valve in the cold water inlet line.

9.2 Electrical connection



WARNING Electrocutation

Before beginning any work on the electric installation, be sure that main breaker panel switches are "Off" to avoid any danger of electric shock. All mounting and plumbing must be completed before proceeding with electrical hook-up. Where required by local, state or national electrical codes the circuits should be equipped with a "ground fault interrupter". The unit must be properly grounded in accordance with state and local codes, or in absence of such codes, in accordance with national electric code or the Canadian electric code. Failure to electrically ground the product could result in serious personal injury or death.



WARNING Electrocutation

The connection to the power supply is only permissible as a permanent connection in conjunction with the removable cable grommet. Ensure the water heater can be separated from the power supply by an isolator that disconnects all poles with at least 1/8" (3 mm) contact separation.



CAUTION: DO NOT INSTALL IN A BATH ENCLOSURE OR SHOWER STALL OR CONNECT TO A SALT-REGENERATED WATER SOFTENER OR A WATER SUPPLY OF SALT WATER

FOR USE ON AN INDIVIDUAL BRANCH CIRCUIT ONLY

CAUTION: CONNECT ONLY TO A CIRCUIT PROTECTED BY A CLASS A GROUND FAULT CIRCUIT INTERRUPTER
USE COPPER CONDUCTORS ONLY

USE BONDING CONDUCTOR IN ACCORDANCE WITH THE CANADIAN ELECTRICAL CODE, PART I

Commissioning

! Supply this appliance only from a grounded system. A green terminal (or a wire connector marked “G”, “GR”, “GROUND”, OR “GROUNDING”) is provided for wiring the appliance. To reduce the risk of electric shock, connect this terminal or connector to the grounding terminal of the electric service or supply panel with a continuous copper wire in accordance with the electrical installation code.

! **Material losses**
Observe the type plate. The specified rated voltage must match the supply line voltage.

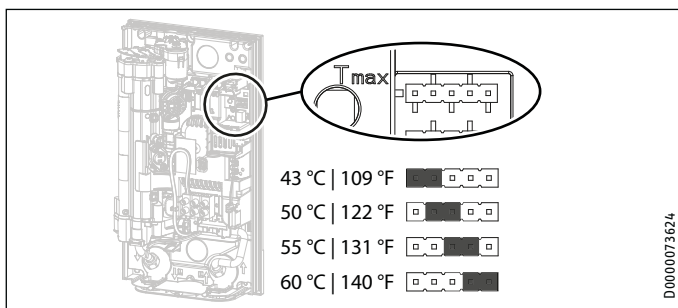
! **Material losses**
The DCE 13 Plus must only be connected to a 208 V or 220 V electrical supply. Connecting the DCE 13 Plus to a 240 V electrical supply will permanently damage the unit and void the factory warranty.

- ▶ Push the power cable through the cable grommet.
- ▶ Connect the power cable to the wiring block (See section 16.2, “Wiring diagram”, pg. 18).

10. Commissioning

10.1 Internal anti-scalding protection via jumper slot

For increased safety, the qualified contractor can set an internal anti-scalding temperature limit via the “Tmax” jumper. The anti-scalding protection feature limits the maximum output temperature of the water heater. This feature overrides the temperature selector knob on the front cover. A user can still make temperature adjustments below the anti-scalding limit using the temperature selector knob, however, any temperature selected that is higher than the Tmax limit will be ignored, and the output temperature will be limited to the set Tmax value.



Jumper position	Description
43 °C 109 °F	For example in nurseries, hospitals, etc.
50 °C 122 °F	Typical DHW
55 °C 131 °F	Max. for shower operation
60 °C 140 °F	Factory setting (full temperature range)
No jumper	Limit 43 °C 109 °F

- ▶ Install the jumper in the required position on the “Tmax” pin strip.

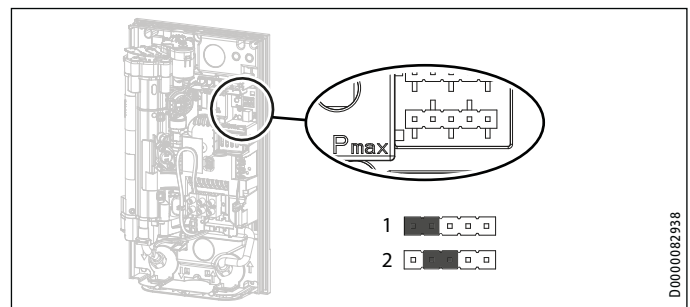


CAUTION Burns

If the water supplied to the water heater is preheated, the internal anti-scalding protection and the user-adjustable temperature limit may be exceeded. In such cases, limit the temperature with an upstream central thermostatic valve.

10.2 Changing power output via the jumper slot; only for models with selectable power output

DCE 10 and 15 Plus feature selectable power output. If you select a value other than the factory default setting, you will need to reposition the jumper. Factory default is position 2, “high.”



- ▶ Install the jumper in the required position on the “Pmax” pin strip.

Jumper position	Power output DCE 10 Plus	Power output DCE 15 Plus
1 [low]	@ 208 V 5.4 kW	9.0 kW
	@ 220 V 6.0 kW	10.0 kW
	@ 240 V 7.2 kW	12.0 kW
2 [high] factory default	@ 208 V 7.2 kW	10.8 kW
	@ 220 V 8.0 kW	12.0 kW
	@ 240 V 9.6 kW	14.4 kW
No jumper [low]	@ 208 V 5.4 kW	9.0 kW
	@ 220 V 6.0 kW	10.0 kW
	@ 240 V 7.2 kW	12.0 kW

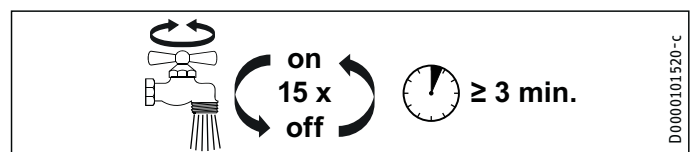
- ▶ Mark the selected power output on the type plate. Use a ball-point pen to do this.

10.3 Initial start-up



Note

During initial start-up, you **MUST** engage the AE3 safety switch by depressing the white reset button before supplying power to the water heater. The unit will **NOT** operate until the safety switch has been engaged.

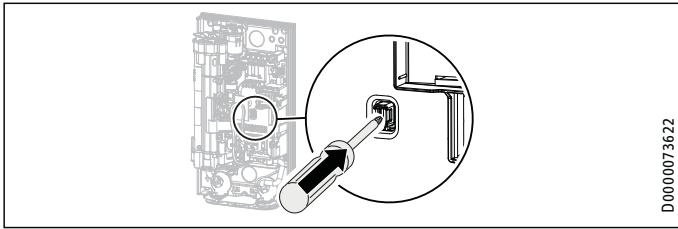


- ▶ Open and close all connected draw-off valves at least 15 times total. Let water run for at least three minutes, until all air has been purged from the pipework and the water heater.
- ▶ Ensure there are no water leaks from any plumbing connections.

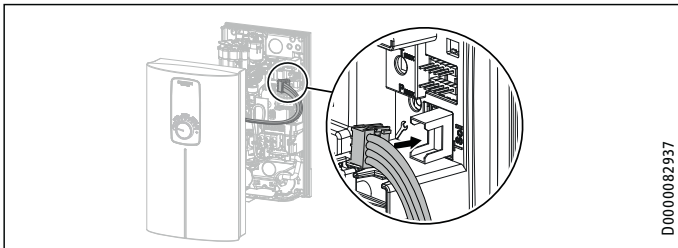
OPERATION

Water heater shutdown

10.3.1 Initial AE3 safety switch activation



- ▶ Engage the AE3 safety switch by firmly pressing the white reset button until it clicks and fully locks in place (the water heater is delivered with the safety switch disengaged).

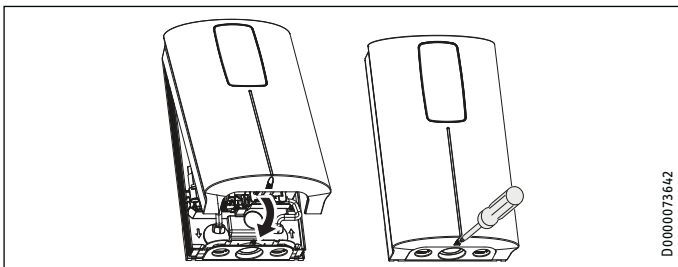


- ▶ Make sure the cable between the controls on the front cover and the main unit is plugged in on both ends in the correct plug.



Note

It is essential to plug the connecting cable from the programming unit into the PCB before switching on the power. Otherwise, the programming unit will not function.



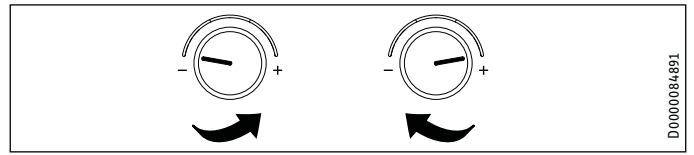
- ▶ Hook the water heater cover into the back panel at the top rear. Pivot the cover downwards. Check that the cover is securely seated at both top and bottom.
- ▶ Secure the water heater cover with the screw.
- ▶ Remove the protective film from the user interface.



on

D0000053281

- ▶ Switch on the power supply.
- ▶ Ensure that the programming unit is functioning correctly.



- ▶ Turn the temperature selector fully to its left-hand, and then right-hand end-stop.

10.3.2 Water heater handover

- ▶ Explain the water heater function to users and familiarize them with how it works.
- ▶ Make the user aware of potential dangers, especially the risk of scalding.
- ▶ Hand over the instructions.

10.4 Operation with preheated water

You can limit the maximum inlet temperature by installing a central thermostatic valve.

Use a thermostatic valve for central premixing, for example when operating an instantaneous water heater with preheated water. For use in shower operation, the valve must be set to a maximum of 131 °F (55 °C).

10.5 Recommissioning



Material losses

To ensure that the Direct Coil™ heating system is not damaged following an interruption to the water supply, the water heater must be restarted by taking the following steps.

- ▶ Shut off power to the unit at the breaker panel by making sure that connected circuit breakers are “OFF” to avoid any danger of electric shock.
- ▶ Open and close the tap at least five times for three minutes total, until the water heater and its upstream cold water inlet line are free of air.
- ▶ Switch the power back ON at the breaker panel.

11. Water heater shutdown

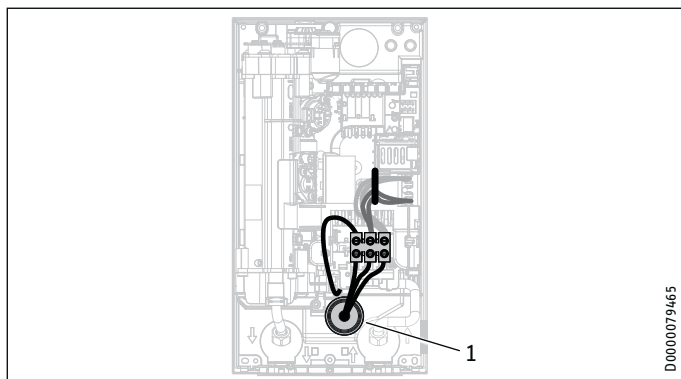
- ▶ Shut off power to the unit at the breaker panel by making sure that connected circuit breakers are “OFF” to avoid any danger of electric shock.
- ▶ Drain the water heater (see section 15.1, “Draining the water heater”, pg. 17).

12. Alternative installation methods



WARNING Electrocutation
Before performing any work on the water heater, disconnect all poles from the power supply.

12.1 Concealed installation, electrical connection from below

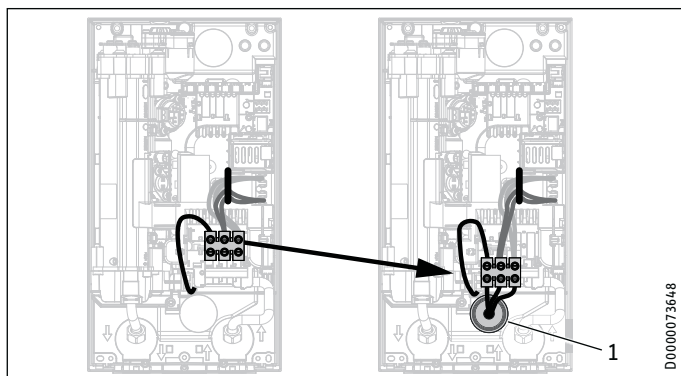


1 Cable grommet

- ▶ Break out the required aperture in the back panel for the power cable (for positions, see section 16.1, “Dimensions and connections”, pg. 18). De-burr any sharp edges with a file.
- ▶ Cut a hole in the cable grommet to fit the selected connecting cable. Fit the cable grommet.
- ▶ Install the water heater and connect the power cable to the wiring block as described in section 9.1, “Standard non-concealed installation”, pg. 11.
- ▶ Seal the factory-fitted cable grommet with the plug included in the standard delivery.

12.2 Electrical connection with short power cable

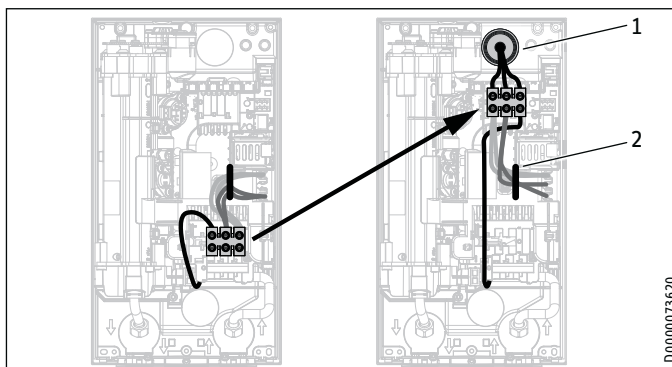
If the power cable is not quite long enough, you can install the wiring block closer to the aperture in the water heater.



1 Cable grommet

- ▶ Reposition the wiring block from the top to the bottom. To do so, unclip the wiring block by pushing it firmly to the left and pulling it forwards. Clip the wiring block in at the bottom by pushing it inwards and to the left until it clicks into place.

12.3 Concealed installation, electrical connection from above



1 Cable grommet

2 Cable routing

- ▶ Break out the required aperture in the back panel for the power cable (for positions, see section 16.1, “Dimensions and connections”, pg. 18). De-burr any sharp edges with a file.
- ▶ Cut a hole in the cable grommet to fit the selected connecting cable. Fit the cable grommet.
- ▶ Reposition the wiring block from the bottom to the top. To do so, unclip the wiring block by pushing it firmly to the left and pulling it forwards. Turn the wiring block with connecting cables 180° clockwise. Lay the internal wiring under the cable guide. Clip the wiring block in by pushing it inwards and to the left until it clicks into place.
- ▶ Install the water heater and connect the power cable to the wiring block as described in section 9.1, “Standard non-concealed installation”, pg. 11.
- ▶ Seal the factory-fitted cable grommet with the plug included in the standard delivery.

12.4 Electrical connection from the side, non-concealed installation

- ▶ Cut and break out the required aperture in the water heater back panel and water heater cover for the power cable (for positions, see section 16.1, “Dimensions and connections”, pg. 18). De-burr any sharp edges with a file.
- ▶ Install the water heater and connect the power cable to the wiring block as described in section 9.1, “Standard non-concealed installation”, pg. 11.
- ▶ Seal the factory-fitted cable grommet with the plug included in the standard delivery.

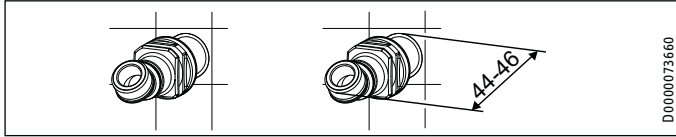
12.5 Concealed installation, water connections

You will need the appropriate accessories to carry out the installation. See section 7.2, “Accessories”, pg. 9. The installation kit for concealed water connections (not supplied, part number 200017 – IW-Kit LA) contains:

- 2 x plugs to seal the apertures in the water heater back panel
- 2 x 45° twin connectors
- Filter screen with sealed edge for installation on the 45° twin connector
- Flat gasket

Preparation

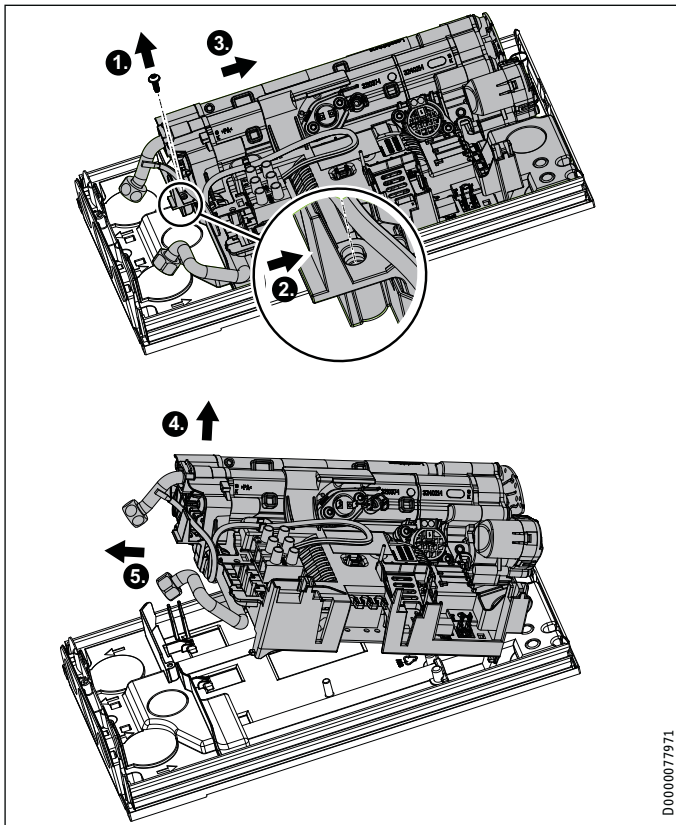
- ▶ Unscrew the twin connectors (including the filter screen) attached to the water heater from the water supply pipes and set them aside (not needed for this installation).



D0000073660

- ▶ Seal the 45° twin connectors from the concealed water connection installation kit. Screw the 45° twin connectors into the wall connector.

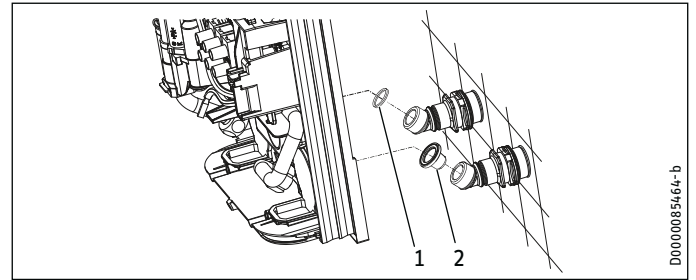
To break out the apertures in the water heater's rear cover, you will need to remove the function module from the rear cover.



D0000077971

- ▶ Undo the screw and disengage the locking tab.
- ▶ Push the function module on the back panel gently backwards.
- ▶ Remove the function module from the water heater rear cover by pulling it slightly forwards and lifting it out.
- ▶ Push/break out the required apertures in the back panel from behind (for positions, see section 16.1, "Dimensions and connections", pg. 18). De-burr any sharp edges with a file.
- ▶ Install the function module in reverse order onto the water heater back panel until it clicks into place.
- ▶ Secure the heater with the screw.

Mounting the water heater

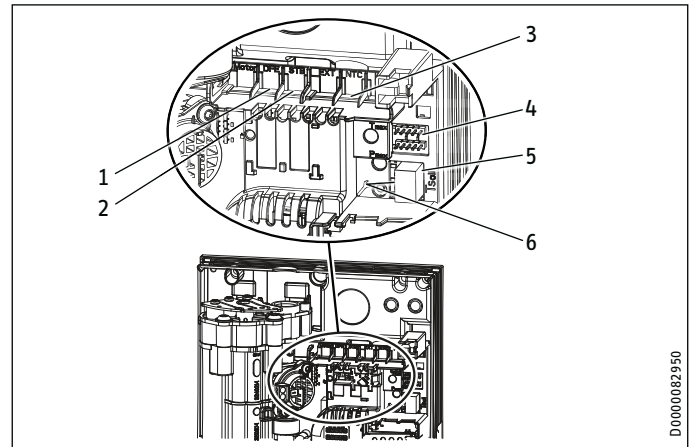


D000085464-b

- 1 Flat gasket
 - 2 Filter screen with sealed edge
- ▶ Mark the 4 drill holes, referencing the positioning on the water heater rear cover.
 - ▶ Drill the holes and secure the water heater using the supplied wall anchors and countersunk screws, Ø 4.5 mm, max. diameter of screw-head 9 mm.
 - ▶ Secure the DHW connection pipe with a flat gasket and the cold water inlet line with the sealed-edge filter screen (from the accessories) to the twin connectors.
 - ▶ Seal the openings on the factory-installed water connections using the plugs from the accessories.

13. Service information

Connection overview/component overview



D0000082950

- 1 Flow meter
- 2 High limit safety cut-out, automatic reset
- 3 NTC sensor
- 4 Pin strips for connected load and anti-scalding protection
- 5 Programming unit plug-in position
- 6 Diagnostic lights

14. Troubleshooting



WARNING Electrocution

Never remove or reinstall the water heater’s cover unless the electricity servicing the unit is turned off. Failure to do so could result in personal injury or death.



WARNING Electrocution

To test the water heater using the internal diagnostic lights, it must be connected to the power supply. When testing with the cover off, never touch any part of the water heater. Doing so could result in serious personal injury or death.



Note

When testing the water heater using the diagnostic lights, water must be flowing through the unit.

Diagnostic lights

●○○	Red	Lights up in the event of a fault
○○●	Yellow	Lights up in heating mode/ flashes when output limit reached
○○●	Green	Flashing: Water heater connected to power supply

Diagnostic lights	Problem	Cause	Solution
No LED is lit	The water heater does not heat up	There is no power	Check to ensure the connected circuit breaker in the main breaker panel hasn't tripped. Reset if necessary
Green flashing, yellow off, red off	No DHW	The PCB is faulty	Replace the PCB
		The shower head/aerator is scaled up	Descale or replace the shower head/aerator if necessary
		The filter screen in the cold water inlet is dirty	Clean the filter screen. See section 15.2, "Cleaning the filter screen", pg. 17
		The flow meter is not plugged in	Connect the cable to the PCB
		The flow meter is faulty	Replace the flow meter
Green flashing, yellow on, red off	The outlet temperature does not match the set value	The PCB is faulty	Replace the PCB
		The programming unit was not plugged in before power was switched on	Perform a reset by switching off the power to the water heater
		The outlet sensor is faulty	Replace the outlet sensor
		The tap is faulty	Replace the tap
		The heating system is faulty	Replace the heating system
Green flashing, yellow off, red on	No DHW	The PCB is faulty	Replace the PCB
		Air detected	Continue draw-off for >1 minute
		AE3 safety switch not activated during commissioning	Activate AE3 safety switch by pressing the reset button firmly. See section 10.3.1, "Initial AE3 safety switch activation", pg. 13
		AE3 safety switch triggered by high limit safety cut-out	Check high limit safety cut-out (plug-in connection, connecting cable); activate AE3 safety switch
		AE3 safety switch responds again after high limit safety cut-out has been checked; high limit safety cut-out faulty	Replace high limit safety cut-out; activate AE3 safety switch and draw off water at the maximum set value for >1 min
		Safety switch responds again; PCB faulty	Replace the PCB
		PCB faulty (lead break or short circuit in inlet sensor)	Replace the PCB
Short circuit in outlet sensor	Check the outlet sensor, replace if necessary		

15. Maintenance



WARNING Electrocutation
Before performing any work on the water heater, disconnect all poles from the power supply.

15.1 Draining the water heater

The water heater can be drained for maintenance work.



WARNING Burns
Hot water may escape when you drain the water heater.

- ▶ Close the shut-off valve in the cold water inlet line.
- ▶ Open all draw-off valves.
- ▶ Undo the water connections on the water heater.
- ▶ Store the dismantled water heater free from the risk of frost, as water residues remaining inside the water heater can freeze and cause damage.

15.2 Cleaning the filter screen



WARNING Burns
Hot water may escape when you drain the water heater.



Material losses

To ensure that the Direct Coil™ heating system is not damaged following an interruption to the water supply, the water heater must be restarted by taking the following steps.

- ▶ Shut off power to the unit at the breaker panel by making sure that connected circuit breakers are “OFF” to avoid any danger of electric shock.
- ▶ Open and close the tap at least five times for three minutes total, until the water heater and its upstream cold water inlet line are free of air.
- ▶ Switch the power back ON at the breaker panel.

The DCE has a built in sediment filter screen that should be cleaned periodically.

15.2.1 Cleaning the filter screen, standard non-concealed installation

- ▶ Turn off power to the water heater at the circuit breaker.
- ▶ Turn off the water supply to the water heater at the shut-off valve.
- ▶ Open a connected hot water tap to relieve built-up pressure (this will minimize leakage when removing the connection from the cold water inlet).
- ▶ Disconnect the braided steel flex connector from the cold water inlet fitting (right).
- ▶ To remove the filter screen from the bottom of the cold water inlet, carefully insert a flathead screwdriver just above the plastic lip of the filter screen, and gently pull downward.
- ▶ Clean the filter screen, re-insert securely into the cold water inlet fitting, and reconnect the braid steel flex connector to the cold water inlet.
- ▶ Open the cold water supply shut-off valve.

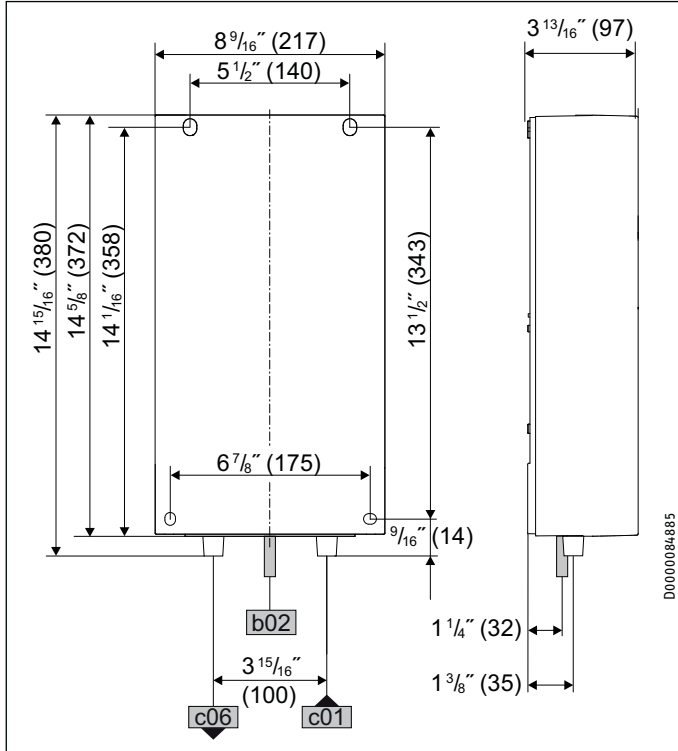
- ▶ Vent the air from pipes and the water heater by opening the hot water faucet for a few minutes, until water flow is continuous and all air is purged from the water pipes.
- ▶ Turn on circuit breaker to bring electrical power to the unit.

15.2.2 Cleaning the filter screen, concealed installation

- ▶ Turn off power to the water heater at the circuit breaker.
- ▶ Turn off the water supply to the water heater at the shut-off valve.
- ▶ Open a connected hot water tap to relieve built-up pressure (this will minimize leakage when removing the connection from the cold water inlet).
- ▶ Open the water heater by loosening the screw and lifting the cover up from the bottom.
- ▶ Unscrew the G3/8"-union-nut from the cold water pipe elbow.
- ▶ Clean the filter screen, located between inlet-line and twin connector. (compare to picture in chapter concealed installation, water connections)
- ▶ Secure the cold water inlet line with the sealed-edge filter screen.
- ▶ Open the cold water supply shut-off valve.
- ▶ Vent the air from pipes and the water heater by opening the hot water faucet for a few minutes, until water flow is continuous and all air is purged from the water pipes.
- ▶ Ensure there are no water leaks.
- ▶ Hook the cover into the water heater rear cover at the top rear. Pivot the cover downwards. Check that the cover is securely seated at both top and bottom. Secure the cover with the screw.
- ▶ Turn on circuit breaker to bring electrical power to the unit.

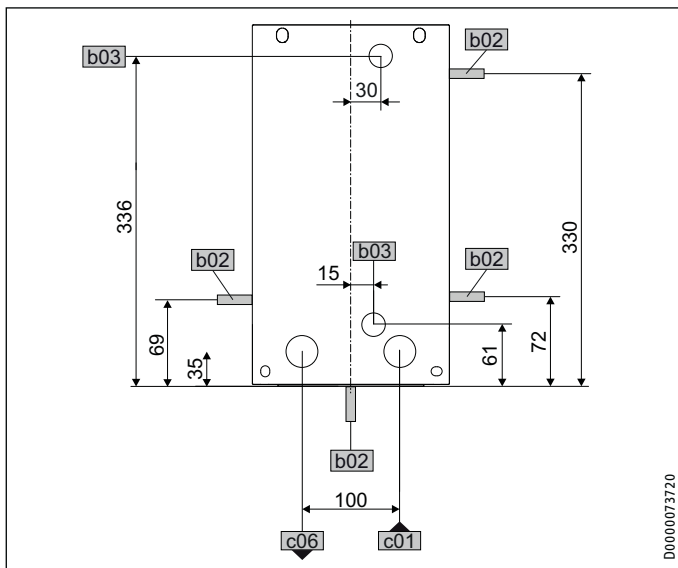
16. Specification

16.1 Dimensions and connections



		DCE Plus
b02	Entry electrical cables I	Non-concealed
c01	Cold water inlet	Male thread 1/2" NPT
c06	DHW outlet	Male thread 1/2" NPT

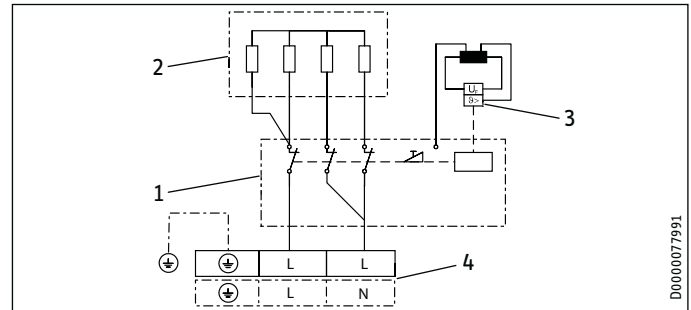
Alternative connection options



		DCE Plus
b02	Entry electrical cables I	Non-concealed
b03	Entry electrical cables II	Concealed
c01	Cold water inlet	Male thread 1/2" NPT
c06	DHW outlet	Male thread 1/2" NPT

16.2 Wiring diagram

DCE Plus	
Ⓛ Ⓛ	2/GND ~ 208 / 220 / 240 V
Ⓛ N	1/N/GND ~ 208 / 220 / 240 V



- 1 Power PCB with integral safety switch
- 2 Direct Coil™ heating system
- 3 High limit safety cut-out
- 4 Wiring block

OPERATION

Specification

16.3 DHW output

The DHW output is subject to the connected power supply, the water heater's selected power output, and the cold water inlet temperature. The rated voltage and rated output can be found on the type plate.

Power output in kW			100 °F DHW output in gpm			
Rated voltage			Cold water inlet temperature			
208 V	220 V	240 V	41 °F	50 °F	59 °F	68 °F
5.4			0.61	0.74	0.90	1.14
7.2			0.82	0.98	1.19	1.51
	6.0		0.69	0.82	0.98	1.27
	8.0		0.92	1.08	1.32	1.66
		7.2	0.82	0.98	1.19	1.51
		9.6	1.11	1.29	1.59	2.01
			1.35	1.59	1.93	2.48
11.8			1.51	1.77	2.17	2.77
	13.2		1.03	1.22	1.48	1.88
9.0			1.22	1.45	1.74	2.25
10.8			1.14	1.35	1.64	2.09
	10.0		1.37	1.61	1.98	2.51
	12.0		1.37	1.61	1.98	2.51
		12.0	1.64	1.93	2.35	3.01
		14.4	1.64	1.93	2.35	3.01

Power output in kW			122 °F DHW output in gpm			
Rated voltage			Cold water inlet temperature			
208 V	220 V	240 V	41 °F	50 °F	59 °F	68 °F
5.4			0.45	0.50	0.58	0.69
7.2			0.61	0.69	0.77	0.90
	6.0		0.50	0.55	0.63	0.77
	8.0		0.66	0.77	0.87	1.00
		7.2	0.61	0.69	0.77	0.90
		9.6	0.79	0.90	1.03	1.22
			0.98	1.11	1.27	1.48
11.8			1.11	1.24	1.43	1.66
	13.2		0.77	0.85	0.98	1.14
9.0			0.90	1.00	1.16	1.35
10.8			0.85	0.95	1.08	1.27
	10.0		1.00	1.14	1.29	1.51
	12.0		1.00	1.14	1.29	1.51
		12.0	1.22	1.35	1.56	1.82
		14.4	1.22	1.35	1.56	1.82

Power output in kW			38 °C DHW output in L/min			
Rated voltage			Cold water inlet temperature			
208 V	220 V	240 V	5 °C	10 °C	15 °C	20 °C
5.4			2.3	2.8	3.4	4.3
7.2			3.1	3.7	4.5	5.7
	6.0		2.6	3.1	3.7	4.8
	8.0		3.5	4.1	5.0	6.3
		7.2	3.1	3.7	4.5	5.7
		9.6	4.2	4.9	6.0	7.6
			5.1	6.0	7.3	9.4
11.8			5.7	6.7	8.2	10.5
	13.2		3.9	4.6	5.6	7.1
9.0			4.6	5.5	6.6	8.5
10.8			4.3	5.1	6.2	7.9
	10.0		5.2	6.1	7.5	9.5
	12.0		5.2	6.1	7.5	9.5
		12.0	6.2	7.3	8.9	11.4
		14.4	6.2	7.3	8.9	11.4

Power output in kW			50 °C DHW output in L/min			
Rated voltage			Cold water inlet temperature			
208 V	220 V	240 V	5 °C	10 °C	15 °C	20 °C
5.4			1.7	1.9	2.2	2.6
7.2			2.3	2.6	2.9	3.4
	6.0		1.9	2.1	2.4	2.9
	8.0		2.5	2.9	3.3	3.8
		7.2	2.3	2.6	2.9	3.4
		9.6	3.0	3.4	3.9	4.6
			3.7	4.2	4.8	5.6
11.8			4.2	4.7	5.4	6.3
	13.2		2.9	3.2	3.7	4.3
9.0			3.4	3.8	4.4	5.1
10.8			3.2	3.6	4.1	4.8
	10.0		3.8	4.3	4.9	5.7
	12.0		3.8	4.3	4.9	5.7
		12.0	4.6	5.1	5.9	6.9
		14.4	4.6	5.1	5.9	6.9

16.4 Application areas/conversion table

Electrical resistivity and electrical conductivity.

Standard specification at 15 °C			20 °C			25 °C		
Resis- tivity $\rho \geq$	Conductivity $\sigma \leq$		Resis- tivity $\rho \geq$	Conductivity $\sigma \leq$		Resis- tivity $\rho \geq$	Conductivity $\sigma \leq$	
Ωcm	mS/m	$\mu\text{S/cm}$	Ωcm	mS/m	$\mu\text{S/cm}$	Ωcm	mS/m	$\mu\text{S/cm}$
1100	91	910	970	103	1031	895	112	1117

16.5 Pressure drop

Sizing the pipework

When calculating the size of the pipework, a water heater pressure drop of 14.5 psi (0.1 MPa) is recommended.

16.6 Fault conditions

In the event of a fault, temperatures up to 176 °F (80 °C) at a pressure of 145 psi (1.0 MPa) can occur briefly in the installation.

OPERATION

Specification

16.7 Data table

		DCE 10 Plus			DCE 13 Plus		DCE 15 Plus		
		238150			238151		238152		
Electrical data									
Rated voltage	V	208	220	240	208	220	208	220	240
Rated output ¹	kW	5.4/7.2	6.0/8.0	7.2/9.6	11.8	13.2	9.0/10.8	10.0/12.0	12.0/14.4
Rated current	A	26.0/34.6	27.3/36.4	30.0/40.0	56.7	60.0	43.3/52.0	45.5/54.5	50.0/60.0
Recommended circuit breaker size ²	A	30/35	30/40	30/40	60	60	50/60		
Min. recommended wire size ³ (AWG copper)		8			6		6		
Frequency	Hz	50/60			50/60		50/60		
Phase		1/N/GND 2/GND			1/N/GND 2/GND		1/N/GND 2/GND		
Resistivity $\rho_{15} \geq$	Ω cm	1100			1100		1100		
Conductivity $\sigma_{15} \leq$	μ S/cm	910			910		910		
Max. mains impedance at 50 Hz	Ω	0.0407	0.0385	0.0353	0.0248	0.0234	0.0272	0.0257	0.0235
Connections									
Water connection		1/2" NPT			1/2" NPT		1/2" NPT		
Application limits									
Max. permissible pressure	psi (MPa)	145 (1)			145 (1)		145 (1)		
Min. permissible pressure	psi (MPa)	26.1 (0.18)			26.1 (0.18)		26.1 (0.18)		
Max. inlet temperature for reheating	°F (°C)	131 (55)			131 (55)		131 (55)		
Temperature setting range	°F (°C)	68–140 (20–60)			68–140 (20–60)		68–140 (20–60)		
Values									
Max. inlet temperature (e.g. pasteurization)	°F (°C)	158 (70)			158 (70)		158 (70)		
Activation rate	gpm (l/min)	0.264 (1.0)			0.264 (1.0)		0.264 (1.0)		
Hydraulic data									
Nominal capacity	gal (l)	0.07 (0.277)			0.07 (0.277)		0.07 (0.277)		
Versions									
Adjustable connected load		Yes			No		Yes		
Protection class		1			1		1		
Insulating block		Plastic			Plastic		Plastic		
Heating system		Direct Coil™			Direct Coil™		Direct Coil™		
Cover and back panel		Plastic			Plastic		Plastic		
Color		White			White		White		
IP rating		IP 24			IP 24		IP 24		
Dimensions									
Height	in (mm)	14 5/8" (372)			14 5/8" (372)		14 5/8" (372)		
Width	in (mm)	8 9/16" (217)			8 9/16" (217)		8 9/16" (217)		
Depth	in (mm)	4 5/16" (109)			4 5/16" (109)		4 5/16" (109)		
Weights									
Weight	lb (kg)	5.5 (2.50)			5.5 (2.50)		5.5 (2.50)		

¹ For units with adjustable power output, factory default setting is jumper position 2 [high]

² Overcurrent protection sized at 100% of load. Tankless water heaters are considered a non-continuous load. Use only GFCI Class A circuit breakers.

³ Copper conductors with a temperature rating of 75 °C or greater must be used. Conductors should be sized to maintain a voltage drop of less than 3% under load.

These are our recommendations. Check local codes for compliance if necessary.



Note

The water heater conforms to IEC 61000-3-12.

17. Warranty

RESIDENTIAL & COMMERCIAL WARRANTY: Stiebel Eltron warrants to the original owner that the instantaneous water heater will be free from defects in workmanship and materials for a period of three (3) years from the date of purchase.

Should the part(s) prove to be defective under normal use during this period, Stiebel Eltron, Inc. will be responsible for replacement of the defective part(s) only. Stiebel Eltron, Inc. is not responsible for labor charges to remove and/or replace the defective part(s), or any incidental or consequential expenses. Stiebel Eltron is not responsible for damage to the instantaneous water heater caused by water quality issues such as corrosive water, hard water, and water contaminated with pollutants or additives.

Should the owner wish to return the instantaneous water heater for repair, the owner must first secure written authorization from Stiebel Eltron, Inc. The owner shall be required to show proof of purchase date, and to pay all transportation costs to return the defective part(s) or instantaneous water heater for repair or replacement. Warranty is void if water heater has been installed or used improperly or if design has been altered in any way.

Warranties may vary by country. Please consult your local Stiebel Eltron representative for the warranty for your country.

STIEBEL ELTRON, INC.
17 West Street
West Hatfield, MA 01088, USA
PHONE: 800-582-8423 or 413-247-3380
FAX: 413-247-3369
E-Mail info@stiebel-eltron-usa.com
www.stiebel-eltron-usa.com



The installation, electrical connection and first operation of this appliance should be carried out by a qualified installer.



The company does not accept liability for failure of any goods supplied which have not been installed and operated in accordance with the manufacturer's instructions.

Environment and recycling

Please help us to protect the environment by disposing of the packaging in accordance with the national regulations for waste processing.

TABLA DE CONTENIDO

A. GUÍA RÁPIDA DE INICIO

INFORMACIÓN ESPECIAL

FUNCIONAMIENTO

1. Información general	26
1.1 Instrucciones de seguridad	26
1.2 Otros símbolos que aparecen en esta documentación	26
1.3 Unidades de medida	26
2. Seguridad	26
2.1 Uso correcto	26
2.2 Instrucciones generales de seguridad	26
2.3 Símbolos de prueba	27
2.4 Licencias/certificados	27
3. Descripción del calentador de agua	27
3.1 Ajuste de la temperatura	28
3.2 Configuraciones recomendadas	28
4. Limpieza, cuidado y mantenimiento	28
5. Resolución de problemas	28

INSTALACIÓN

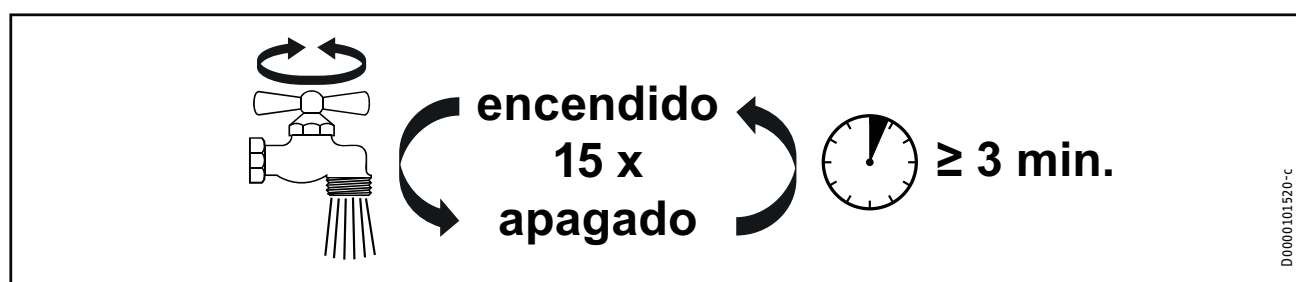
6. Seguridad	29
6.1 Instrucciones generales de seguridad	29
6.2 Instrucciones, normas y regulaciones	29
7. Descripción del calentador de agua	29
7.1 Entrega común	29
7.2 Accesorios	29
8. Preparativos	29
8.1 Lugar de instalación	29
8.2 Espacios libres mínimos	30
8.3 Conexiones de agua	30
8.4 Materiales de conexión de agua permitidos	30
9. Instalación	31
9.1 Instalación estándar no oculta	31
9.2 Conexión eléctrica	31
10. Puesta en marcha	32
10.1 Protección interna contra quemaduras a través de la ranura del puente	32
10.2 Cambiar la salida de potencia a través de la ranura del puente; solo para modelos con potencia de salida seleccionable	32
10.3 Puesta en marcha inicial	33
10.4 Operación con agua precalentada	33
10.5 Reinicio	34
11. Apagado del calentador de agua	34
12. Métodos alternativos de instalación	34
12.1 Instalación oculta, conexión eléctrica desde abajo	34
12.2 Conexión eléctrica con cable de alimentación corto	34
12.3 Instalación oculta, conexión eléctrica desde arriba	34
12.4 Conexión eléctrica desde el lateral, instalación no oculta	35
12.5 Instalación oculta, conexiones de agua	35
13. Información para servicio técnico	36
14. Resolución de problemas	36
15. Mantenimiento	37
15.1 Drenaje del calentador de agua	37
15.2 Limpieza de la malla de filtro	37

16. Especificaciones	38
16.1 Dimensiones y conexiones	38
16.2 Diagrama de cableado	38
16.3 Salida del ACS	38
16.4 Áreas de aplicación/tabla de conversión	39
16.5 Caída de presión, cómo calcular el tamaño de la tubería	39
16.6 Condiciones de falla	39
16.7 Tabla de datos	40
17. Garantía	41

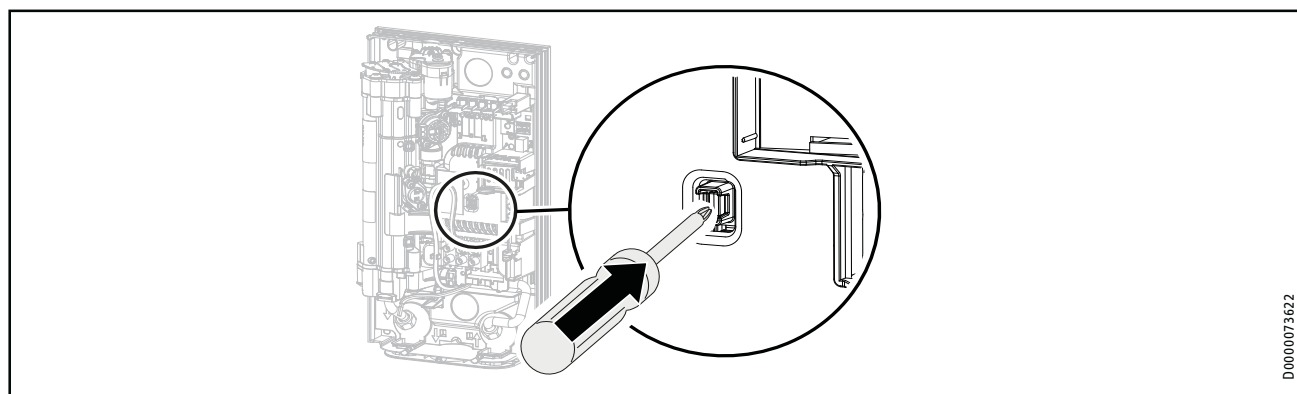
A. GUÍA RÁPIDA DE INICIO

Antes de encender el calentador de agua, DEBE eliminar todo el aire del sistema y luego activar el interruptor de seguridad AE3. La unidad NO funcionará hasta el interruptor de seguridad AE3 no se encuentre activado.

- 1 Monte la unidad en la pared (Consulte la sección 9.1, “Instalación estándar no oculta”, pág. 31).
- 2 Conecte las conexiones de agua (Consulte la sección 8.3, “Conexiones de agua”, pág. 30).
- 3 Conecte las conexiones eléctricas, pero mantenga el interruptor apagado. (Consulte la sección 9.2, “Conexión eléctrica”, pág. 31)



- 4 Abra y cierre todas las válvulas de salida conectadas al menos 15 veces, durante al menos 3 minutos en total, hasta que se haya purgado todo el aire de la tubería y el calentador de agua.
- 5 Asegúrese de que no haya fugas de agua en ninguna conexión de plomería.

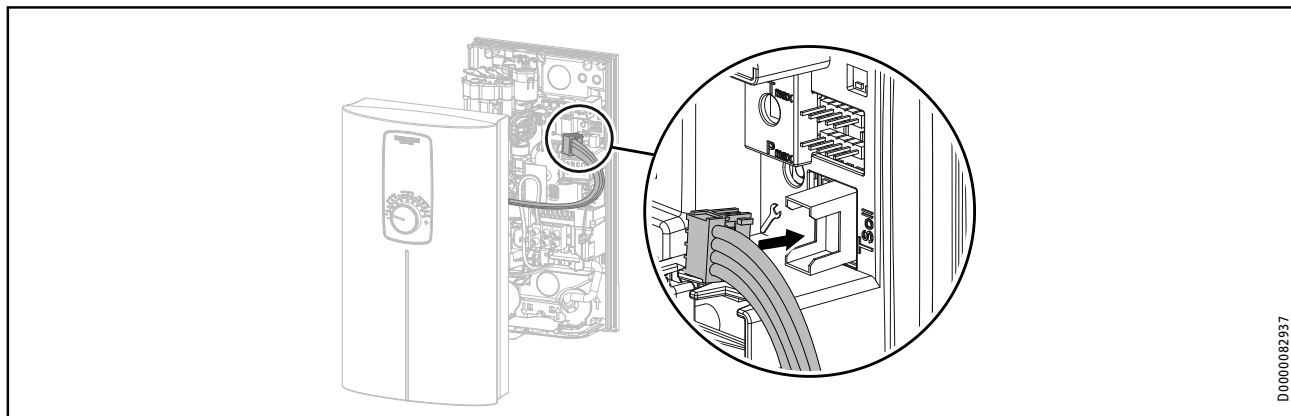


- 6 **Active el interruptor de seguridad AE3 presionando firmemente el botón blanco de reinicio hasta que haga clic y se bloquee en su lugar** (el calentador de agua se entrega con el interruptor de seguridad desactivado).

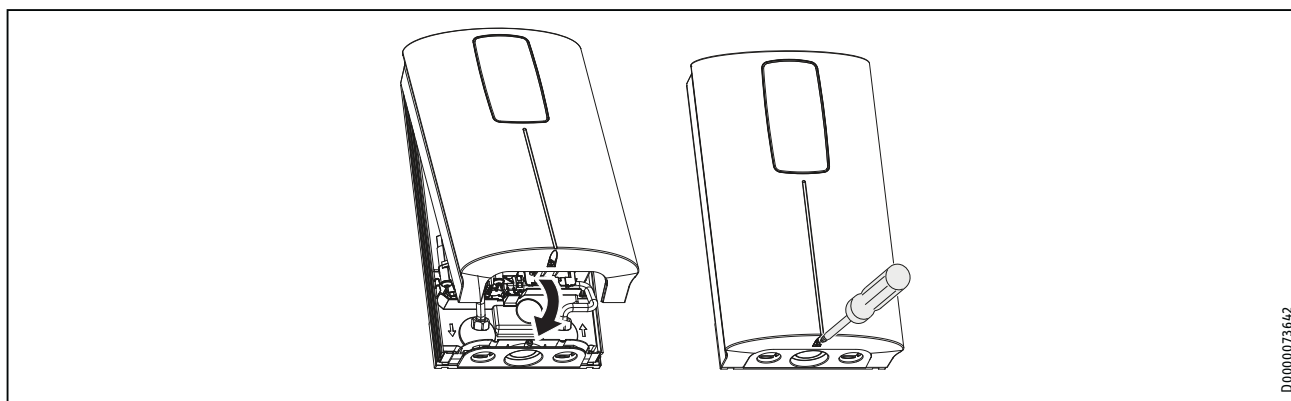
página siguiente >

A. GUÍA RÁPIDA DE INICIO

- 7** Asegúrese de que el cable entre los controles de la cubierta frontal y la unidad principal está conectado en ambos extremos en el enchufe correcto.



- 8** Enganche la cubierta en la parte superior de la tapa trasera del calentador de agua. Empuje la tapa hacia abajo. Verifique que la cubierta esté bien asentada en las partes superior e inferior.



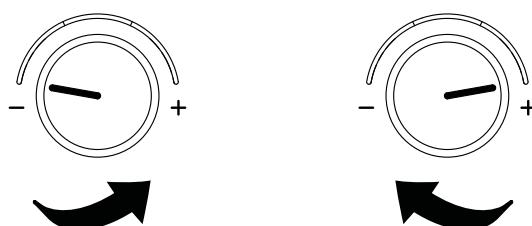
- 9** Asegure la cubierta con el tornillo.
10 Retire la película protectora del panel frontal.
11 Encienda el calentador de agua accionando el interruptor del panel de interruptores.



Encienda la fuente de alimentación.

D0000053281

- 12** Asegúrese de que la unidad de programación funciona correctamente.
13 Gire el selector de temperatura completamente hacia la izquierda y luego hacia la derecha.



INFORMACIÓN ESPECIAL

- Lea todo este manual. El incumplimiento de todas las guías, instrucciones y normas puede causar lesiones personales o daños a la propiedad. La instalación, el ajuste, la alteración, el servicio y el uso incorrectos de esta unidad pueden provocar lesiones graves.
- Esta unidad debe ser instalada por un electricista y plomero autorizado. La instalación debe cumplir con todos los códigos de plomería y electricidad nacionales, estatales y locales. La instalación correcta es responsabilidad del instalador. El incumplimiento de las instrucciones de instalación y funcionamiento o el uso incorrecto anulan la garantía.
- Guarde estas instrucciones para referencia futura. El instalador debe dejar estas instrucciones al consumidor.
- Si tiene alguna consulta con respecto a la instalación, el uso o el funcionamiento de este calentador de agua, o si necesita manuales de instalación adicionales, comuníquese con nuestra línea de servicio técnico al 800.582.8423 (solo para EE. UU. y Canadá). Si llama desde fuera de EE. UU. o Canadá, llame al número 413.247.3380 de EE. UU. y lo derivaremos a un asesor calificado de servicio de Stiebel Eltron dentro de su área.
- El calentador de agua puede ser utilizado por niños mayores de 3 años, personas con capacidades físicas, sensoriales o mentales reducidas y personas sin experiencia o conocimientos previos, siempre y cuando lo hagan bajo supervisión o se les haya instruido sobre cómo usar el calentador de agua de manera segura y hayan comprendido los riesgos potenciales. Los niños nunca deben jugar con el calentador de agua. Los niños nunca deben limpiar el calentador de agua ni realizar tareas de mantenimiento del usuario a menos que lo hagan bajo supervisión de un adulto.
- Asegúrese de que el calentador de agua pueda separarse de la fuente de alimentación mediante un disyuntor que desconecte todos los polos con una separación de contacto de al menos 1/8 pulg. (3 mm).
- El calentador de agua está diseñado para brindar duchas en muchos tipos de climas (funcionamiento de ducha). Si usted planea usar el calentador de agua para duchas, ya sea de manera exclusiva o no, un técnico calificado debe ajustar el rango de temperatura a 131 °F (55 °C) o menos, utilizando la protección interna contra quemaduras del calentador de agua. Si se utiliza agua precalentada, debe asegurarse de que la temperatura de entrada no exceda los 131 °F (55 °C).
- El voltaje especificado debe coincidir con la fuente de alimentación. Consulte la placa de identificación en el lado derecho del calentador de agua.
- **PRECAUCIÓN: NO INSTALE EL CALENTADOR DENTRO DE UNA MAMPARA DE BAÑO O MAMPARA DE DUCHA NI LO CONECTE A UN ABLANDADOR DE AGUA DE SAL REGENERANTE O A UN SUMINISTRO DE AGUA SALADA**
- PARA USO EN UN CIRCUITO DE RAMA INDIVIDUAL SOLAMENTE**
- PRECAUCIÓN: CONECTAR SOLO A UN CIRCUITO PROTEGIDO POR UN INTERRUPTOR DIFERENCIAL CLASE A**
- USE SÓLO CONDUCTORES DE COBRE**
- USE EL CONDUCTOR DE UNIÓN ADECUADO SEGÚN EL CÓDIGO ELÉCTRICO CANADIENSE, PARTE I**
- El calentador de agua debe estar correctamente conectado a tierra. Consulte la sección 16.2, “Diagrama de cableado”, pág. 38.
- El calentador de agua debe estar conectado permanentemente a un cableado fijo. Solo se debe usar en un circuito derivado individual. Consulte la sección 16.2, “Diagrama de cableado”, pág. 38.
- Asegure el calentador de agua como se describe en el capítulo 9, “Instalación”, pág. 31.
- Respete la presión de suministro de agua máxima permitida de 145 psi (10 bar). Consulte la sección 16.7, “Tabla de datos”, pág. 40.
- Respete la presión de suministro de agua mínima permitida de 26.1 psi (1.8 bar). Consulte la sección 16.7, “Tabla de datos”, pág. 40.
- Drene el calentador de agua como se describe en la sección 15.1, “Drenaje del calentador de agua”, pág. 37.

FUNCIONAMIENTO

1. Información general

Los capítulos “Información especial” y “Funcionamiento” están destinados tanto a usuarios como a técnicos calificados.

El capítulo “Instalación” está destinado a técnicos calificados.



Nota

Lea estas instrucciones con detenimiento antes de usar el calentador de agua y consérvelas para referencia futura. Si es necesario, pase las instrucciones a un nuevo usuario.

1.1 Instrucciones de seguridad

1.1.1 Estructura de las instrucciones de seguridad



PALABRA CLAVE Tipo de riesgo

A continuación, se enumeran las posibles consecuencias que pueden resultar del incumplimiento de las instrucciones de seguridad.

► Se indica cómo prevenir el riesgo.

1.1.2 Símbolos y tipos de riesgo

Símbolo	Tipo de riesgo
	Lesiones
	Electrocución
	Quemaduras (quemaduras, escaldaduras)

1.1.3 Palabras clave

PALABRA CLAVE	Significado
PELIGRO	El incumplimiento de esta información provocará lesiones graves o la muerte.
ADVERTENCIA	El incumplimiento de esta información puede provocar lesiones graves o la muerte.
PRECAUCIÓN	El incumplimiento de esta información puede provocar lesiones no graves o leves.

1.2 Otros símbolos que aparecen en esta documentación



Nota

La información general se identifica con el símbolo adyacente.

► Lea estos textos cuidadosamente.

Símbolo	Significado
	Pérdidas materiales (Daño del calentador de agua, pérdidas indirectas y contaminación ambiental)
	Eliminación del aparato

► Este símbolo indica que usted tiene que hacer algo. La acción que debe realizar se describe paso a paso.

1.3 Unidades de medida



Nota

Todas las medidas se dan en pulgadas (milímetros), a menos que se indique lo contrario.

2. Seguridad

2.1 Uso correcto

Este calentador de agua es adecuado para el calentamiento de agua sanitaria o para recalentar agua precalentada. El calentador de agua puede brindar suministro a una o más salidas de agua.

El agua no se recalentará si la misma excede la temperatura máxima de entrada para el recalentamiento.

El calentador de agua está diseñado para uso doméstico. Puede ser utilizado de manera segura por personas no capacitadas. El calentador de agua también se puede usar en entornos no domésticos, por ejemplo, en pequeñas empresas, con la condición de que se utilice de la misma manera.

Cualquier otro uso que no esté estipulado se considerará inapropiado. El cumplimiento de estas instrucciones y de las instrucciones de cualquier accesorio también forma parte del uso correcto de este calentador de agua.

2.2 Instrucciones generales de seguridad



PELIGRO Quemaduras

Las temperaturas de agua superiores a 125 °F (52 °C) pueden causar quemaduras graves al instante o muerte por quemadura. Si el puente del calentador de agua está demasiado alto, puede causar quemaduras. Si en su hogar hay niños pequeños o personas mayores o discapacitadas, puede ajustar el puente a 110 °F (43 °C) o menos para evitar posibles lesiones por agua caliente.



PRECAUCIÓN Quemaduras

Si funciona con agua precalentada, por ejemplo, de un sistema térmico solar, la temperatura del agua caliente sanitaria (ACS) puede variar de la temperatura establecida.



PRECAUCIÓN Quemaduras

Durante el funcionamiento, el grifo puede alcanzar temperaturas de hasta 158 °F (70 °C). Existe riesgo de quemaduras cuando la temperatura del agua que sale supera los 110 °F (43 °C).



PELIGRO Lesiones
Por favor lea y siga estas instrucciones. El incumplimiento de estas instrucciones puede provocar lesiones personales graves o la muerte.



PRECAUCIÓN: NO INSTALE EL CALENTADOR DENTRO DE UNA MAMPARA DE BAÑO O MAMPARA DE DUCHA NI LO CONECTE A UN ABLANDADOR DE AGUA DE SAL REGENERANTE O A UN SUMINISTRO DE AGUA SALADA.

PARA USO EN UN CIRCUITO DE RAMA INDIVIDUAL SOLAMENTE

PRECAUCIÓN: CONECTAR SOLO A UN CIRCUITO PROTEGIDO POR UN INTERRUPTOR DIFERENCIAL CLASE A USE SÓLO CONDUCTORES DE COBRE

USE EL CONDUCTOR DE UNIÓN ADECUADO SEGÚN EL CÓDIGO ELÉCTRICO CANADIENSE, PARTE I



PELIGRO Electrocuación
Antes de proceder con cualquier instalación, ajuste, alteración o servicio técnico de este aparato, todos los disyuntores e interruptores de conexión que lo alimentan deben estar apagados. De lo contrario, podrían producirse lesiones personales graves o la muerte.



ADVERTENCIA Electrocuación
Nunca quite ni vuelva a colocar la cubierta del calentador de agua sin desconectar la electricidad. De lo contrario, podrían producirse lesiones personales graves o la muerte.



DAÑO AL CALENTADOR DE AGUA Y AL MEDIO AMBIENTE:
El calentador de agua debe ser instalado por un electricista y plomero autorizado. La instalación debe cumplir con todos los códigos de plomería y electricidad nacionales, estatales y locales.
El servicio técnico del calentador de agua debe ser realizado por técnicos calificados.



DAÑO AL CALENTADOR DE AGUA Y AL MEDIO AMBIENTE:
Este aparato debe estar alimentado por un sistema conectado a tierra. Se proporciona un terminal verde (o un conector de cable marcado "G", "GR", "GROUND" O "GROUNDING") para el cableado del aparato. Para reducir el riesgo de descarga eléctrica, conecte este terminal o conector al terminal de conexión a tierra del servicio eléctrico o al panel de suministro a través de un cable de cobre continuo que cumpla con lo estipulado en el código de instalación eléctrica.



Nota
Para montar el calentador de agua en la pared, se deben usar tornillos avellanados suministrados para mantener la clasificación IP 24. Consulte la sección 9.1.4, "Montaje del calentador de agua", pág. 31.



ADVERTENCIA Lesiones
El aparato puede ser utilizado por niños mayores 3 años, personas con capacidades físicas, sensoriales o mentales reducidas y personas sin experiencia o conocimientos previos, siempre y cuando lo hagan bajo supervisión o se les haya instruido sobre cómo usar el aparato de manera segura y hayan comprendido los riesgos potenciales. Los niños nunca deben jugar con el aparato. Los niños nunca deben limpiar el aparato ni realizar tareas de mantenimiento del usuario a menos que se encuentren bajo la supervisión de un adulto.

Si usted permite a los niños o las personas con capacidades físicas, sensoriales o mentales limitadas usar este calentador de agua, recomendamos que solicite al técnico calificado que establezca un límite de temperatura permanente usando la "Protección interna contra quemaduras".



Pérdidas materiales
El usuario debe proteger el calentador de agua de la escarcha.

2.3 Símbolos de prueba

Consulte la placa de identificación del calentador de agua.

2.4 Licencias/certificados

- UL (EE. UU.) Std. 499
- CSA (Canadá) Std. C22.2 No. 64

3. Descripción del calentador de agua

El calentador de agua se enciende automáticamente al abrir la válvula de agua caliente del grifo. Al cerrar el grifo, el calentador de agua se apaga automáticamente. La unidad calienta el agua a medida que esta fluye.

A partir del caudal de activación, la unidad de control regula la salida de calentamiento correcta, según la temperatura seleccionada y la temperatura actual del agua fría. Se puede ajustar la temperatura de salida del ACS de forma variable.

El calentador de agua sin tanque con control electrónico mantiene una temperatura de salida constante. Esta temperatura es independiente de la temperatura de entrada, hasta el límite de temperatura de salida máxima del calentador de agua.

Si el calentador de agua funciona con agua precalentada y la temperatura de entrada excede la temperatura seleccionada, el agua no se calienta más.

Temperatura del ACS

La temperatura de salida del ACS se puede ajustar de forma variable, dentro un rango de 68-140 °F (20-60 °C).

Sistema de calentamiento

El sistema de calentamiento Direct Coil™ se compone de una cámara de calentamiento de poliamida reforzada con vidrio y probada a presión que contiene una bobina de calentamiento directo de alambre de nicrom. Está diseñado para aguas duras y blandas y es, en gran medida, resistente a la acumulación de incrustaciones.

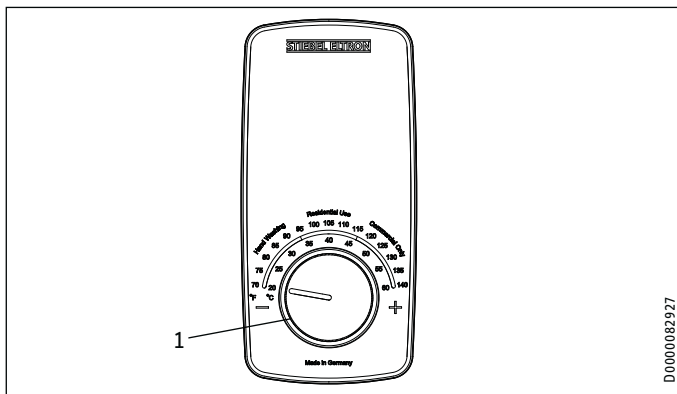
El sistema de calentamiento Direct Coil™ garantiza la producción rápida y eficiente de ACS.



Nota

El calentador de agua está equipado con un detector de aire que evita el daño al sistema de calentamiento. Si, durante el funcionamiento, ingresa aire al calentador de agua, el calentador de agua apagará la salida de calor durante un minuto para proteger el sistema de calentamiento.

3.1 Ajuste de la temperatura



1 Selector de temperatura

3.2 Configuraciones recomendadas

Su calentador de agua eléctrico sin tanque ofrece la máxima comodidad y precisión al proporcionar ACS. Si necesita operar el calentador de agua con una válvula termostática, le recomendamos que:

- ▶ Ajuste la temperatura del calentador de agua a más de 122 °F (50 °C). Luego ajuste la temperatura establecida requerida en la válvula termostática.

Ahorro de energía

La siguiente configuración recomendada dará como resultado el menor consumo de energía:

- 100 °F (38 °C) para lavamanos, duchas, baños
- 131 °F (55 °C) para fregaderos de cocina

Protección interna contra quemaduras (técnicos calificados)

Si es necesario, un técnico calificado puede establecer un límite de temperatura permanente, por ejemplo, en guarderías, hospitales, etc.

Para el suministro de una ducha, el técnico calificado debe ajustar el rango de temperatura del calentador de agua a 131 °F (55 °C) o menos.

Para obtener información completa, consulte la sección 10.1, "Protección interna contra quemaduras a través de la ranura del puente", pág. 32.

Ajuste recomendado para el funcionamiento con una válvula termostática y agua precalentada por energía solar

- ▶ Ajuste la temperatura del calentador de agua a la temperatura máxima.

Después de una interrupción en el suministro de agua



Pérdidas materiales

Para asegurarse de que el sistema de calentamiento Direct Coil™ no se dañe después de una interrupción en el suministro de agua, debe seguir estos pasos para reiniciar el calentador de agua.

- ▶ Apague la alimentación eléctrica de la unidad en el panel de interruptores, asegurándose de que los interruptores de circuito conectados estén en la posición "OFF", para evitar cualquier peligro de descarga eléctrica.
- ▶ Abra y cierre el grifo al menos cinco veces durante un total de tres minutos, hasta que no quede aire dentro del calentador de agua ni de la línea de entrada de agua fría.
- ▶ Vuelva a colocar los interruptores en la posición "ON" para reconectar la alimentación eléctrica.

4. Limpieza, cuidado y mantenimiento

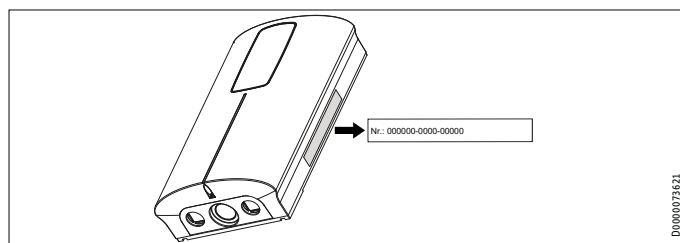
- ▶ Nunca use agentes de limpieza abrasivos o corrosivos. Use un paño húmedo para limpiar el calentador de agua.
- ▶ Verifique los grifos regularmente. Se pueden eliminar los depósitos de cal de las salidas de los grifos con agentes desincrustantes disponibles en el mercado.

5. Resolución de problemas

Problema	Causa	Solución
El calentador de agua no arranca a pesar de que la válvula de agua corriente está completamente abierta	No hay electricidad	Verifique si saltó el interruptor del panel de interruptores. Reinicie si es necesario No se activó el interruptor blanco de seguridad AE3 durante la configuración inicial. Actívalo si es necesario (Consulte la sección 10.3.1, "Activación inicial del interruptor de seguridad AE3", pág. 33). Si el interruptor AE3 saltó después de la instalación inicial, comuníquese con un técnico calificado para solucionar la causa.
	El aireador del grifo o la regadera tiene incrustaciones o suciedad	Limpie y/o desincruste el aireador o la regadera
	Se ha interrumpido el suministro de agua	Ventile el calentador de agua y la línea de entrada de agua fría
Cuando se extrae agua caliente, por un período corto, sale agua fría	El detector de aire detecta aire en el agua. Se apaga la salida de calor brevemente	El calentador de agua se reinicia automáticamente después de 1 minuto

Problema	Causa	Solución
Se oyen ruidos de ebullición durante el funcionamiento	El calentador de agua no ha sido ventilado La presión de suministro es demasiado baja	El calentador de agua no ha sido ventilado (consulte la sección 10.3, "Puesta en marcha inicial", pg. 33) Asegúrese de que se cumple la presión mínima de suministro de 26.1 psi, y que la presión máxima no supera los 145 psi (consulte la sección 16.7, "Tabla de datos", pág. 40)
No se puede establecer la temperatura requerida	La protección interna contra quemaduras está activa	La protección interna contra quemaduras solo puede ser ajustada por técnicos calificados

Si no puede resolver la falla, comuníquese con un técnico calificado. Para facilitar y agilizar su solicitud, proporcione el número de serie de la placa de identificación (000000-0000-000000).



INSTALACIÓN

6. Seguridad

Los trabajos de instalación, verificación y reparación del calentador de agua solo deben ser realizados por un técnico calificado.

6.1 Instrucciones generales de seguridad

Garantizamos el funcionamiento sin problemas y la confiabilidad operativa solo si se utilizan accesorios y repuestos originales destinados al calentador de agua.



Pérdidas materiales

Respete la temperatura máxima de entrada. Las temperaturas superiores pueden dañar el calentador de agua. Puede limitar la temperatura máxima de entrada instalando una válvula termostática central.



ADVERTENCIA Electrocutación

Este calentador de agua contiene condensadores que se descargan cuando se desconecta de la fuente de alimentación. El voltaje de descarga del condensador puede exceder brevemente los 60 V CC.

6.2 Instrucciones, normas y regulaciones



Nota

Respete todas las regulaciones e instrucciones nacionales y regionales pertinentes.

- La clasificación de protección IP 24 (a prueba de salpicaduras) solo puede garantizarse mediante la utilización de un pasa cable correctamente ajustado y mediante el uso de tornillos avellanados suministrados de un diámetro máximo de 4.5 mm y un diámetro máximo de la cabeza del tornillo de 9 mm.
- La resistividad eléctrica del agua no debe ser inferior a la indicada en la placa de identificación. En una red de agua vinculada, tenga en cuenta la resistividad eléctrica más baja del agua. Su empresa de suministro de agua puede informarle sobre la resistividad eléctrica o la conductividad del agua en su área.

7. Descripción del calentador de agua

7.1 Entrega común

Junto con el calentador de agua, se entregan:

- Pasa cables
- Malla de filtro, instalada de fábrica en la entrada de agua fría
- Puente para selección de salida de potencia, conectado
- Puente para ajuste de temperatura, conectado
- Puente de repuesto
- Enchufe para conexión eléctrica, instalación no oculta, en el centro de la parte inferior
- 4 x tornillos avellanados
- 4 x anclajes de pared

7.2 Accesorios

Kit de instalación para conexiones ocultas de agua

Se requieren los siguientes accesorios para instalaciones en conexiones ocultas de agua (no incluido, disponible como kit, número de parte 200017 - IW-Kit LA):

- 2 x tapones para sellar las aberturas en la cubierta posterior del calentador de agua
- 2 x conectores dobles de 45°
- Malla de filtro con borde sellado para la instalación en el conector doble de 45°
- Junta plana

8. Preparativos

8.1 Lugar de instalación



Pérdidas materiales

Instale el calentador de agua en una habitación en la que no haya riesgo de escarcha.

- Siempre instale el calentador de agua de manera vertical, con los accesorios de plomería apuntando hacia abajo.

El calentador de agua puede brindar suministro a diversos accesorios fijos, y se debe instalar debajo o encima de los accesorios conectados. El calentador de agua debe colocarse lo más cerca posible de los principales puntos de extracción para minimizar los tramos de tubería.

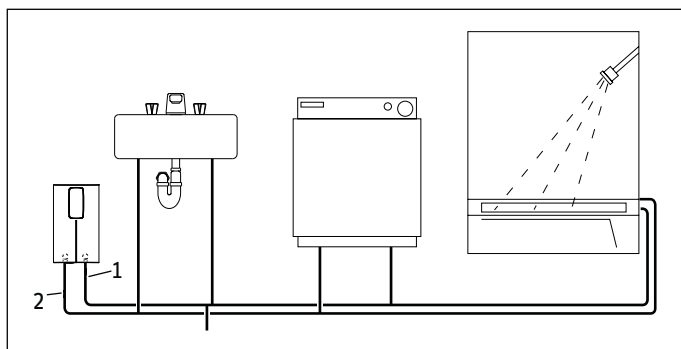
INSTALACIÓN

Preparativos

Grifos

No utilice grifos con válvula de venteo o grifos sin presurizar.

Instalación residencial típica



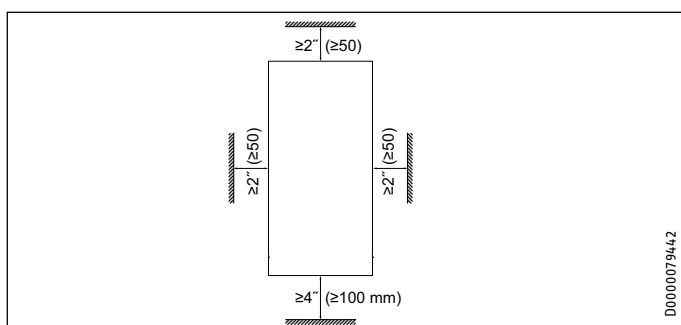
- 1 Entrada de agua fría
- 2 Salida de ACS (agua caliente sanitaria)



Nota

- Instale el calentador de agua al ras de la pared. La pared debe tener suficiente capacidad de carga.

8.2 Espacios libres mínimos



- Mantenga los espacios libres mínimos para garantizar un funcionamiento sin problemas del calentador de agua y facilitar el trabajo de mantenimiento.

8.3 Conexiones de agua



PRECAUCIÓN: NO INSTALE EL CALENTADOR DENTRO DE UNA MAMPARA DE BAÑO O MAMPARA DE DUCHA NI LO CONECTE A UN ABLANDADOR DE AGUA DE SAL REGENERANTE O A UN SUMINISTRO DE AGUA SALADA.

PARA USO EN UN CIRCUITO DE RAMA INDIVIDUAL SOLAMENTE

PRECAUCIÓN: CONECTAR SOLO A UN CIRCUITO PROTEGIDO POR UN INTERRUPTOR DIFERENCIAL CLASE A USE SÓLO CONDUCTORES DE COBRE

USE EL CONDUCTOR DE UNIÓN ADECUADO SEGÚN EL CÓDIGO ELÉCTRICO CANADIENSE, PARTE I



Pérdidas materiales

Realice todos los trabajos de conexión e instalación de agua respetando la normativa.



Pérdidas materiales

El calor excesivo de la soldadura de tuberías de cobre cerca del DCE puede dañar la unidad o la malla de filtro de plástico ubicada en la entrada de agua fría.



AVISO

Usted DEBE desconectar la conexión de agua fría que ingresa a la unidad de manera periódica para limpiar la malla de filtro. Se requiere el uso de conexiones de agua que sean fácilmente desmontables, como los conectores flexibles de acero trenzado.



AVISO

Las aguas duras o con un alto recuento de minerales pueden dañar la unidad. La garantía no cubre los daños a la unidad causados por incrustaciones o un alto recuento de minerales.



AVISO

Los calentadores de agua sin tanque como el DCE no requieren válvulas de alivio de temperatura y presión (T&P). Si el inspector local no aprobara la instalación sin una T&P, esta debe instalarse al lado de la salida de agua caliente de la unidad.

- Asegúrese de descargar la línea de suministro de agua fría para eliminar las incrustaciones y la suciedad.
- La unidad DCE tiene una malla de filtro incorporada en la entrada de agua fría que debe limpiarse de vez en cuando. Limpie la malla y vuelva a colocarla en su posición original. Consulte la sección 15.2, "Limpieza de la malla de filtro", pág. 37.
- La conexión de agua fría (entrada) está en el lado derecho de la unidad, y la conexión de agua caliente (salida) está en el lado izquierdo de la unidad.

8.4 Materiales de conexión de agua permitidos

- La salida de agua caliente del DCE (izquierda) está diseñada para conectarse a un tubo de cobre, un tubo PEX o una manguera trenzada de acero inoxidable con una rosca cónica hembra NPT de 1/2 pulg.
- La tubería de la entrada de agua fría (derecha) debe ser tal que se pueda quitar fácilmente para permitir el acceso a la malla de filtro de entrada. La forma más fácil de lograr esto es usar un conector flexible de acero trenzado con una conexión hembra NPT de 1/2 pulg.
- Si es necesario soldar cerca de la unidad, aleje la llama de la carcasa de la unidad para evitar daños.
- Cuando se complete todo el trabajo de plomería, verifique si hay fugas y daños en la malla de filtro. Tome medidas correctivas antes de continuar.

INSTALACIÓN

Instalación



Pérdidas materiales

Si se utilizan tuberías de plástico, tenga en cuenta la temperatura máxima de entrada y la presión máxima permitidas.

8.4.1 Velocidad de flujo

- ▶ Antes de encender el calentador de agua, asegúrese de tener la velocidad de flujo mínima para la activación: 0.264 galones (1.0 l/min).
- ▶ Si no se alcanza la velocidad de flujo mínima para la activación cuando la válvula de salida está completamente abierta, aumente la presión de la línea de agua.
- ▶ La presión mínima de la línea de suministro de agua fría entrante debe ser de al menos 26.1 psi (1.8 bar).

9. Instalación

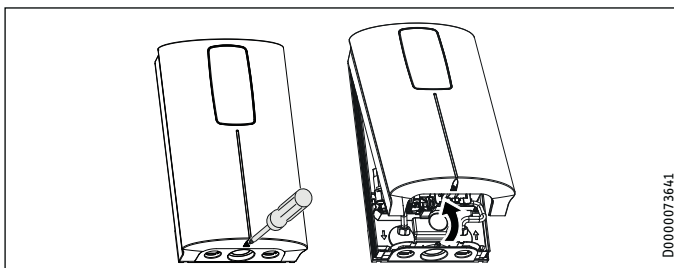
Ajustes de fábrica	DCE 10 Plus	DCE 13 Plus	DCE 15 Plus
Ajuste de temperatura interna en °F (°C)	140 (60)	140 (60)	140 (60)
Potencia de salida en kW			
@ 208 V	7.2	11.8	10.7
@ 220 V	8.0	13.2	12.0
@ 240 V	9.6		14.4

Instalación estándar	DCE 10 Plus	DCE 13 Plus	DCE 15 Plus
Conexión eléctrica desde abajo, instalación no oculta	x	x	x
Conexión de agua, instalación no oculta	x	x	x

Para ver otras opciones de instalación, incluidas las opciones ocultas de conexión eléctrica y de agua en la pared, consulte el capítulo 12, "Métodos alternativos de instalación", pág. 34.

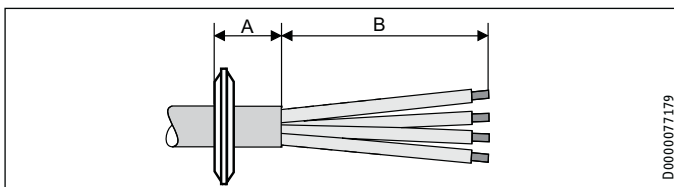
9.1 Instalación estándar no oculta

9.1.1 Retirar la tapa



- ▶ Para abrir el calentador de agua, afloje el tornillo y levante la cubierta desde la parte inferior.

9.1.2 Preparación del cable de alimentación



- ▶ Prepare el cable de alimentación.

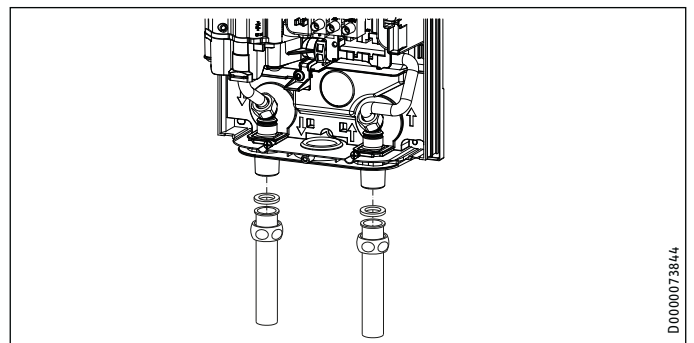
Posición para instalación no oculta	Dimensión A	Dimensión B
Abajo, centro	1½" (30 mm)	4¾" (120 mm)
Abajo, a la izquierda del calentador de agua	½" (20 mm)	3½" (90 mm)
Abajo, a la derecha del calentador de agua	½" (20 mm)	3½" (90 mm)
Arriba, a la derecha del calentador de agua	½" (20 mm)	3⅛" (80 mm)
Posición para instalación oculta	Dimensión A	Dimensión B
Abajo	½" (20 mm)	3½" (90 mm)
Arriba	½" (20 mm)	3⅛" (80 mm)

9.1.3 Preparación

- ▶ Corte un agujero en el pasa cables para que se ajuste al cable de conexión seleccionado. Coloque el pasa cables.

9.1.4 Montaje del calentador de agua

- ▶ Marque los 4 agujeros de perforación, haciendo referencia a su posición en la cubierta posterior del calentador de agua.
- ▶ Taladre los agujeros y fije el calentador de agua utilizando los anclajes de pared y los tornillos avellanados suministrados, Ø 4.5 mm, diámetro máx. de cabeza de tornillo 9 mm. Se deben utilizar tornillos avellanados para mantener la clasificación IP 24.



- ▶ Conecte los conectores flexibles de acero trenzado (recomendado, no suministrado) u otra tubería a los conectores dobles macho NPT de ½ pulg.
- ▶ Abra la válvula de la línea de entrada de agua fría.

9.2 Conexión eléctrica



ADVERTENCIA Electrocutación

Antes de comenzar cualquier trabajo en la instalación eléctrica, asegúrese de que los interruptores del panel principal de interruptores estén en la posición "Off" para evitar cualquier peligro de descarga eléctrica. Antes de proceder con la conexión eléctrica, se debe completar el montaje y la plomería. Cuando así lo exijan los códigos eléctricos locales, estatales o nacionales, los circuitos deben contar con un "interruptor diferencial".

La unidad debe estar correctamente conectada a tierra de acuerdo con los códigos estatales y locales o, en ausencia de dichos códigos, de acuerdo con el código eléctrico nacional o el código eléctrico canadiense. Si el producto no se conecta a tierra, se pueden producir lesiones personales graves o la muerte.



ADVERTENCIA Electrocutación

Solo se permite una conexión permanente a la fuente de alimentación usando el pasa cables extraíble. Asegúrese de que el calentador de agua esté separado de la fuente de alimentación mediante un interruptor aislador que desconecte todos los polos con una separación de contacto de al menos 1/8 pulg. (3 mm).



Alimente este aparato solo desde un sistema conectado a tierra. Se proporciona un terminal verde (o un conector de cable marcado "G", "GR", "GROUND" O "GROUNDING") para el cableado del aparato. Para reducir el riesgo de descarga eléctrica, conecte este terminal o conector al terminal de conexión a tierra del servicio eléctrico o panel de suministro con un cable de cobre continuo de acuerdo con el código de instalación eléctrica.



PRECAUCIÓN: NO INSTALE EL CALENTADOR DENTRO DE UNA MAMPARA DE BAÑO O MAMPARA DE DUCHA NI LO CONECTE A UN ABLANDADOR DE AGUA DE SAL REGENERANTE O A UN SUMINISTRO DE AGUA SALADA.

PARA USO EN UN CIRCUITO DE RAMA INDIVIDUAL SOLAMENTE

PRECAUCIÓN: CONECTAR SOLO A UN CIRCUITO PROTEGIDO POR UN INTERRUPTOR DIFERENCIAL CLASE A USE SÓLO CONDUCTORES DE COBRE

USE EL CONDUCTOR DE UNIÓN ADECUADO SEGÚN EL CÓDIGO ELÉCTRICO CANADIENSE, PARTE I



Pérdidas materiales

Respete la placa de identificación. El voltaje nominal especificado debe coincidir con el voltaje de la línea de suministro.



Pérdidas materiales

El DCE 13 Plus solo debe conectarse a un suministro eléctrico de 208 V o 220 V. Si se conecta el DCE 13 Plus a un suministro eléctrico de 240 V, se producirá un daño permanente a la unidad que anula la garantía de fábrica.

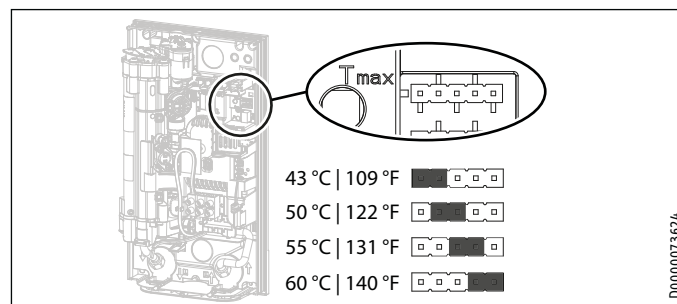
- ▶ Empuje el cable de alimentación a través del pasa cables.
- ▶ Conecte el cable de alimentación al bloque de cableado (Consulte la sección 16.2, "Diagrama de cableado", pág. 38).

10. Puesta en marcha

10.1 Protección interna contra quemaduras a través de la ranura del puente

Para mayor seguridad, un técnico calificado puede establecer un límite interno de temperatura contra las quemaduras a través del puente "Tmax". La función de protección contra quemaduras limita la temperatura máxima de salida del calentador de agua. Esta característica anula la perilla selectora de temperatura en la cubierta frontal. Los usuarios todavía podrán hacer ajustes de temperatura por debajo del límite contra quemaduras usando la perilla selectora de temperatura; sin embargo, cualquier temperatura seleccionada que sea más alta que el límite Tmax será

ignorada, y la temperatura de salida estará limitada al valor Tmax establecido.



Posición del puente	Descripción
43 °C 109 °F	Por ejemplo, en guarderías, hospitales, etc.
50 °C 122 °F	Temperatura típica para ACS
55 °C 131 °F	Máx. para ducha
60 °C 140 °F	Ajuste de fábrica (rango de temperatura completo)
Sin puente	Límite 43 °C 109 °F

- ▶ Instale el puente en la posición requerida en el alojamiento de cables y cabecera "Tmax".



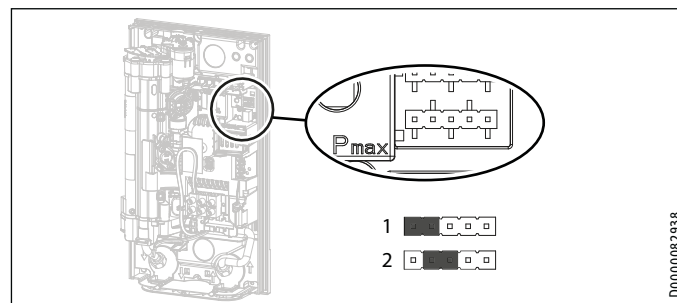
PRECAUCIÓN Quemaduras

Si el agua suministrada al calentador de agua está precalentada, se puede exceder la protección interna contra quemaduras y el límite de temperatura ajustable por el usuario.

En tales casos, limite la temperatura del agua con una válvula termostática central.

10.2 Cambiar la salida de potencia a través de la ranura del puente; solo para modelos con potencia de salida seleccionable

Los modelos DCE 10 and 15 Plus presentan una salida de potencia seleccionable. Si selecciona un valor distinto de la configuración predeterminada de fábrica, deberá volver a colocar el puente. El valor predeterminado de fábrica es la posición 2, "alto".



- ▶ Instale el puente en la posición requerida del alojamiento de cables y cabecera "Pmax".

Posición del puente	Salida de potencia DCE 10 Plus	Salida de potencia DCE 15 Plus
1 [bajo]	@ 208 V 5.4 kW	9.0 kW
	@ 220 V 6.0 kW	10.0 kW
	@ 240 V 7.2 kW	12.0 kW
2 [alto]	@ 208 V 7.2 kW	10.7 kW
	@ 220 V 8.0 kW	12.0 kW
predetermina- do de fábrica	@ 240 V 9.6 kW	14.4 kW
	@ 208 V 5.4 kW	9.0 kW
[bajo]	@ 220 V 6.0 kW	10.0 kW
	@ 240 V 7.2 kW	12.0 kW

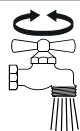
- ▶ Marque la potencia de salida seleccionada en la placa de identificación con un bolígrafo.

10.3 Puesta en marcha inicial



Nota

Durante la puesta en marcha inicial, DEBE activar el interruptor de seguridad AE3 presionando el botón de reinicio blanco antes de suministrar energía al calentador de agua. La unidad NO funcionará hasta que el interruptor de seguridad no esté activado.



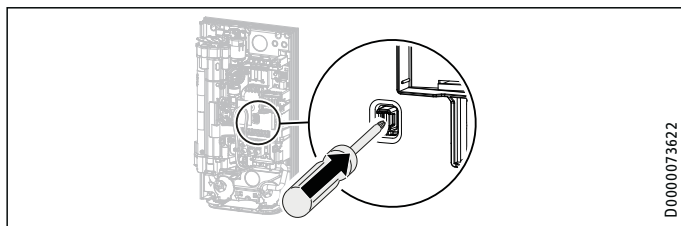
encendido
15 x
apagado

≥ 3 min.

D0000101520-C

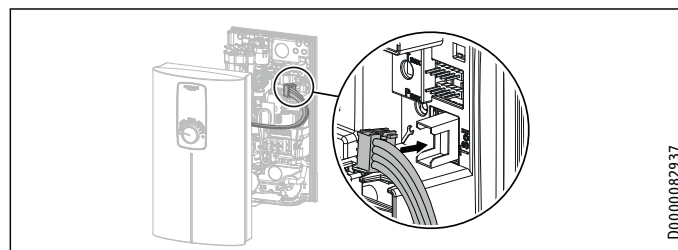
- ▶ Abra y cierre todas las válvulas de salida conectadas al menos 15 veces en total. Deje correr el agua durante al menos tres minutos, hasta que se haya purgado todo el aire de la tubería y el calentador de agua.
- ▶ Asegúrese de que no haya fugas de agua en ninguna conexión de las tuberías.

10.3.1 Activación inicial del interruptor de seguridad AE3



D0000073622

- ▶ Active el interruptor de seguridad AE3 presionando firmemente el botón blanco de reinicio hasta que haga clic y se bloquee completamente en su lugar (el calentador de agua se entrega con el interruptor de seguridad desactivado).



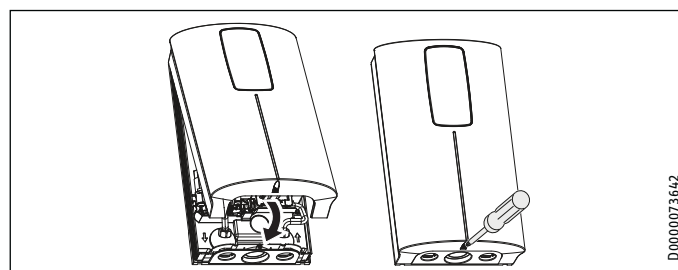
D0000082937

- ▶ Asegúrese de que el cable entre los controles de la cubierta frontal y la unidad principal está conectado en ambos extremos en el enchufe correcto.



Note

Es esencial enchufar el cable de conexión de la unidad de programación a la PCI antes de encenderlo. De lo contrario, la unidad de programación no funcionará.



D0000073642

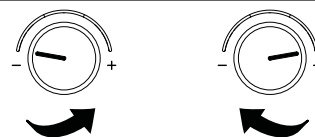
- ▶ Enganche la cubierta en la parte superior de la tapa trasera del calentador de agua. Empuje la tapa hacia abajo. Verifique que la cubierta esté bien asentada en las partes superior e inferior.
- ▶ Asegure la cubierta con el tornillo.
- ▶ Retire la película protectora del panel frontal.



Encienda la fuente de alimentación.

D0000053281

- ▶ Encienda la fuente de alimentación.
- ▶ Asegúrese de que la unidad de programación funciona correctamente.



D0000084891

- ▶ Gire el selector de temperatura completamente hacia la izquierda y luego hacia la derecha.

10.3.2 Entrega del calentador de agua

- ▶ Explique el funcionamiento del calentador de agua a los usuarios y permítales familiarizarse con su funcionamiento.
- ▶ Informe a los usuarios sobre los peligros potenciales, especialmente el riesgo de quemaduras.
- ▶ Entregue las instrucciones.

10.4 Operación con agua precalentada

Puede limitar la temperatura máxima de entrada instalando una válvula termostática central.

Apagado del calentador de agua

Use una válvula termostática para la pre mezcla central, por ejemplo, cuando opere un calentador de agua instantáneo con agua precalentada. Para usar en la ducha, la válvula debe ajustarse a un máximo de 131 °F (55 °C).

10.5 Reinicio



Pérdidas materiales

Para garantizar que el sistema de calentamiento Direct Coil™ no se dañe después de una interrupción en el suministro de agua, el calentador de agua debe reiniciarse siguiendo los siguientes pasos:

- ▶ Apague la alimentación de la unidad desde el panel de interruptores, asegurándose de que los interruptores de circuito conectados estén en la posición "OFF" para evitar cualquier peligro de descarga eléctrica.
- ▶ Abra y cierre el grifo al menos cinco veces durante tres minutos en total, hasta que el calentador de agua y su línea de entrada de agua fría estén libres de aire.
- ▶ Vuelva a conectar la alimentación en el panel de interruptores.

11. Apagado del calentador de agua

- ▶ Apague la alimentación de la unidad desde el panel de interruptores, asegurándose de que los interruptores de circuito conectados estén en la posición "OFF" para evitar cualquier peligro de descarga eléctrica.
- ▶ Drene el calentador de agua (Consulte la sección 15.1, "Drenaje del calentador de agua", pág. 37).

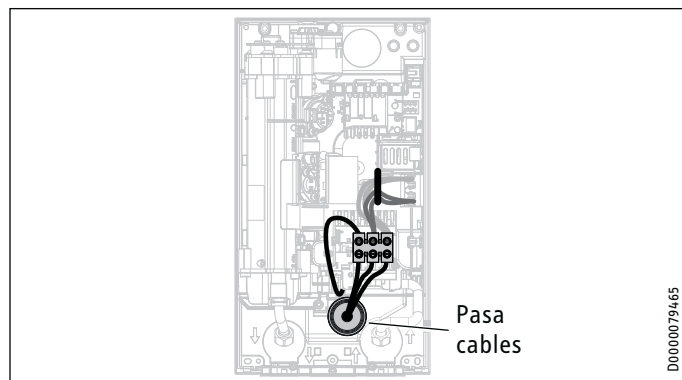
12. Métodos alternativos de instalación



ADVERTENCIA Electrocutación

Antes de realizar cualquier trabajo en el aparato, desconecte todos los polos de la fuente de alimentación.

12.1 Instalación oculta, conexión eléctrica desde abajo

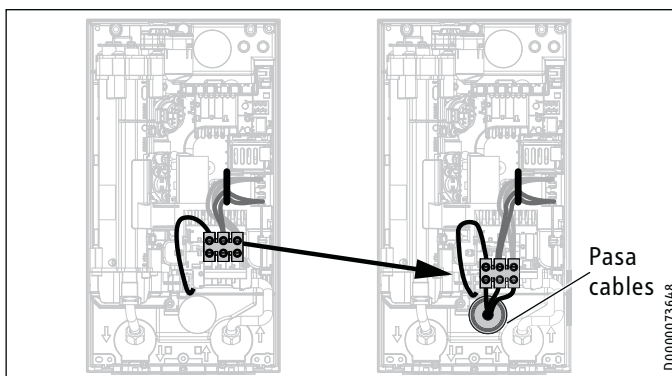


- ▶ Haga la abertura requerida para el cable de alimentación en la cubierta posterior (para conocer las posiciones, consulte el capítulo 16.1, "Dimensiones y conexiones", pág. 38). Elimine los bordes afilados con una lima.
- ▶ Corte un agujero en el pasa cables para que se ajuste al cable de conexión seleccionado. Coloque el pasa cables.

- ▶ Instale el calentador de agua y conecte el cable de alimentación al bloque de cableado como se describe en la sección 9.1, "Instalación estándar no oculta", pág. 31.
- ▶ Selle el pasa cables instalado de fábrica con el enchufe incluido en la entrega estándar.

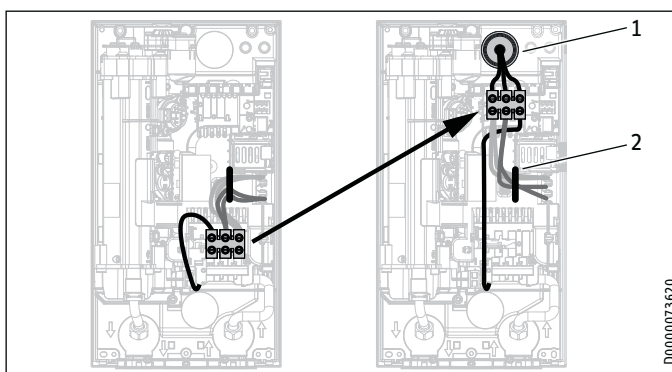
12.2 Conexión eléctrica con cable de alimentación corto

Si el cable de alimentación es corto, puede instalar el bloque de cableado más cerca de la abertura del calentador de agua.



- ▶ Vuelva a colocar el bloque de cableado de arriba hacia abajo. Para hacerlo, suelte el bloque de cableado empujándolo firmemente hacia la izquierda y jalándolo hacia adelante. Sujete el bloque de cableado en la parte inferior empujándolo hacia adentro y hacia la izquierda hasta que haga clic y encaje en su lugar.

12.3 Instalación oculta, conexión eléctrica desde arriba



- 1 Pasa cables
- 2 Tendido de cables

- ▶ Haga la abertura requerida para el cable de alimentación en la cubierta posterior (para conocer las posiciones, consulte la sección 16.1, "Dimensiones y conexiones", pág. 38). Elimine los bordes afilados con una lima.
- ▶ Corte un agujero en el pasa cables para que se ajuste al cable de conexión seleccionado. Coloque el pasa cables.
- ▶ Vuelva a colocar el bloque de cableado de abajo hacia arriba. Para hacerlo, suelte el bloque de cableado empujándolo firmemente hacia la izquierda y jalándolo hacia adelante. Gire el bloque de cableado con cables de conexión 180 ° en sentido horario. Coloque el cableado interno debajo de la guía del cable. Sujete el bloque de cableado empujándolo hacia adentro y hacia la izquierda hasta que encaje en su lugar.

- ▶ Instale el calentador de agua y conecte el cable de alimentación al bloque de cableado como se describe en la sección 16.2, "Diagrama de cableado", pág. 38.
- ▶ Selle el pasa cables instalado de fábrica con el enchufe incluido en la entrega estándar.

12.4 Conexión eléctrica desde el lateral, instalación no oculta

- ▶ Corte y rompa la abertura requerida en la cubierta posterior del calentador de agua y la cubierta del calentador de agua para el cable de alimentación (para conocer las posiciones, consulte la sección 16.1, "Dimensiones y conexiones", pág. 38). Elimine los bordes afilados con una lima.
- ▶ Instale el calentador de agua y conecte el cable de alimentación al bloque de cableado como se describe en la sección 16.2, "Diagrama de cableado", pág. 38.
- ▶ Selle el pasa cables instalado de fábrica con el enchufe incluido en la entrega estándar.

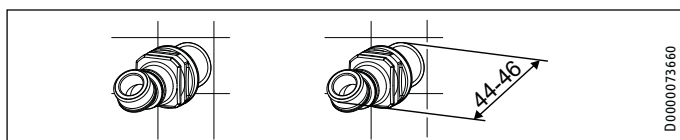
12.5 Instalación oculta, conexiones de agua

Necesitará los accesorios adecuados para llevar a cabo la instalación.

Consulte la sección 7.2, "Accesorios", pág. 29. El kit de instalación para conexiones de agua ocultas (no suministrado, número de parte 200017 - IW-Kit LA).

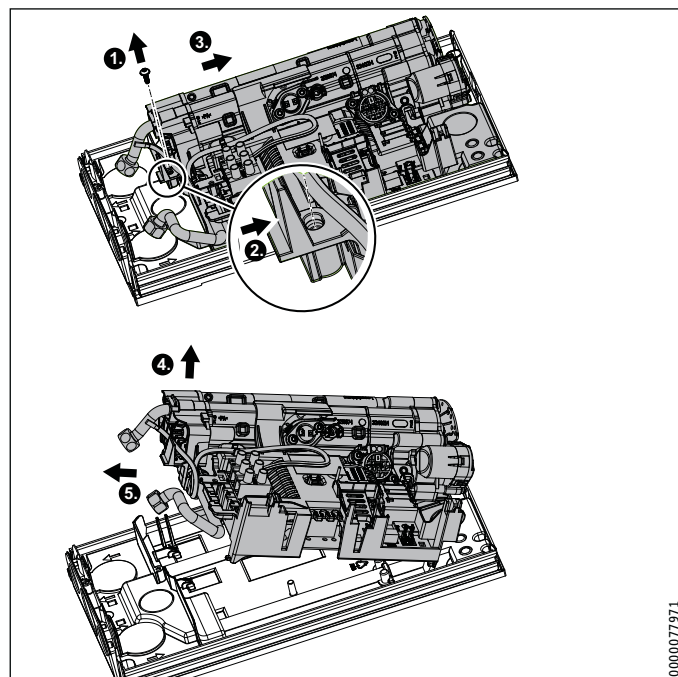
Preparación

- ▶ Desenrosque los conectores dobles (incluida la malla de filtro) unidos al calentador de agua de las tuberías de suministro de agua y déjelos a un lado (no se necesitan para esta instalación).



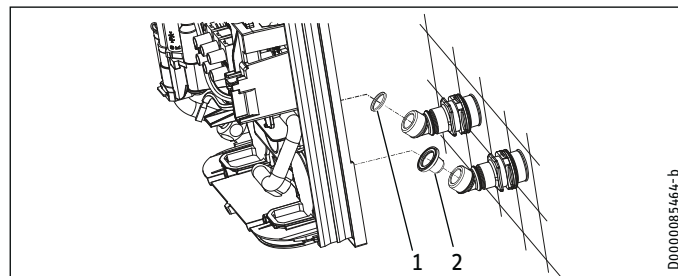
- ▶ Selle los conectores dobles de 45° del kit de instalación de conexión de agua oculta. Atornille los conectores dobles de 45° al conector de pared.

Para romper las aberturas en la cubierta posterior del calentador de agua, deberá quitar el módulo de funciones de la cubierta posterior.



- ▶ Desenrosque el tornillo y desenganche la pestaña de bloqueo.
- ▶ Empuje el módulo de funciones de la cubierta posterior suavemente hacia atrás.
- ▶ Retire el módulo de funciones de la cubierta posterior del calentador de agua tirando ligeramente hacia adelante y sacándolo.
- ▶ Empuje/separe las aberturas necesarias en la cubierta posterior desde atrás (para conocer las posiciones, consulte la sección 1.1, "Instrucciones de seguridad", pág. 26). Elimine los bordes afilados con una lima.
- ▶ Instale el módulo de funciones en orden inverso en la cubierta posterior del calentador de agua hasta que encaje en su lugar.
- ▶ Asegure el módulo de funciones con el tornillo.

Montaje del calentador de agua



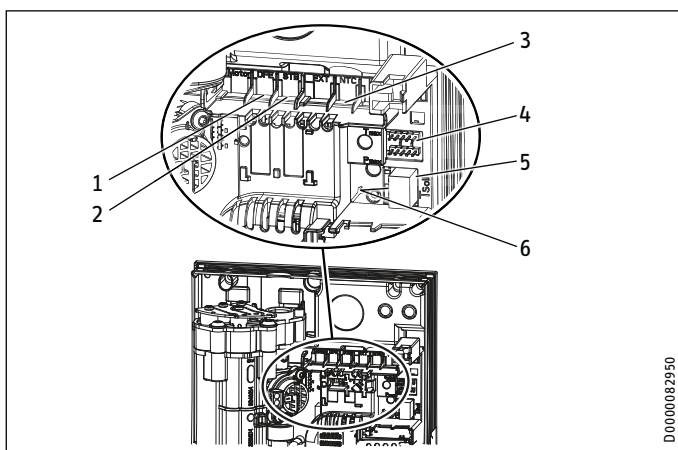
- 1 Junta plana
 - 2 Malla de filtro con borde sellado
- ▶ Marque los 4 agujeros de perforación, haciendo referencia a la posición en la cubierta posterior del calentador de agua.
 - ▶ Taladre los agujeros y fije el calentador de agua utilizando los anclajes de pared y los tornillos avellanados suministrados, Ø 4.5 mm, diámetro máx. de cabeza de tornillo 9 mm.
 - ▶ Asegure la tubería de conexión del ACS con una junta plana y la línea de entrada de agua fría con la malla de filtro de borde sellado (incluidos entre los accesorios) a los conectores dobles.

- ▶ Selle las aberturas de las conexiones de agua instaladas de fábrica con los tapones incluidos entre los accesorios.

- 4 Alojamiento de cables y cabecera para carga conectada y protección interna contra quemaduras
- 5 Enchufe de la unidad de programación
- 6 Luces de diagnóstico

13. Información para servicio técnico

Estado de conexiones/Estado de componentes



- 1 Medidor de flujo
- 2 Corte de seguridad por exceso del límite de temperatura, reinicio automático
- 3 Sensor NTC

14. Resolución de problemas



ADVERTENCIA Electrocutión

Nunca quite o reinstale la cubierta del calentador de agua sin cortar la electricidad que da servicio a la unidad. De lo contrario, podría sufrir lesiones personales o la muerte.



ADVERTENCIA Electrocutión

Para probar el calentador de agua con las luces de diagnóstico internas, este debe estar conectado a la fuente de alimentación.

Si realiza la prueba sin la cubierta, no toque ninguna parte del calentador de agua. Hacerlo podría provocar lesiones personales graves o la muerte.




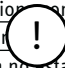
Note

Para probar el calentador de agua con las luces de diagnóstico, el agua debe estar fluyendo a través de la unidad.

Luces de diagnóstico

●○○○	Roja	Se ilumina en caso de falla
○○○●	Amarilla	Se ilumina en modo calentamiento./Parpadea cuando se alcanza el límite de salida
○○○●	Verde	Parpadea cuando el calentador de agua está conectado a la fuente de alimentación

Luces de diagnóstico	Problema	Causa	Solución
Ninguna LED encendida	El calentador de agua no calienta	No hay electricidad	Verifique el disyuntor principal en su tablero de distribución
		La PCI no funciona correctamente	Reemplace la PCI

Luces de diagnóstico	Problema	Causa	15.2 Limpieza de la malla de filtro
Verde intermitente, amarilla apagada, roja apagada	No hay agua caliente	La regadera/El aireador tiene	 ADVERTENCIA Quemaduras Al drenar el calentador de agua, es posible que se escape agua caliente.
		La malla de filtro de la entrada sucia	
		El medidor de flujo no está conectado	
Verde intermitente, amarilla encendida, roja apagada	La temperatura de salida no coincide con el valor establecido	El medidor de flujo no funciona correctamente	 Pérdidas materiales Para asegurarse de que el sistema de calentamiento Direct Connect no se dañe después de una interrupción en el suministro de agua, debe seguir estos pasos para reiniciar el calentador de agua:
		La PCI no funciona correctamente	
		La unidad de programación no estaba enchufada antes de encenderla	
Verde intermitente, amarilla apagada, roja encendida	No hay agua caliente sanitaria	El sensor de salida no funciona correctamente	Apague la alimentación eléctrica de la unidad en el panel de interruptores, asegurándose de que los interruptores de protección conectados estén en la posición "OFF" para evitar cualquier peligro de descarga eléctrica.
		El grifo no funciona correctamente	
		El sistema de calentamiento no funciona correctamente	
Verde intermitente, amarilla apagada, roja encendida	No hay agua caliente sanitaria	La PCI no funciona correctamente	Abra y cierre el grifo de agua caliente durante un total de tres minutos, hasta que no quede aire dentro del calentador de agua ni de la línea de entrada de agua fría.
		Se detectó la presencia de aire	
		El interruptor de seguridad AE3 no funciona correctamente	
Verde intermitente, amarilla apagada, roja encendida	No hay agua caliente sanitaria	El interruptor de seguridad AE3 se disparó por exceso del límite de temperatura	Vuelva a colocar los interruptores en la posición "ON" para reanudar la alimentación eléctrica a la AE3.
		El interruptor de seguridad AE3 se disparó nuevamente después de que se haya fijado el límite de temperatura por exceso del límite de temperatura no funciona correctamente	
		El interruptor de seguridad AE3 se disparó nuevamente después de que se haya fijado el límite de temperatura por exceso del límite de temperatura no funciona correctamente	
Verde intermitente, amarilla apagada, roja encendida	No hay agua caliente sanitaria	El interruptor de seguridad AE3 se disparó nuevamente después de que se haya fijado el límite de temperatura por exceso del límite de temperatura no funciona correctamente	15.2.1 Limpieza de la malla de filtro, instalación estándar no oculta
		El interruptor de seguridad AE3 se disparó nuevamente después de que se haya fijado el límite de temperatura por exceso del límite de temperatura no funciona correctamente	
		El interruptor de seguridad AE3 se disparó nuevamente después de que se haya fijado el límite de temperatura por exceso del límite de temperatura no funciona correctamente	
Verde intermitente, amarilla apagada, roja encendida	No hay agua caliente sanitaria	La PCI no funciona correctamente	15.2.2 Limpieza de la malla de filtro, instalación oculta
		Cortocircuito en el sensor de entrada	
		Cortocircuito en el sensor de salida	

15. Mantenimiento



ADVERTENCIA Electrocuación
Antes de realizar cualquier trabajo en el aparato, desconecte todos los polos de la fuente de alimentación.

15.1 Drenaje del calentador de agua

El calentador de agua se puede drenar para realizar trabajos de mantenimiento.



ADVERTENCIA Quemaduras
Al drenar el calentador de agua, es posible que se escape agua caliente.

- ▶ Cierre la válvula de la línea de entrada de agua fría.
- ▶ Abra todas las válvulas de salida.
- ▶ Desconecte las conexiones de agua del calentador de agua.
- ▶ Guarde el calentador de agua desmontado en un lugar donde no haya riesgo de escarcha, ya que los residuos de agua que quedan dentro del calentador de agua pueden congelarse y causar daños.

- ▶ Abra un grifo de agua caliente conectado para reducir la presión acumulada (esto minimizará las fugas al retirar la conexión de la entrada de agua fría).
- ▶ Desconecte el conector flexible de acero trenzado del accesorio de entrada de agua fría (derecha).
- ▶ Para quitar la malla de filtro de la parte inferior de la entrada de agua fría, inserte con cuidado un destornillador de cabeza plana justo por encima del borde de plástico de la malla de filtro y tire suavemente hacia abajo.
- ▶ Limpie la malla de filtro, vuelva a insertarla de manera segura en el accesorio de entrada de agua fría y vuelva a conectar el conector flexible de acero trenzado a la entrada de agua fría.
- ▶ Abra la válvula de cierre del suministro de agua fría.
- ▶ Abra el grifo de agua caliente durante unos minutos para sacar el aire de las tuberías y el calentador de agua. Mantenga el grifo abierto hasta que el flujo de agua sea continuo y se haya purgado todo el aire de las tuberías de agua.
- ▶ Encienda el interruptor para llevar energía eléctrica a la unidad.

15.2.1 Limpieza de la malla de filtro, instalación estándar no oculta

- ▶ Apague el interruptor para desconectar la alimentación del calentador de agua.
- ▶ Cierre la válvula de cierre para cortar el suministro de agua al calentador de agua.

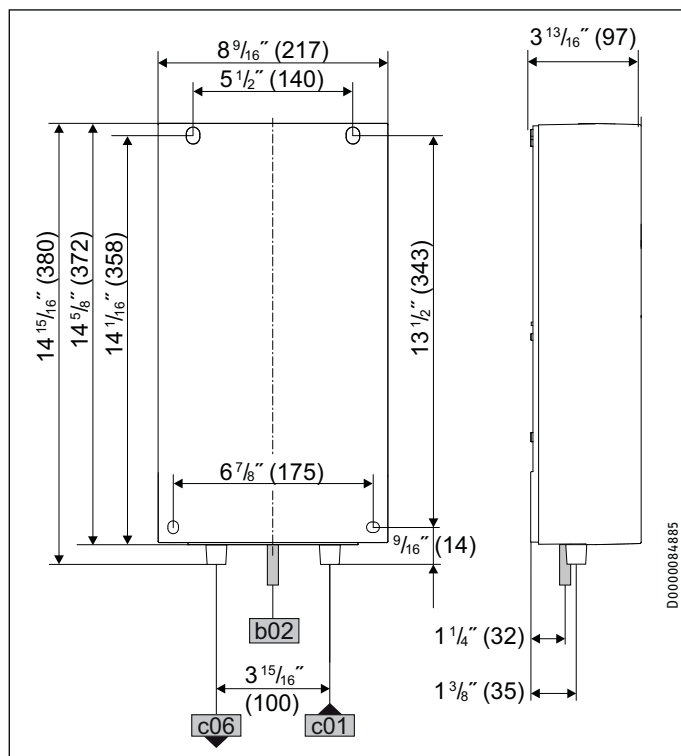
INSTALACIÓN

Especificaciones

- ▶ Abra un grifo de agua caliente conectado para reducir la presión acumulada (esto minimizará las fugas al retirar la conexión de la entrada de agua fría).
- ▶ Abra el calentador de agua aflojando el tornillo y levantando la cubierta desde la parte inferior.
- ▶ Desenrosque la tuerca de unión G3/8" del codo de la tubería de agua fría.
- ▶ Limpie la malla de filtro, ubicada entre la línea de entrada y el conector doble. (Compare con la imagen de la sección 12.5 sobre instalación oculta, conexiones de agua).
- ▶ Asegure la línea de entrada de agua fría con la malla de filtro de borde sellado.
- ▶ Abra la válvula de cierre del suministro de agua fría.
- ▶ Abra el grifo de agua caliente durante unos minutos para sacar el aire de las tuberías y el calentador de agua. Mantenga el grifo abierto hasta que el flujo de agua sea continuo y se haya purgado todo el aire de las tuberías de agua.
- ▶ Asegúrese de que no haya fugas de agua.
- ▶ Enganche la cubierta en la parte superior de la tapa trasera del calentador de agua. Empuje la tapa hacia abajo. Verifique que la cubierta esté bien asentada en la parte superior e inferior. Asegure la tapa con el tornillo.
- ▶ Encienda el interruptor para llevar energía eléctrica a la unidad.

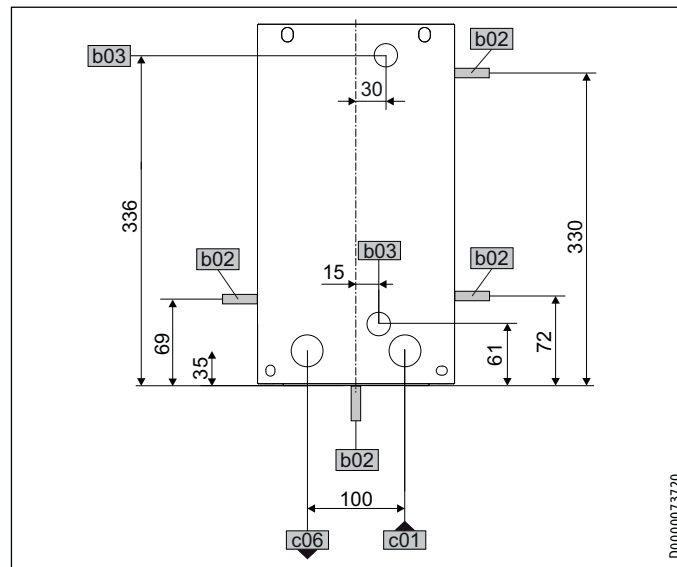
16. Especificaciones

16.1 Dimensiones y conexiones



		DCE Plus
b02	Cables eléctricos de entrada I	No oculto
c01	Entrada de agua fría	Rosca macho NPT de 1/2 pulg.
c06	Salida del ACS	Rosca macho NPT de 1/2 pulg.

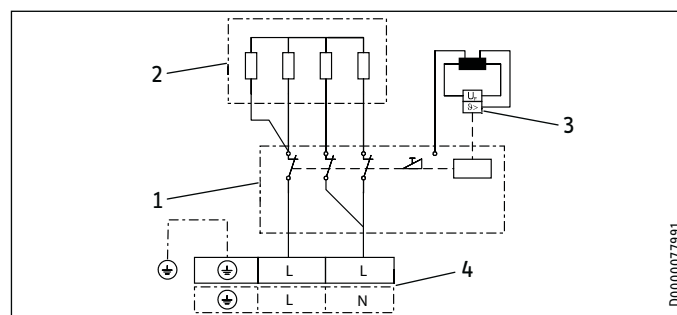
Opciones de conexión alternativas



		DCE Plus
b02	Cables eléctricos de entrada I	No oculto
b03	Cables eléctricos de entrada II	Oculto
c01	Entrada de agua fría	Rosca macho NPT de 1/2 pulg.
c06	Salida del ACS	Rosca macho NPT de 1/2 pulg.

16.2 Diagrama de cableado

DCE Plus	
ⓁⓁⓁ	2/ Tierra (GND) ~ 208 / 220 / 240 V
ⓁⓁN	1/Neutro/Tierra (GND) ~ 208 / 220 / 240 V



- 1 PCI de potencia con interruptor de seguridad integral
- 2 Sistema de calentamiento Direct Coil™
- 3 Corte de seguridad por exceso del límite de temperatura
- 4 Bloque de cableado

16.3 Salida del ACS

La salida del ACS depende de la fuente de alimentación conectada, la salida de potencia seleccionada del calentador de agua y la temperatura de entrada del agua fría. El voltaje nominal y la salida nominal se pueden encontrar en la placa de identificación.

Potencia de salida en kW	Salida del ACS a 100 °F en gpm			
Tensión nominal	Temperatura de entrada de agua fría			
	208 V	220 V	240 V	
				41 °F
				50 °F
				59 °F
				68 °F
5.4	0.61	0.74	0.90	1.14
7.2	0.82	0.98	1.19	1.51
	6.0	0.69	0.82	0.98
				1.27

INSTALACIÓN

Especificaciones

ESPAÑOL

Potencia de salida en kW			Salida del ACS a 100°F en gpm			
Tensión nominal			Temperatura de entrada de agua fría			
208 V	220 V	240 V	41°F	50°F	59°F	68°F
	8.0		0.92	1.08	1.32	1.66
		7.2	0.82	0.98	1.19	1.51
		9.6	1.11	1.29	1.59	2.01
11.8			1.35	1.59	1.93	2.48
	13.2		1.51	1.77	2.17	2.77
9.0			1.03	1.22	1.48	1.88
10.7			1.22	1.45	1.74	2.25
	10.0		1.14	1.35	1.64	2.09
	12.0		1.37	1.61	1.98	2.51
		12.0	1.37	1.61	1.98	2.51
		14.4	1.64	1.93	2.35	3.01

Potencia de salida en kW			Salida del ACS a 122°F en gpm			
Tensión nominal			Temperatura de entrada de agua fría			
208 V	220 V	240 V	41°F	50°F	59°F	68°F
5.4			0.45	0.50	0.58	0.69
7.2			0.61	0.69	0.77	0.90
	6.0		0.50	0.55	0.63	0.77
	8.0		0.66	0.77	0.87	1.00
		7.2	0.61	0.69	0.77	0.90
		9.6	0.79	0.90	1.03	1.22
11.8			0.98	1.11	1.27	1.48
	13.2		1.11	1.24	1.43	1.66
9.0			0.77	0.85	0.98	1.14
10.7			0.90	1.00	1.16	1.35
	10.0		0.85	0.95	1.08	1.27
	12.0		1.00	1.14	1.29	1.51
		12.0	1.00	1.14	1.29	1.51
		14.4	1.22	1.35	1.56	1.82

Potencia de salida en kW			Salida del ACS a 38°C en L/min			
Tensión nominal			Temperatura de entrada de agua fría			
208 V	220 V	240 V	5°C	10°C	15°C	20°C
5.4			2.3	2.8	3.4	4.3
7.2			3.1	3.7	4.5	5.7
	6.0		2.6	3.1	3.7	4.8
	8.0		3.5	4.1	5.0	6.3
		7.2	3.1	3.7	4.5	5.7
		9.6	4.2	4.9	6.0	7.6
11.8			5.1	6.0	7.3	9.4
	13.2		5.7	6.7	8.2	10.5
9.0			3.9	4.6	5.6	7.1
10.7			4.6	5.5	6.6	8.5
	10.0		4.3	5.1	6.2	7.9
	12.0		5.2	6.1	7.5	9.5
		12.0	5.2	6.1	7.5	9.5
		14.4	6.2	7.3	8.9	11.4

Potencia de salida en kW			Salida del ACS a 50°C en L/min			
Tensión nominal			Temperatura de entrada de agua fría			
208 V	220 V	240 V	5°C	10°C	15°C	20°C
5.4			1.7	1.9	2.2	2.6
7.2			2.3	2.6	2.9	3.4
	6.0		1.9	2.1	2.4	2.9
	8.0		2.5	2.9	3.3	3.8
		7.2	2.3	2.6	2.9	3.4
		9.6	3.0	3.4	3.9	4.6
11.8			3.7	4.2	4.8	5.6
	13.2		4.2	4.7	5.4	6.3

Potencia de salida en kW			Salida del ACS a 50°C en L/min			
Tensión nominal			Temperatura de entrada de agua fría			
208 V	220 V	240 V	5°C	10°C	15°C	20°C
9.0			2.9	3.2	3.7	4.3
10.7			3.4	3.8	4.4	5.1
	10.0		3.2	3.6	4.1	4.8
	12.0		3.8	4.3	4.9	5.7
		12.0	3.8	4.3	4.9	5.7
		14.4	4.6	5.1	5.9	6.9

16.4 Áreas de aplicación/tabla de conversión

Resistividad eléctrica y conductividad eléctrica

Especificación estándar a 15°C		20°C		25°C				
Resis- tividad $\sigma \leq$	Conductividad $\rho \geq$	Resis- tividad $\sigma \leq$	Conductividad $\rho \geq$	Resis- tividad $\sigma \leq$	Conductividad $\rho \geq$			
Ωcm	mS/m	$\mu\text{S/cm}$	Ωcm	mS/m	$\mu\text{S/cm}$			
1100	91	910	970	103	1031	895	112	1117

16.5 Caída de presión, cómo calcular el tamaño de la tubería

Para calcular el tamaño de la tubería, se recomienda una caída de presión al calentador de agua de 14.5 psi (0.1 MPa).

16.6 Condiciones de falla

En caso de falla, durante la instalación pueden ocurrir brevemente temperaturas de hasta 176 °F (80 °C) a una presión de 145 psi (1.0 MPa).

INSTALACIÓN

Especificaciones

16.7 Tabla de datos

		DCE 10 Plus			DCE 13 Plus		DCE 15 Plus		
		238150			238151		238152		
Datos eléctricos									
Tensión nominal	V	208	220	240	208	220	208	220	240
Salida nominal ¹	kW	5.4/7.2	6.0/8.0	7.2/9.6	11.8	13.2	9.0/10.8	10.0/12.0	12.0/14.4
Corriente nominal	A	26.0/34.6	27.3/36.4	30.0/40.0	56.7	60.0	43.3/52.0	45.5/54.5	50.0/60.0
Tamaño de disyuntor recomendado ²	A	30/35	30/40	30/40	60		50/60		
Tamaño mín. de cable recomendado ³ (Cobre AWG)		8			6		6		
Frecuencia	Hz	50/60			50/60		50/60		
Fase		1/N/GND 2/GND			1/N/GND 2/GND		1/N/GND 2/GND		
Resistividad $\rho_{15} \geq$	Ω cm	1100			1100		1100		
Conductividad $\sigma_{15} \leq$	μ S/cm	910			910		910		
Impedancia máx. de red a 50 Hz	Ω	0.0407	0.0385	0.0353	0.0248	0.0234	0.0272	0.0257	0.0235
Conexiones									
Conexión de agua		NPT de 1/2 pulg.			NPT de 1/2 pulg.		NPT de 1/2 pulg.		
Límites de aplicación									
Presión máx. permisible	psi (MPa)	145 (1)			145 (1)		145 (1)		
Presión mín. permisible	psi (MPa)	26.1 (0.18)			26.1 (0.18)		26.1 (0.18)		
Temperatura máx. de entrada para recalentar	$^{\circ}$ F ($^{\circ}$ C)	131 (55)			131 (55)		131 (55)		
Rango de ajuste de temperatura	$^{\circ}$ F ($^{\circ}$ C)	68-140 (20-60)			68-140 (20-60)		68-140 (20-60)		
Valores									
Temperatura máx. de entrada (p. ej., pasteurización)	$^{\circ}$ F ($^{\circ}$ C)	158 (70)			158 (70)		158 (70)		
Tasa de activación	gpm (l/min)	0.264 (1.0)			0.264 (1.0)		0.264 (1.0)		
Datos hidráulicos									
Capacidad nominal	gal (l)	0.07 (0.277)			0.07 (0.277)		0.07 (0.277)		
Versiones									
Potencia de salida ajustable		Sí			No		Sí		
Clase de protección		1			1		1		
Bloque aislante		Plástico			Plástico		Plástico		
Sistema de calentamiento		Direct Coil™			Direct Coil™		Direct Coil™		
Cubierta y cubierta trasera		Plásticas			Plásticas		Plásticas		
Color		Blanco			Blanco		Blanco		
Clasificación de IP		IP 24			IP 24		IP 24		
Dimensiones									
Altura	pulg. (mm)	14 5/8" (372)			14 5/8" (372)		14 5/8" (372)		
Ancho	pulg. (mm)	8 9/16" (217)			8 9/16" (217)		8 9/16" (217)		
Profundidad	in (mm)	4 5/16" (109)			4 5/16" (109)		4 5/16" (109)		
Pesos									
Peso	lb (kg)	5.5 (2.50)			5.5 (2.50)		5.5 (2.50)		

¹ Para las unidades con potencia de salida ajustable, la configuración predeterminada de fábrica es la posición del puente 2 [alta].

² Protección contra sobrecargas dimensionada al 100% de la carga. Los calentadores de agua sin tanque se consideran una carga no continua. Utilice solo disyuntores para tomas GFCI Clase A.

³ Se deben utilizar conductores de cobre con una temperatura nominal de 75 °C o superior. Los conductores deben dimensionarse para mantener una caída de voltaje de menos del 3 % bajo carga.

Estas son nuestras recomendaciones. Verifique los códigos locales si es necesario.



Nota

El calentador de agua cumple con los requisitos IEC 61000-3-12.

17. Garantía

GARANTÍA RESIDENCIAL Y COMERCIAL: Stiebel Eltron garantiza al propietario original que el calentador de agua instantáneo estará libre de defectos en los materiales y la mano de obra por un período de tres (3) años a partir de la fecha de compra.

En caso de que se demuestre que la(s) parte(s) son defectuosas durante el uso normal durante este período, Stiebel Eltron, Inc. será responsable de reemplazar solo las partes defectuosas. Stiebel Eltron, Inc. no es responsable de los cargos de mano de obra para eliminar y/o reemplazar las piezas defectuosas, ni de ningún gasto incidental o indirecto. Stiebel Eltron no es responsable del daño al calentador de agua instantáneo causado por problemas en la calidad del agua, como aguas corrosivas, aguas duras y aguas contaminadas con contaminantes o aditivos.

Si el propietario desea devolver el calentador de agua instantáneo para su reparación, primero debe obtener una autorización por escrito de Stiebel Eltron, Inc. El propietario deberá presentar un comprobante de la fecha de compra y pagar todos los costos de transporte para devolver la(s) pieza(s) defectuosa(s) o calentador de agua instantáneo para su reparación o reemplazo. La garantía es nula si el calentador de agua se instaló o usó incorrectamente o si el diseño se modificó de alguna manera.

Las garantías pueden variar según el país. Consulte a su representante local de Stiebel Eltron para obtener la garantía de su país.

STIEBEL ELTRON, INC.

17 West Street

West Hatfield, MA 01088, USA

Tél: 800-582-8423 o 413-247-3380

Fax: 413-247-3369

Email: info@stiebeltronamericas.com

www.stiebeltronamericas.com



La instalación, la conexión eléctrica y la primera operación de este aparato deben ser realizadas por un instalador calificado.



La compañía no se hace responsable por la falla de cualquier producto suministrado que no haya sido instalado y operado de acuerdo con las instrucciones del fabricante.

Medio ambiente y reciclaje

Ayúdenos a proteger el medio ambiente eliminando el embalaje de acuerdo con las reglamentaciones nacionales para el procesamiento de residuos.

Deutschland

STIEBEL ELTRON GmbH & Co. KG
Dr.-Stiebel-Straße 33 | 37603 Holzminden
Tel. 05531 702-0 | Fax 05531 702-480
info@stiebel-eltron.de
www.stiebel-eltron.de

Verkauf

Tel. 05531 702-110 | Fax 05531 702-95108 | info-center@stiebel-eltron.de

Kundendienst

Tel. 05531 702-111 | Fax 05531 702-95890 | kundendienst@stiebel-eltron.de

Ersatzteilverkauf

Tel. 05531 702-120 | Fax 05531 702-95335 | ersatzteile@stiebel-eltron.de

Australia

STIEBEL ELTRON Australia Pty. Ltd.
294 Salmon Street | Port Melbourne VIC 3207
Tel. 03 9645-1833 | Fax 03 9645-4366
info@stiebel.com.au
www.stiebel.com.au

Austria

STIEBEL ELTRON Ges.m.b.H.
Gewerbegebiet Neubau-Nord
Margaritenstraße 4 A | 4063 Hörsching
Tel. 07221 74600-0 | Fax 07221 74600-42
info@stiebel-eltron.at
www.stiebel-eltron.at

Belgium

STIEBEL ELTRON bvba/sprl
't Hofveld 6 - D1 | 1702 Groot-Bijgaarden
Tel. 02 42322-22 | Fax 02 42322-12
info@stiebel-eltron.be
www.stiebel-eltron.be

China

STIEBEL ELTRON (Tianjin) Electric Appliance
Co., Ltd.
Plant C3, XEDA International Industry City
Xiqing Economic Development Area
300085 Tianjin
Tel. 022 8396 2077 | Fax 022 8396 2075
info@stiebel-eltron.cn
www.stiebel-eltron.cn

Czech Republic

STIEBEL ELTRON spol. s r.o.
K Hájiřm 946 | 155 00 Praha 5 - Stodůlky
Tel. 251116-111 | Fax 235512-122
info@stiebel-eltron.cz
www.stiebel-eltron.cz

Finland

STIEBEL ELTRON OY
Kapinakuja 1 | 04600 Mäntsälä
Tel. 020 720-9988
info@stiebel-eltron.fi
www.stiebel-eltron.fi

France

STIEBEL ELTRON SAS
7-9, rue des Selliers
B.P 85107 | 57073 Metz-Cédex 3
Tel. 0387 7438-88 | Fax 0387 7468-26
info@stiebel-eltron.fr
www.stiebel-eltron.fr

Hungary

STIEBEL ELTRON Kft.
Gyár u. 2 | 2040 Budaörs
Tel. 01 250-6055 | Fax 01 368-8097
info@stiebel-eltron.hu
www.stiebel-eltron.hu

Japan

NIHON STIEBEL Co. Ltd.
Kowa Kawasaki Nishiguchi Building 8F
66-2 Horikawa-Cho
Saiwai-Ku | 212-0013 Kawasaki
Tel. 044 540-3200 | Fax 044 540-3210
info@nihonstiebel.co.jp
www.nihonstiebel.co.jp

Netherlands

STIEBEL ELTRON Nederland B.V.
Daviottenweg 36 | 5222 BH 's-Hertogenbosch
Tel. 073 623-0000 | Fax 073 623-1141
info@stiebel-eltron.nl
www.stiebel-eltron.nl

Poland

STIEBEL ELTRON Polska Sp. z O.O.
ul. Działkowa 2 | 02-234 Warszawa
Tel. 022 60920-30 | Fax 022 60920-29
biuro@stiebel-eltron.pl
www.stiebel-eltron.pl

Russia

STIEBEL ELTRON LLC RUSSIA
Urzhumskaya street 4,
building 2 | 129343 Moscow
Tel. 0495 7753889 | Fax 0495 7753887
info@stiebel-eltron.ru
www.stiebel-eltron.ru

Slovakia

TATRAMAT - ohrievače vody s.r.o.
Hlavná 1 | 058 01 Poprad
Tel. 052 7127-125 | Fax 052 7127-148
info@stiebel-eltron.sk
www.stiebel-eltron.sk

Switzerland

STIEBEL ELTRON AG
Industrie West
Gass 8 | 5242 Lupfig
Tel. 056 4640-500 | Fax 056 4640-501
info@stiebel-eltron.ch
www.stiebel-eltron.ch

Thailand

STIEBEL ELTRON Asia Ltd.
469 Moo 2 Tambol Klong-Jik
Amphur Bangpa-In | 13160 Ayutthaya
Tel. 035 220088 | Fax 035 221188
info@stiebel-eltronasia.com
www.stiebel-eltronasia.com

United Kingdom and Ireland

STIEBEL ELTRON UK Ltd.
Unit 12 Stadium Court
Stadium Road | CH62 3RP Bromborough
Tel. 0151 346-2300 | Fax 0151 334-2913
info@stiebel-eltron.co.uk
www.stiebel-eltron.co.uk

United States of America

STIEBEL ELTRON, Inc.
17 West Street | 01088 West Hatfield MA
Tel. 0413 247-3380 | Fax 0413 247-3369
info@stiebel-eltron-usa.com
www.stiebel-eltron-usa.com



Irrtum und technische Änderungen vorbehalten! | Subject to errors and technical changes! | Sous réserve d'erreurs et de modifications techniques! | Onder voorbehoud van vergissingen en technische wijzigingen! | Salvo error o modificación técnica! | Excepto erro ou alteração técnica | Zastrzeżone zmiany techniczne i ewentualne błędy | Omyly a technické změny jsou vyhrazeny! | A muszaki változtatások és tévedések jogát fenntartjuk! | Отсутствие ошибок не гарантируется. Возможны технические изменения. | Chyby a technické zmeny sú vyhradené! | Stand 9442

STIEBEL ELTRON