

Features

- Optimized sprayface for maximum performance
- MasterClean™ sprayface features an easy-to-clean surface that withstands mineral buildup
- 1/2" NPT connection
- 5-15/16" (151 mm) diameter sprayface
- 2.0 gpm (7.6 l/min) maximum flow rate

Technology

- Katalyst™ air-induction technology infuses water with air, creating bigger drops for a more powerful spray
- Katalyst™ air-induction technology infuses water with air, creating bigger drops for a more powerful spray

Installation

- Shower arm and flange sold separately

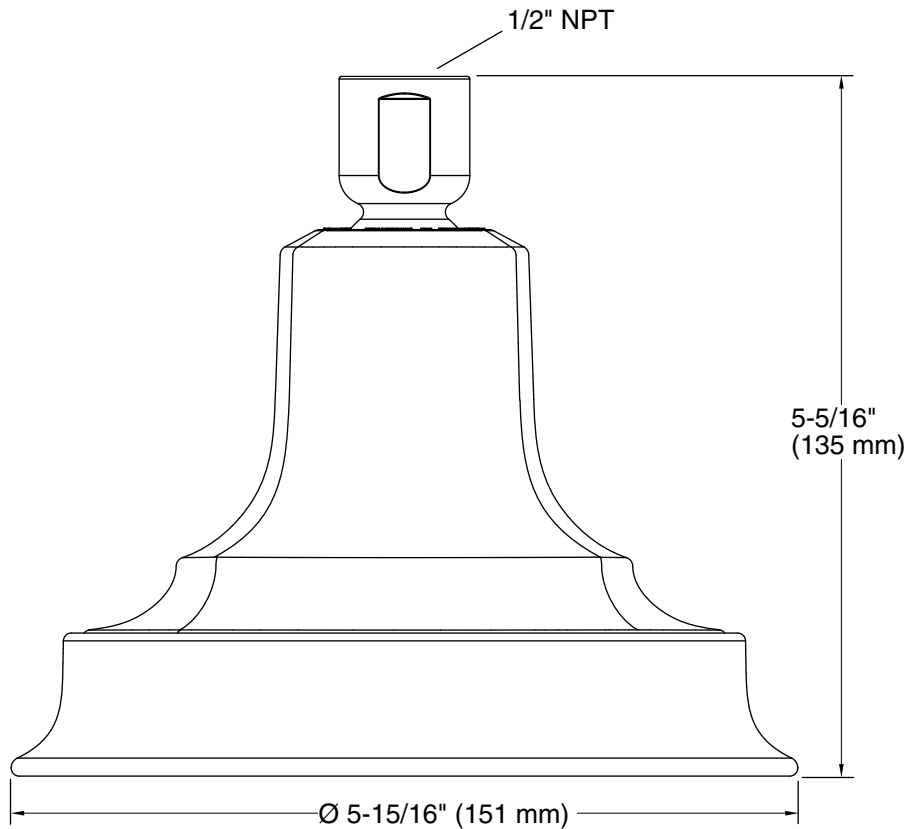


Codes/Standards

ASME A112.18.1/CSA B125.1
DOE - Energy Policy Act 1992
EPA WaterSense™

KOHLER® Faucet Lifetime Limited Warranty

See website for detailed warranty information.



Technical Information

All product dimensions are nominal.

Showerhead/Body Spray:

Rated maximum flow: 2 gal/min (7.6 l/min)

flow:

Pressure: 80 psi (5.5 bar)

Notes

For use with automatic compensating valves rated at 1.7 gal/min (6.4 l/min) or less.

Install this product according to the installation guide.