

### Features

- Single bowl
- 9-1/2" (241 mm) depth provides generous workspace
- Includes one faucet hole and option for three additional holes for knockout with ball-peen hammer and punch
- Includes K-6109 bottom sink rack
- Optional K-5376 bottom sink rack (sold separately)
- Matte finish offers rich, dimensional color

### Material

- KOHLER Neoroc® composite is durable and built to withstand day-to-day cleaning tasks
- Solid color throughout the sink
- Heat-resistant up to 750°F
- Scratch-, stain-, chip-, and thermal-shock-resistant

### Installation

- 36" minimum base cabinet width for undermount or top-mount installation
- Cutout templates included
- Top-mount or undermount

### Recommended Products/Accessories

K-5376 Sink Rack  
K-6109 Sink Rack  
K-8801 Sink drain and strainer with tailpiece  
K-8799 Sink drain and strainer basket  
K-23726 Drain treatment  
K-23730 Neoroc® cleaner

### Optional Products/Accessories

K-11352 Disposal Flange with Stopper  
K-9000 P-Trap

### Included Components

K-6109 Sink Rack



### Codes/Standards



CSA B45.5/IAPMO Z124

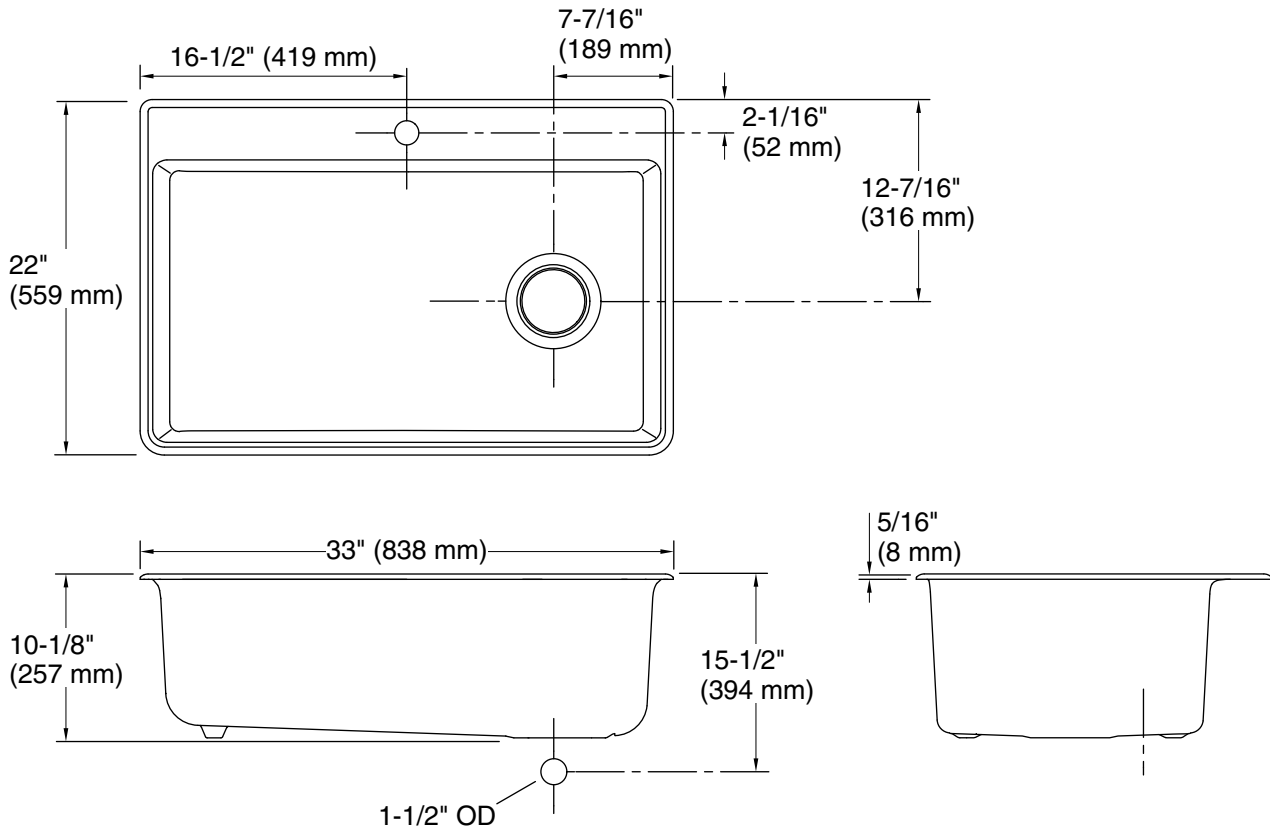
### KOHLER® Neoroc® Sinks Lifetime Limited Warranty

See website for detailed warranty information.

### Available Colors/Finishes

*Color tiles intended for reference only.*

Color	Code	Description
	CM1	Matte Black
	CM3	Matte Taupe



## Technical Information

All product dimensions are nominal.

Installation:	Top-mount, Undermount
Min. base cabinet width:	36" (914 mm)
Bowl area:	Length: 31-1/8" (791 mm) Width: 16-15/16" (430 mm) Bowl depth: 9-1/2" (241 mm) Water depth: 9-1/2" (241 mm)
Drain hole:	3-7/8" (98 mm)
Template:	1281757-7, required, included

## Notes

Install this product according to the installation instructions.