

### Features

- 9-7/16" (240 mm) nondiverter spout with NPT connection
- 1-1/2" max hole diameter
- Coordinates with Components faucets, accessories, and showering components to complete your bathroom

### Material

- Premium metal construction for durability and reliability
- KOHLER finishes resist corrosion and tarnishing

### Installation

- Wall-mount

### Recommended Products/Accessories

- K-78372 18" Towel Bar
- K-78373 24" Towel Bar
- K-78375 24" Double Towel Bar
- K-78377 Hand Towel Arm
- K-78378 Robe Hook
- K-78379 Double Towel Arm
- K-78382 Pivoting toilet paper holder
- K-78383 Vertical toilet paper holder
- K-78384 Covered double toilet paper holder



### Codes/Standards





ASME A112.18.1/CSA B125.1

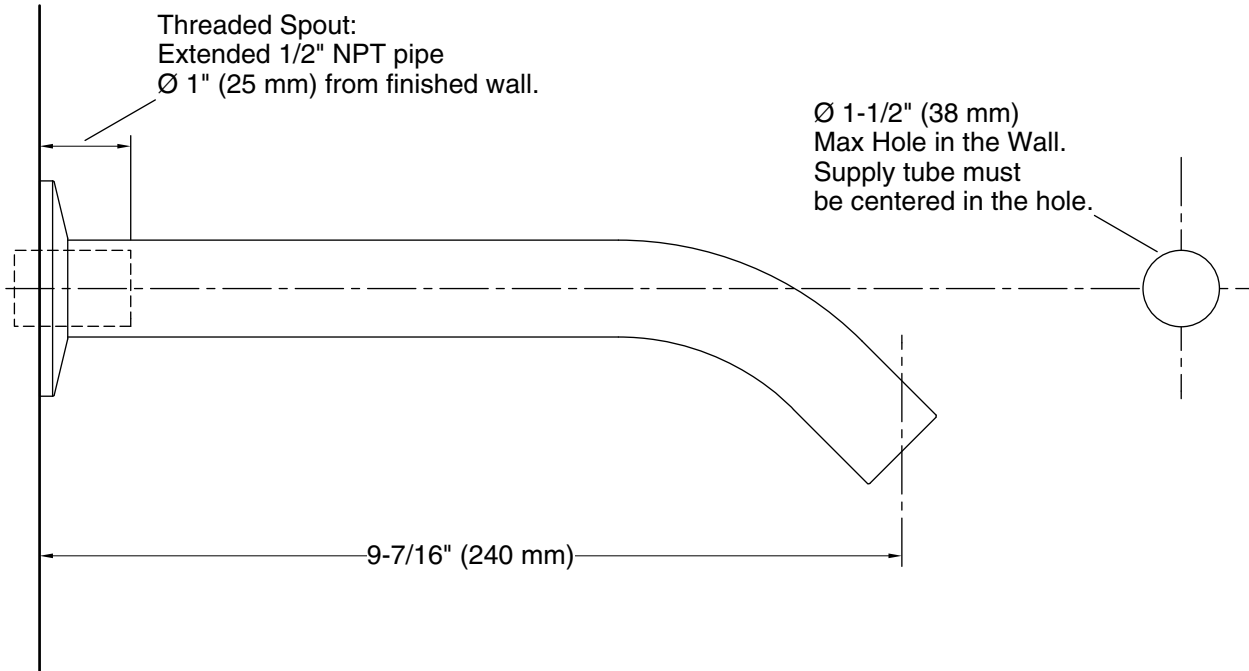
### KOHLER® Faucet Lifetime Limited Warranty

See website for detailed warranty information.

### Available Colors/Finishes

*Color tiles intended for reference only.*

Color	Code	Description
	CP	Polished Chrome
	BN	Vibrant™ Brushed Nickel
	BL	Matte Black
	2MB	Vibrant™ Brushed Moderne Brass



### Technical Information

All product dimensions are nominal.

Drain included: No

### Spout:

Spout reach: 9-7/16" (240 mm)

### Notes

Install this product according to the installation instructions.