

### Features

- Metal construction
- One-piece, self-contained ceramic disc valve allows both volume and temperature control
- Pop-up drain with lift rod and tailpiece
- 5" (127 mm) spout reach
- Stationary spout
- Lever handle
- Includes a 6-1/4" (159 mm) escutcheon plate for three-hole bathroom sinks
- 1.2 gpm (4.5 lpm) maximum flow rate at 60 psi (4.14 bar)

### Installation

- Single-hole installation



ADA

CSA B651

OBC

### Codes/Standards

ASME A112.18.1/CSA B125.1

NSF/ANSI/CAN 61

NSF/ANSI/CAN 372

All applicable US Federal and State material regulations

DOE - Energy Policy Act 1992

EPA WaterSense™

California Energy Commission (CEC)

ADA

ICC/ANSI A117.1

CSA B651

OBC

### KOHLER® Faucet Lifetime Limited Warranty

See website for detailed warranty information.

### Available Colors/Finishes

*Color tiles intended for reference only.*

Color	Code	Description
-------	------	-------------



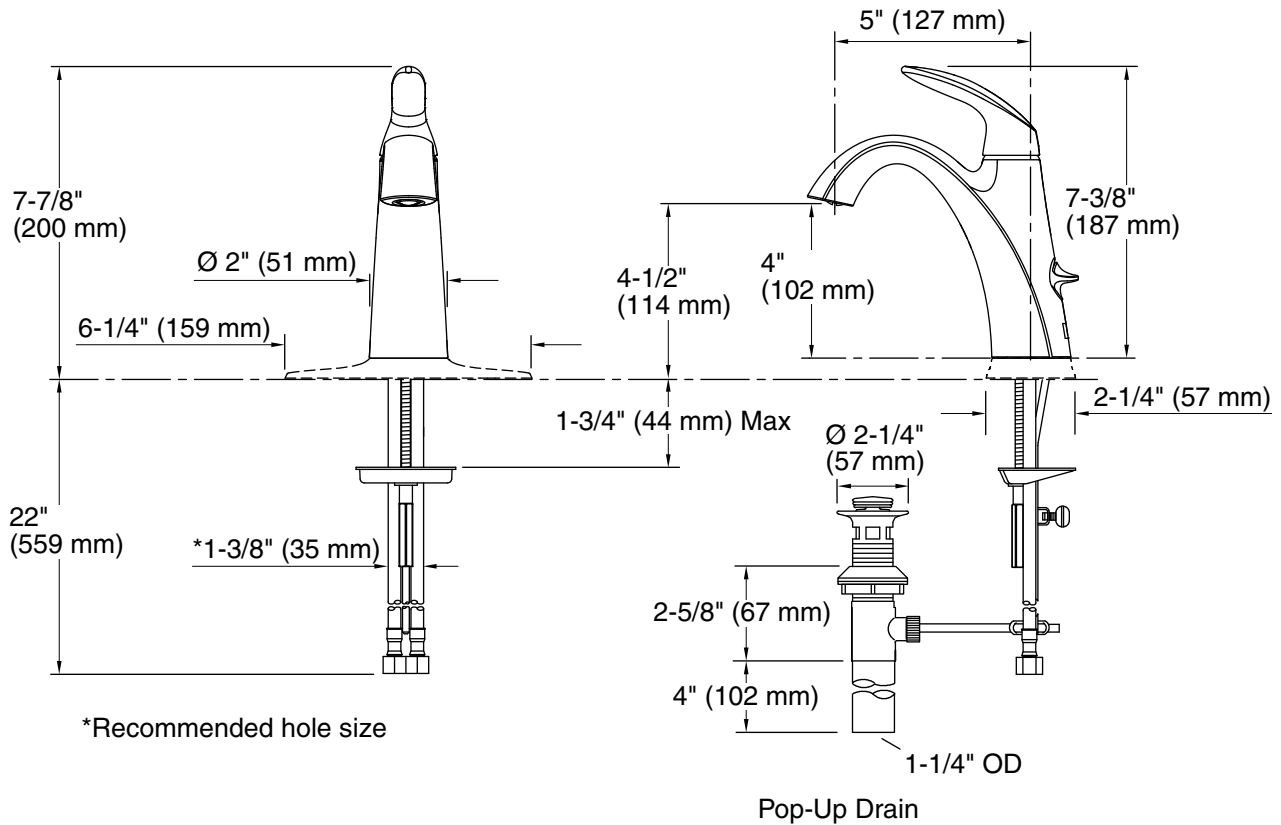
CP Polished Chrome



BN Vibrant™ Brushed Nickel



2BZ Oil-Rubbed Bronze



## Technical Information

All product dimensions are nominal.

### Faucet:

Flow rate: 1.2 gal/min (4.5 l/min)

Pressure: 60 psi (4.1 bar)

Drain included: Yes

### Spout:

Spout reach: 4-1/2" (115 mm)

## Notes

Install this product according to the installation guide.

If possible, install the faucet and drain to the bathroom sink before installing the sink.

ADA compliant for handles only.

ADA, OBC, CSA B651 compliant when installed to the specific requirements of these regulations.